



### B5107-Series Butterfly Valve

#### Applications

- Quarter turn valve is used to isolate and regulate the flow of fluid in processing pipelines
- They are found in the pharmaceutical, biochemical, cosmetic, food processing, beverage, and some dairy markets

#### Sizes

- 1/2", 3/4", 1", 1-1/2", 2", 2-1/2", 3", 4", 6", 8"

#### Certification/Compliance for rubber seats

- FDA: 21 CFR 177.2600
- 3A: sanitary standard 18-03 Class II (low fat) compliant
- United States Pharmacopeia (USP): 87 & 88 Class VI
- European Regulation: EC 1935/2004
- REACH: in accordance with EC 1907/2006
  - Does not contain any substances above 0.1% (w/w) from:  
The Candidate List of Substances of Very High Concern, Annex XVII
- Animal derived ingredient free
- Phthalate free

#### Features








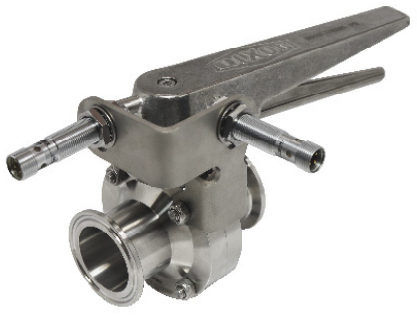


- Hex head body bolts eliminate cavities of socket head screw
- High performance seat design increases seal life
- Large disc stem decreases chance of stem deformation
- Large range of options for operating devices and accessories

#### Specifications

- Standard connections: clamp, weld
- Available optional connections:
  - Female I-line, male I-line, threaded bevel, plain bevel, Q-line, John Perry threaded
- Valve data
  - Maximum pressure:
    - 1/2" to 2": **140 PSI**
    - 2-1/2" to 3": **110 PSI**
    - 4": **85 PSI**
    - 6" to 8": **60 PSI**
  - Maximum product line pressure: 0.4" Hg vacuum (absolute) at **68°F (20°C)**
  - Maximum operating temperature: **200°F (93°C)**
  - Minimum operating temperature: **15°F (-9°C)**
  - Valve stem square size:
    - 1/2" to 4": 10mm
    - 6": 13mm
    - 8": 14mm
- Materials of construction
  - Product contact metal components: 316L forged stainless steel
  - Non-product contact metal components: 304 stainless steel
  - Product contact seals: EPDM, silicone, FKM
- Surface finish
  - Product contact metal components: ≤ 32 Ra (standard), 20 Ra, 15 Ra optional
  - Non-product contact metal components: ≤ 32 Ra
  - Seat lubricant: MOLYKOTE 111



**B5107-Series Butterfly Valve - Manual Operating Device and Accessories**

<p><b>Pull Handle</b></p>	<p><b>Pull Handle with Limit Switch for Position Detection</b></p>	<p><b>Pull Handle with External Proximity Sensors for Position Detection (Lockout Capable)</b></p>
		
<p><b>Infinite Handle</b></p>	<p><b>Infinite Handle with Limit Switch for Position Detection</b></p>	<p><b>Infinite Handle with External Proximity Sensors for Position Detection (Lockout Capable)</b></p>
		
<p><b>Multiposition Trigger Handle (Lockout Capable)</b></p>	<p><b>Multiposition Trigger Handle with External Proximity Sensors for Position Detection (Lockout Capable)</b></p>	
		
<p><b>Pull Handle Stem Extension</b></p>	<p><b>Infinite Handle Stem Extension</b></p>	
		

**B5107-Series Butterfly Valve - Pneumatic & Electric Operating Devices and Accessories**

Stainless Steel Canister Actuator (Spring Return or Double Acting)	Stainless Steel Canister Actuator with External Proximity Position Detection	Stainless Steel Canister Actuator with Burkert Control Top
		
Aluminum Rack and Pinion Actuator (Spring Return or Double Acting)	Aluminum Rack and Pinion Actuator with Limit Switch for Position Detection	Electric Actuator (Power Open/Power Close)
		

### Flow Coefficients (Cv) (Based on water at 68°F)

Valve Size	Flow Coefficient (Cv)	Valve Size	Flow Coefficient (Cv)
1/2"	7	2-1/2"	264
3/4"	11	3"	372
1"	23	4"	800
1-1/2"	80	6"	1200
2"	230	8"	2800

### Valve Break Torque (Based on water at 68°F)

Valve Size	Break Torque (in-lbs.) Silicone	Break Torque (in-lbs.) EPDM	Break Torque (in-lbs.) FKM
1/2"	20	13	70
3/4"	20	13	70
1"	20	13	70
1-1/2"	35	20	125
2"	35	48	175
2-1/2"	133	98	220
3"	133	146	310
4"	266	341	450
6"	775	830	NA
8"	1106	1106	NA

### Pressure Drop Chart (PSI)

(Based on Water at 68°F)

Capacity (US-GPM)	Valve Size (in)									
	1/2"	3/4"	1"	1-1/2"	2"	2-1/2"	3"	4"	6"	8"
5	7	5								
10		2.5	0.2	0.0						
50			4.7	0.4						
90			15.3	1.3	0.2					
130				2.6	0.3	0.2				
170				4.5	0.5	0.4	0.2			
210				6.9	0.8	0.6	0.3			
250				9.8	1.2	0.9	0.5			
290					1.6	1.2	0.6			
330					2.1	1.6	0.8	0.2		
370					2.6	2.0	1.0	0.2		
410					3.2	2.4	1.2	0.3		
450					3.8	2.9	1.5	0.3		
490					4.5	3.4	1.7	0.4	0.2	
530						4.0	2.0	0.4	0.2	
570						4.7	2.3	0.5	0.2	
610						5.3	2.7	0.6	0.3	
650						6.1	3.1	0.7	0.3	
690						6.8	3.4	0.7	0.3	
730							3.9	0.8	0.4	
770							4.3	0.9	0.4	
810							4.7	1.0	0.5	
850							5.2	1.1	0.5	
890							5.7	1.2	0.6	
930							6.3	1.4	0.6	
970								1.5	0.7	
1010								1.6	0.7	
1050								1.7	0.8	
1090								1.9	0.8	0.2
1130								2.0	0.9	0.2
1170								2.1	1.0	0.2
1210								2.3	1.0	0.2
1250								2.4	1.1	0.2
1290								2.6	1.2	0.2
1330								2.8	1.2	0.2
1370								2.9	1.3	0.2
1410								3.1	1.4	0.3
1450								3.3	1.5	0.3
1490								3.5	1.5	0.3
1530								3.7	1.6	0.3
1570								3.9	1.7	0.3
1610								4.1	1.8	0.3
1650								4.3	1.9	0.3

$$\Delta P = \left[ \frac{\text{GPM}}{C_v} \right]^2 G$$

### B5107-Series Butterfly Valve - Part Number Key

B5107-Series Butterfly Valve Part Number Key Example: B5107E050CC-A__		Series	Seat Material	Size	Connection End	Connection End	*	Actuation	Control Unit/Feedback	Finish Options
		B5107	E	050	C	C	-	A		
<b>Series</b>	<b>Code</b>									
B5107	B5107									
<b>Seat Material</b>	<b>Code</b>									
EPDM	E									
Silicone	S									
FKM	V									
EPDM/PTFE	X									
FKM/PTFE	Y									
Silicone/PTFE	Z									
<b>Size</b>	<b>Code</b>									
1/2"	050									
3/4"	075									
1"	100									
1-1/2"	150									
2"	200									
2-1/2"	250									
3"	300									
4"	400									
6"	600									
8"	800									
<b>Connections (choose connection for each side)</b>	<b>Code</b>									
Clamp (standard)	C									
Weld	B									
Female I-line	F									
Flange	K									
Male I-line	M									
Threaded bevel	T									
Plain bevel with nut	P									
Q-line	Q									
John Perry plain	J									
John Perry Threaded	H									
Female NPT	1									
Male NPT	2									
DIN male	3									
DIN weld liner/nut	4									
SMS male	5									
SMS welding liner	6									
<b>Actuation</b>	<b>Code</b>									
Manual handle - 4 position standard handle	A									
Manual handle - infinite position handle	B									
Manual handle - 13 position trigger handle	C									
Extended manual handle - 4 position standard handle	8									

\*NOTE: Only use a dash (-) in the part number if using a manual handle with no options, otherwise dash is eliminated.

**B5107-Series Butterfly Valve - Part Number Key (continued)**

<b>B5107-Series Butterfly Valve Part Number Key</b> Example: B5107E050CC-A__		Series	Seat Material	Size	Connection End	Connection End	*	Actuation	Control Unit/ Feedback	Finish Options
		B5107	E	050	C	C	-	A		
<b>Actuation (continued)</b>	<b>Code</b>									
Extended manual handle-infinite position handle	9									
24VDC electric (power open/power close)	D									
110VAC electric (power open/power close)	E									
Normally open linear pneumatic vertical canister	F									
Normally closed linear pneumatic vertical canister	G									
Air to air linear pneumatic vertical canister	H									
Air to air pneumatic rack and pinion SS	J									
Normally closed pneumatic rack and pinion SS	K									
Normally open pneumatic rack and pinion SS	L									
Air to air pneumatic rack and pinion AL	M									
Normally closed pneumatic rack and pinion AL	N									
Normally open pneumatic rack and pinion AL	P									
Normally closed, dead man handle	Q									
220VAC electric (power open/power close)	R									
Normally closed pneumatic rack and pinion AL (oversized)	S									
24VAC electric (power open/power close)	T									
110VAC electric (4-20mA input/output modulating controller)	U									
24VDC electric (4-20mA input/output modulating controller)	V									
24VDC electric (power open/power close, 2 extra switches)	W									
24VDC electric (4-20mA input/output modulating controller, oversized)	X									
24VDC electric (75% duty cycle, oversized)	Y									
Normally closed pneumatic rack and pinion TP	Z									
12VDC electric (power open/power close)	1									
110VAC electric (power open/power closed, undersized)	2									
Air to air pneumatic rack and pinion AL (oversized)	3									
Air to air pneumatic rack and pinion AL (double oversized)	4									
Normally closed pneumatic rack and pinion AL (double oversized)	5									
24VDC electric (4-20mA input/o-10V output modulating controller)	6									



### B5107-Series Butterfly Valve - Part Number Key (continued)

B5107-Series Butterfly Valve Part Number Key Example: B5107E050CC-A__		Series	Seat Material	Size	Connection End	Connection End	* Actuation	Control Unit/ Feedback	Finish Options
		B5107	E	050	C	C	- A		
110VAC electric (power open/power close, 2 extra switches)	7								
Extended manual handle - 4 position standard handle	8								
Extended manual handle - infinite position handle	9								
<b>Control Unit/Feedback</b>	<b>Code</b>								
None	blank								
<b>Only available to be used with the following Actuation codes: C, F, G, &amp; H</b>									
10-30VDC 12mm external prox, PNP, open/close, (Qty 2), flying leads	01								
10-30 VDC 12mm external prox, NPN, open/close, (Qty 2), flying leads	02								
10-30VDC 12mm external prox, PNP, open, (Qty 1), flying leads	03								
10-30VDC 12mm external prox, PNP, close, (Qty 1), flying leads	04								
10-30 VDC 12mm external prox, NPN, open, (Qty 1), flying leads	05								
10-30VDC 12mm external prox, PNP, open/close, (Qty 2), M12 quick disconnect	06								
10-30 VDC 12mm external prox, NPN, open/close, (Qty 2), M12 quick disconnect	07								
10-30VDC 12mm external prox, PNP, open, (Qty 1), M12 quick disconnect	08								
10-30VDC 12mm external prox, PNP, close, (Qty 1), M12 quick disconnect	09								
10-30 VDC 12mm external prox, NPN, open, (Qty 1), M12 quick disconnect	10								
<b>Only available to be used with the following Actuation codes: F, G, &amp; H</b>									
Burkert 8691, single acting, DeviceNet, multipin	11								
Burkert 8691, single acting, AS-i, multipin	12								
Burkert 8691, single acting, 24VDC, multipin	13								
Burkert 8691, double acting, DeviceNet, multipin	14								
Burkert 8691, double acting, AS-i, multipin	15								
Burkert 8691, double acting, 24VDC, multipin	16								
Burkert 8691, without solenoid, 24VDC, multipin	17								
Aluminum prox ring with red poly tube indicator - discontinued Jan. 2022	47								
Burkert 8692 positioner, 24VDC, 4-20mA, multipin	18								
Burkert 8692 positioner, 24VDC, ATEX, multipin	62								
Burkert 8691, single acting, IO link, multipin	64								

**B5107-Series Butterfly Valve - Part Number Key (continued)**

<b>B5107-Series Butterfly Valve Part Number Key</b> Example: B5107E050CC-A__		Series	Seat Material	Size	Connection End	Connection End	*	Actuation	Control Unit/ Feedback	Finish Options
		B5107	E	050	C	C	-	A		
Burket 8681, 1 solenoid (single acting), 120 VAC, cable glands	66									
Burkert 8681, 2 solenoids (double acting), 120VAC, cable glands	67									
<b>Only available to be used with the following actuation codes: A, J, K, L, M, N, &amp; P</b>										
limit switch box, OPEN/CLOSE beacon, (2) SPDT mech. switches	19									
Limit switch box, OPEN/CLOSE beacon, (2) proximity SPDT switches	20									
Limit switch box, OPEN/CLOSE beacon, AS-I interface	21									
<b>Only available to be used with the following actuation codes: J, K, L, M, N, &amp; P</b>										
Rotary pneumatic positioner 3-15psi input, no feedback	22									
Rotary pneumatic positioner 3-15psi input, (2) SPDT mech. switches for feedback	23									
Rotary pneumatic positioner 3-15psi input, 4-20mA for feedback	24									
Rotary electropneumatic positioner 4-20mA input, no feedback	25									
Rotary electropneumatic positioner 4-20mA input, (2) SPDT mech. switches for feedback	26									
Rotary electropneumatic positioner 4-20mA input, 4-20mA for feedback	27									
Rotary Electropneumatic Positioner 0-10v input, no Feedback	28									
Rotary electropneumatic positioner 0-10v input, (2) SPDT mech. switches for feedback	29									
Rotary electropneumatic positioner 0-10v input, 4-20mA for feedback	30									
Single coil solenoid, 12VDC	31									
Single coil solenoid, 24VDC	32									
Single coil solenoid, 24VAC	33									
Single coil solenoid, 110VAC	34									
Single coil solenoid, 220VAC	35									
Single coil solenoid, 12VDC + option 19 limit switch	36									
Single coil solenoid, 12VDC + option 20 limit switch	37									
Single coil solenoid, 24VDC + option 19 limit switch	38									
Single coil solenoid, 24VDC + option 20 limit switch	39									
Single coil solenoid, 24VAC + option 19 limit switch	40									
Single coil solenoid, 24VAC + option 20 limit switch	41									
Single coil solenoid, 110VAC + option 19 limit switch	42									
Single coil solenoid, 110VAC + option 20 limit switch	43									

**B5107-Series Butterfly Valve - Part Number Key (continued)**

B5107-Series Butterfly Valve Part Number Key Example: B5107E050CC-A__		Series	Seat Material	Size	Connection End	Connection End *	Actuation	Control Unit/ Feedback	Finish Options								
		B5107	E	050	C	C	-	A									
Single coil solenoid, 220VAC + option 19 limit switch	44																
Single coil solenoid, 220VAC + option 20 limit switch	45																
Limit switch box with integral solenoid, AS-i, 24VDC	46																
Aluminum prox ring with red poly tube indicator - discontinued Jan. 2022	47																
Rotary electropneumatic positioner 4-20mA input, no feedback, explosion proof	48																
V200 rotary electropneumatic positioner 4-20mA input, 4-20mA feedback	49																
Limit switch box, OPEN/CLOSE beacon, (2) proximity SPDT switches, explosion proof	50																
Single coil solenoid, 12VDC + option 19 limit switch+ pre-wired	51																
Single coil solenoid, 12VDC + option 20 limit switch+ pre-wired	52																
Single coil solenoid, 24VDC + option 19 limit switch+ pre-wired	53																
Single coil solenoid, 24VDC + option 20 limit switch+ pre-wired	54																
Single coil solenoid, 24VAC + option 19 limit switch+ pre-wired	55																
Single coil solenoid, 24VAC + option 20 limit switch+ pre-wired	56																
Single coil solenoid, 110VAC + option 19 limit switch+ pre-wired	57																
Single coil solenoid, 110VAC + option 20 limit switch+ pre-wired	58																
Single coil solenoid, 220VAC + option 19 limit switch+ pre-wired	59																
Single coil solenoid, 220VAC + option 20 limit switch+ pre-wired	60																
Mount actuator rotated 90 degrees	61																
Limit switch box, OPEN/CLOSE beacon, (2) proximity SPDT switches, 24VDC single coil solenoid, explosion proof	63																
Limit switch box, OPEN/CLOSE beacon, (2) mechanical SPDT switches, explosion proof	65																
<b>Finish Options</b>	<b>Code</b>									←							
32 Ra mechanical (standard)	blank																
25 Ra mechanical	B																
20 Ra mechanical	C																
15 Ra electropolish	D																
32 Ra mech. w/ customer specified I.D. marking	E																
25 Ra mech. w/ customer specified I.D. marking	F																
25 Ra mech. w/ customer specified I.D. marking	G																
20 Ra mech. w/ customer specified I.D. marking	H																
15 Ra electropolish w/ customer specified I.D. marking	J																

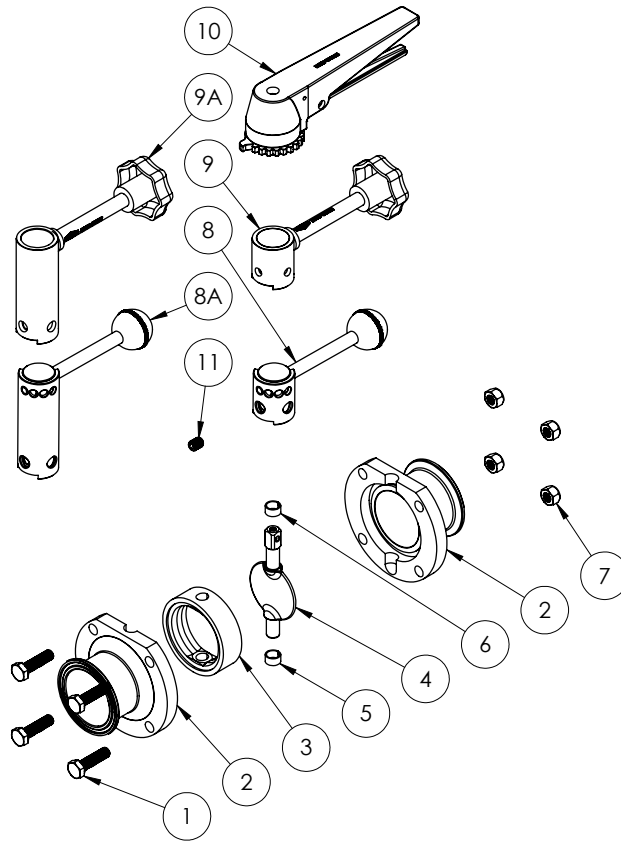
### B5107 Proximity Bracket Kit with Handle - Part Number Key

B5107 Proximity Bracket Kit with Handle Part Number Key Example: B5107-IH5025PB		Series		Handle Type	Size	Proximity Sensor Size	
		B5107	-	IH	5025	PB	
<b>Series</b>	<b>Code</b>						
B5107	B5107						
<b>Handle Type</b>	<b>Code</b>						
Infinite handle	IH						
Standard handle	SH						
Extended infinite handle	EI						
Extended standard handle	ES						
<b>Size</b>	<b>Code</b>						
1/2" - 2-1/2"	5025						
3" - 4"	3040						
<b>Proximity Sensor Size</b>	<b>Code</b>						
M12 proximity bracket (standard)	PB						
M8 proximity bracket (bushings supplied)	PB8						

### B5107 Proximity Bracket Kit without Handle - Part Number Key

B5107 Proximity Bracket Kit without Handle Part Number Key Example: B5107-PB-B		Series		Bracket		Kit Type	
		B5107	-	PB	-	B	
<b>Series</b>	<b>Code</b>						
B5107	B5107						
<b>Bracket</b>	<b>Code</b>						
Proximity bracket	PB						
<b>Kit Type</b>	<b>Code</b>						
M12 to M8 bushings (bushings only)	B						
1/2" - 2-1/2" (bracket only)	5025						
3" - 4" (bracket only)	3040						
1/2" - 2-1/2" (bracket & M8 bushings)	5025B						
3" - 4" (bracket and M8 bushings)	3040B						

### B5107-Series Butterfly Valve - Bill of Materials



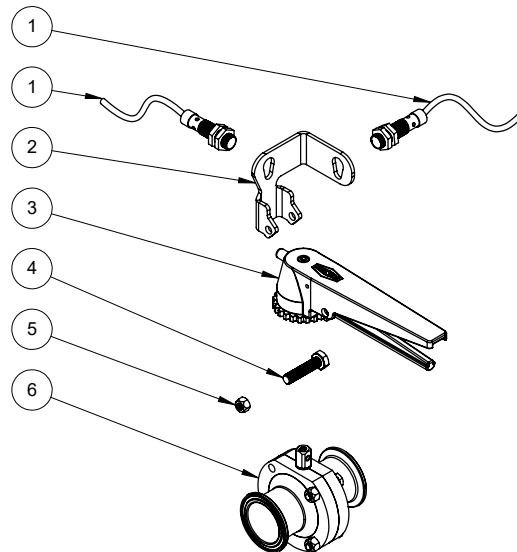
Item No.	Part Type	Part Number					Material	Qty	
		1/2"	3/4"	1"	1-1/2"	2"			
1	Body bolt	M6x1x30					M8x1.25x30	18-8	4
2	Body half	B5107-HSG50	B5107-HSG75	B5107-HSG10	B5107-HSG15	B5107-HSG20	316L	2	
3	Valve Seat	See Repair Kits					--		1
4	Disc	B5107-DSC5010			B5107-DSC15	B5107-DSC20	316L		1
5	Lower bushing *	-	-	-	-	-	Polyacetal	1	
6	Upper bushing *	-	-	-	-	-	Polyacetal	1	
7	Body nut	M6x1 Nylock				M8x1.25 Nylock	18-8		4
8	Pull handle	B5107-SH5025					304		1
8A	Extended pull handle	B5107-SH5025E					304		1
9	Infinite handle	B5107-IH5025					304		1
9A	Extended infinite handle	B5107-IH5025E					304		1
10	Trigger handle	B5107-TH5025					304		1
11	Handle set screw	B5107-SS100-600					304		1

**B5107-Series Butterfly Valve - Bill of Materials**

Item No.	Part Type	Part Number					Material	Qty
		2-1/2"	3"	4"	6"	8"		
1	Body bolt	M8x1.25x30	M8x1.25x40			M10x1.5x45	18-8	4 **
2	Body half	B5107-HSG25	B5107-HSG30	B5107-HSG40	B5107-HSG60	B5107-HSG800	316L	2
3	Valve seat	See Repair Kits					-	1
4	Disc	B5107-DSC25	B5107-DSC30	B5107-DSC40	B5107-DSC60	B5107-DSC800	316L	1
5	Lower bushing *	NA	NA	NA	NA	NA	Polyacetal	1
6	Upper bushing *	NA	NA	NA	NA	NA	Polyacetal	1
7	Body nut	M8x1.25 Nylock			M10x1.5 Nylock		18-8	4 **
8	Pull handle	B5107-SH5025	B5107-SH3040		B5107-SH60	B5107-SH800	304	1
8A	Extended pull handle	B5107-SH5025E	B5107-SH3040E		B5107-SH60	B5107-SH800	304	1
9	Infinite handle	B5107-IH5025	B5107-IH3040		-	-	304	1
9A	Extended infinite handle	B5107-IH5025E	B5107-IH3040E		-	-	304	1
10	Trigger handle	B5107-TH5025	B5107-TH3040		-	-	304	1
11	Handle set screw	B5107-SS100-600					304	1

NOTE: \*Upper and lower bushings are included in the seat repair kit. They cannot be purchased separately.  
 \*\*4" and 8" valves have a quantity of 6 bolts and nuts. 6" valve has a quantity of 8 bolts and nuts.

**Multiposition Trigger Handle with Position Detection**

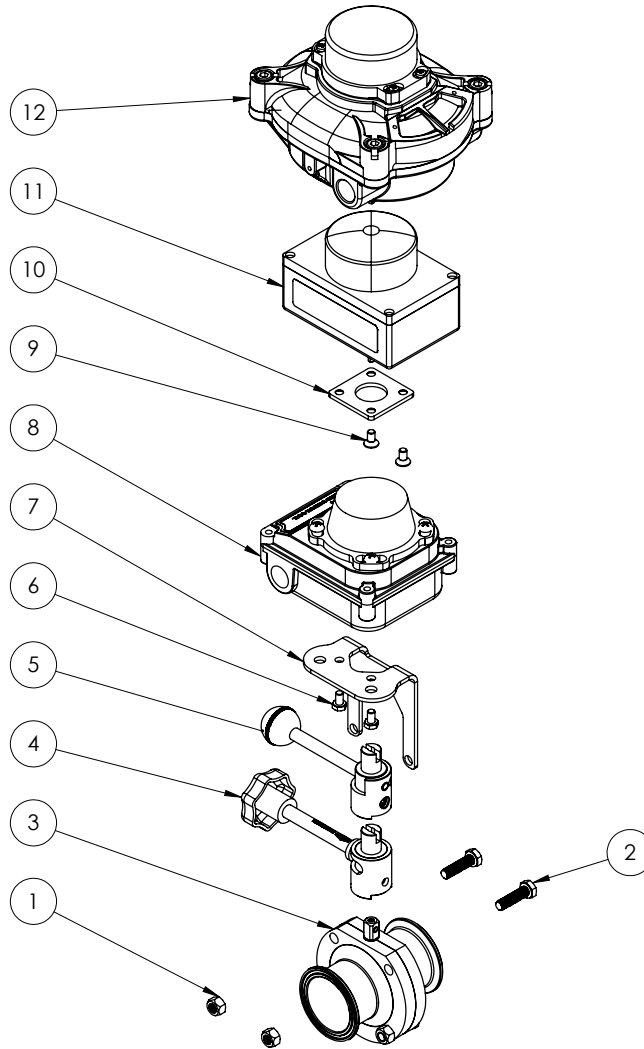


Item No.	Part Type	Part Number								Material	Qty
		1/2"	3/4"	1"	1-1/2"	2"	2-1/2"	3"	4"		
1	proximity sensor	see part number key under Control/Unit Feedback codes 0-10								see proximity sensor EPRG	1 or 2 <sup>1</sup>
2	external proximity bracket	B5107-B1015-MPD				B5107-B3040-MPD				304	1
3	proximity sensor trigger handle	B5107-TH5025-PS				B5107-TH3040-PS				304	1
4	body bolt	M6x1x35			M8x1.25x35		M8x1.25x45			304	1
5	body nut	M6x1 Nylock			M8x1.25 Nylock					18-8	1
6	B5107-series butterfly valve	see part number key								see B5107-series BOM	1

<sup>1</sup>Must specify position (open or closed) if using 1 sensor for part number key.

## B5107-Series Butterfly Valve - Bill of Materials

Standard and Infinite Handle with Position Detection

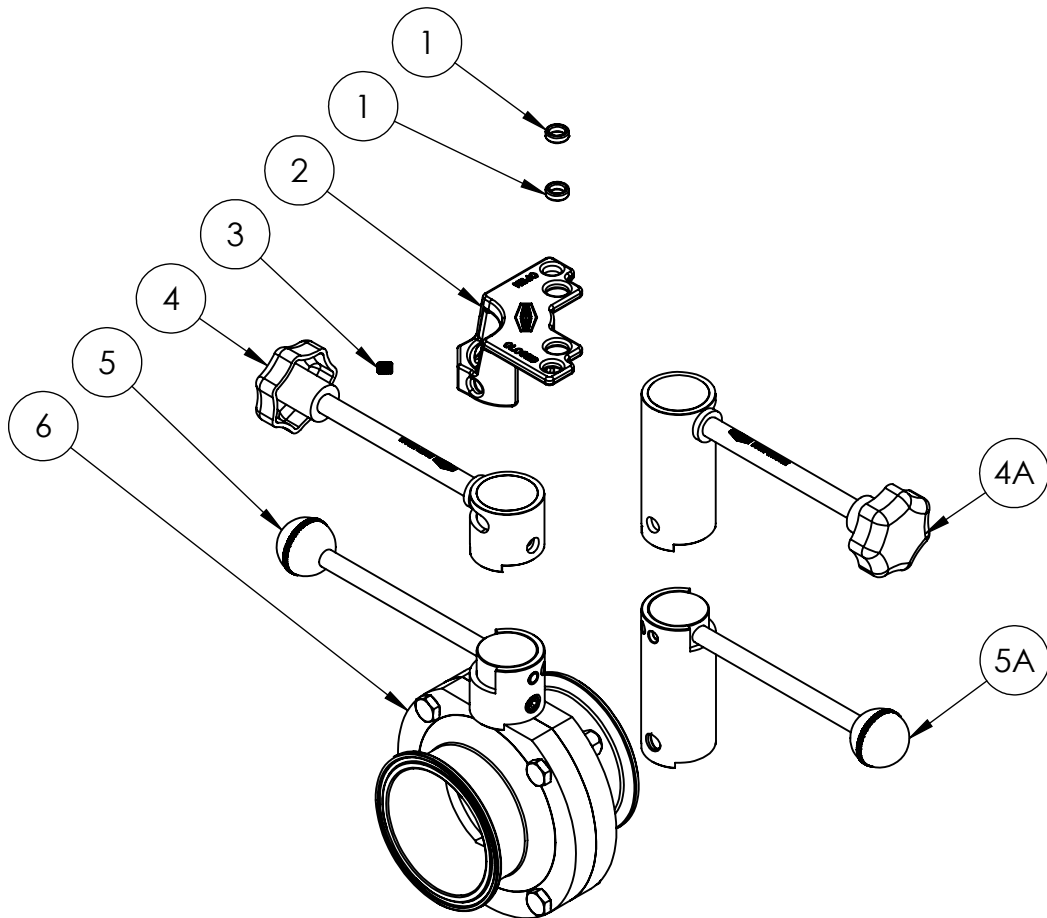


Item No.	Part Type	Part Number								Quantity
		1/2"	3/4"	1"	1-1/2"	2"	2-1/2"	3"	4"	
1	Body nut	M6x1 Nylock				M8x1.25 Nylock				2
2	Body bolt	M6x1x35mm				M8x1.25x35mm	M8x1.25x45mm			2
3	B5107 valve	see part number key								1
4	Infinite handle	B5107-IH5025-L					B5107-IH3040-L			1
5	Pull handle	B5107-SH5025-L					B5107-SH3040-L			1
6	Bracket bolt	M6x1x10mm								2
	Bracket bolt when using spacer (#10)	M6x1x16mm								2
7	Limit switch bracket	B5107-LSB-5015			B5107-LSB-2025		B5107-LSB-3040		1	
8	Limit switch	XLS-B4A0120P								1
9	Spacer bolts	Countersunk M6x1x12mm								2
10*	Spacer	B5107-LSB-SP								1
11	Limit switch	XLS-C4 series								1
12	Limit switch	XLS-C7 series								1

\*Only required if using item no. 11 or 12

### B5107-Series Butterfly Valve - Bill of Materials

#### Standard and Infinite Handle with Proximity Bracket

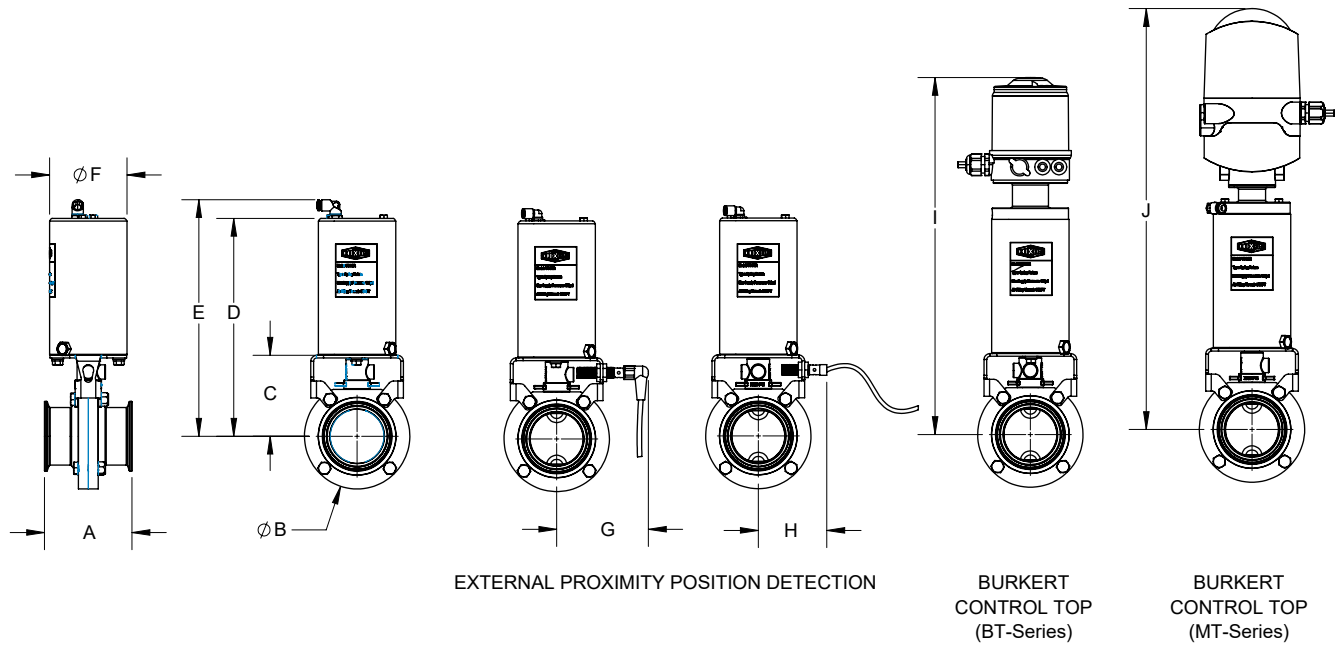


Item #	Description	Part Number								Qty
		1/2"	3/4"	1"	1-1/2"	2"	2-1/2"	3"	4"	
1	M12 to M8 bushing	B5107-PB-B								2
2	Proximity bracket	B5107-PB-5025					B5107-PB-3040			1
3	M6x8mm set screw (included with item # 2)	-								1
4	Infinite handle	B5107-IH5025					B5107-IH3040			1
4A	Extended infinite handle	B5107-IH5025E					B5107-IH3040E			1
5	Pull handle	B5107-SH5025					B5107-SH3040			1
5A	Extended pull handle	B5107-SH5025E					B5107-SH3040E			1
6	B5107-series butterfly valve	see part number key								1



## B5107-Series Butterfly Valve - Dimensions

### Vertical Canister Actuator

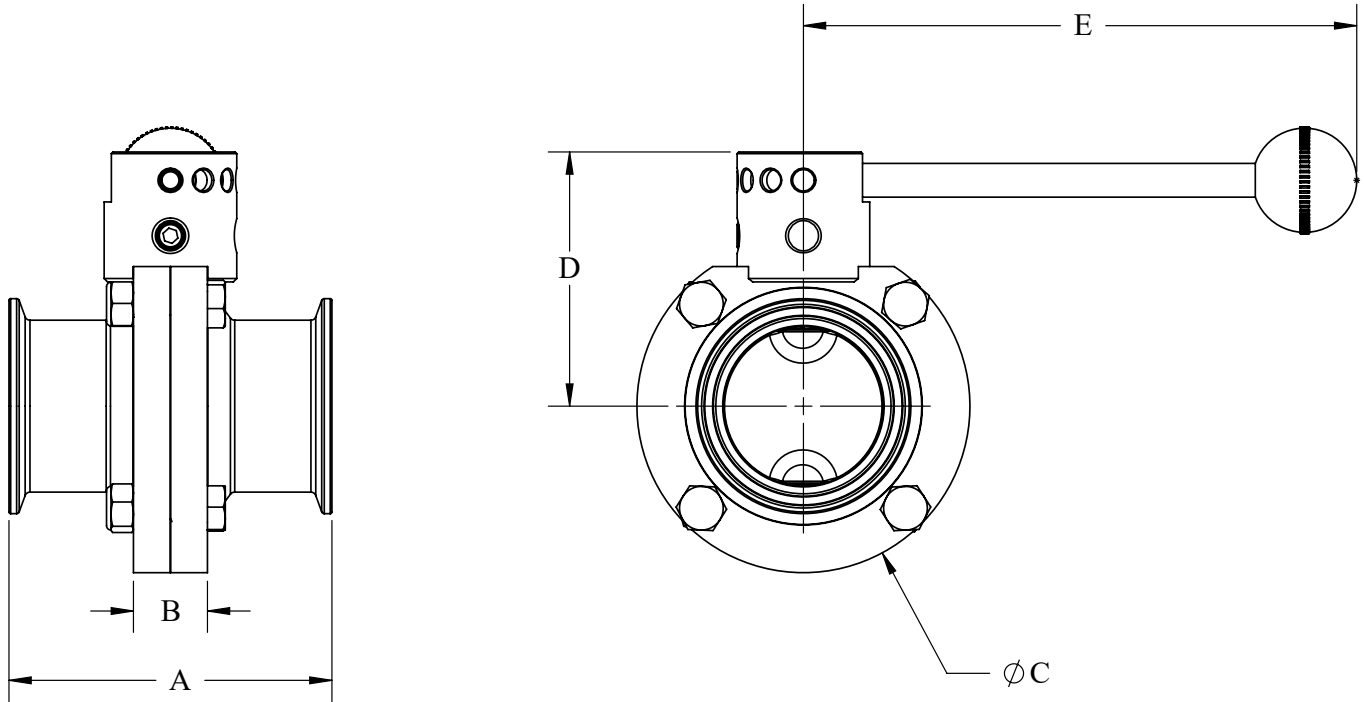


NOTE: See Proximity, BT-series, and MT-series EPRG for more information.

Size	A (in)	B (in)	C (in)	D (in)	E (in)	F (in)	G (in)	H (in)	I (in)	J (in)
1/2"	3.5	3.1	2.7	8.7	9.6	3.4	4.0	3.0	14.7	17.6
3/4"	3.5	3.1	2.7	8.7	9.6	3.4	4.0	3.0	14.7	17.6
1"	3.5	3.1	2.7	8.7	9.6	3.4	4.0	3.0	14.7	17.6
1-1/2"	3.5	3.1	2.7	8.7	9.6	3.4	4.0	3.0	14.7	17.6
2"	3.8	3.9	3.0	9.0	10.0	3.4	4.0	3.0	15.0	17.9
2-1/2"	3.8	4.6	3.5	9.5	10.4	3.4	4.0	3.0	15.5	18.4
3"	4.1	5.2	3.6	9.5	10.5	3.4	4.0	3.0	15.5	18.5
4"	4.8	6.7	4.4	10.4	11.4	3.4	4.0	3.0	16.4	19.3

## B5107-Series Butterfly Valve - Dimensions

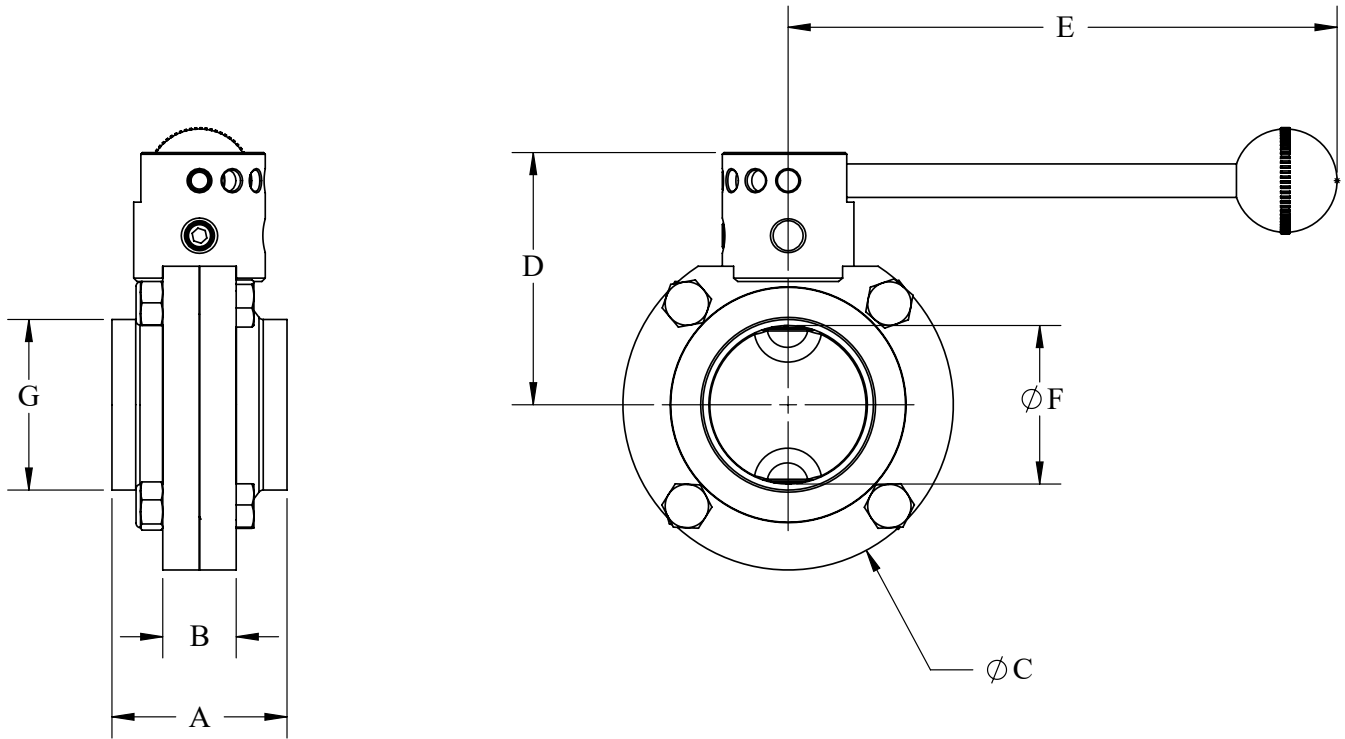
### Standard Handle - Clamp



Size	A (in)	B (in)	C (in)	D (in)	E (in)
1/2"	3.50	0.90	3.10	2.60	4.60
3/4"	3.50	0.90	3.10	2.60	4.60
1"	3.50	0.90	3.10	2.60	4.60
1-1/2"	3.50	0.90	3.10	2.60	4.60
2"	3.80	0.90	3.90	3.00	4.60
2-1/2"	3.80	0.90	4.60	3.40	4.60
3"	4.10	1.20	5.20	3.50	6.50
4"	4.80	1.20	6.70	4.30	6.50
6"	5.50	1.20	8.50	5.60	11.70
8"	5.00	1.20	11.20	7.80	18.10

## B5107-Series Butterfly Valve - Dimensions

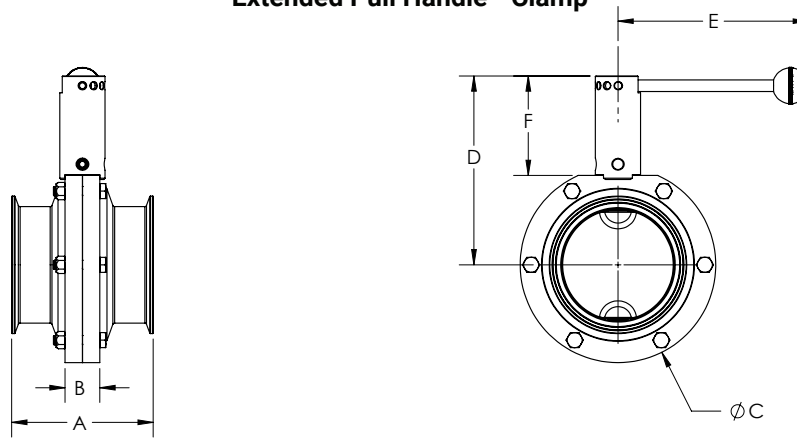
### Standard Handle - Weld



Size	A (in)	B (in)	C (in)	D (in)	E (in)	F (in)	G (in)
1/2"	1.87	0.90	3.10	2.60	4.60	0.37	0.50
3/4"	1.87	0.90	3.10	2.60	4.60	0.62	0.75
1"	1.87	0.90	3.10	2.60	4.60	0.87	1.00
1-1/2"	1.87	0.90	3.10	2.60	4.60	1.37	1.50
2"	2.06	0.90	3.90	3.00	4.60	1.87	2.00
2-1/2"	2.12	0.90	4.60	3.40	4.60	2.37	2.50
3"	2.50	1.20	5.20	3.50	6.50	2.87	3.00
4"	3.18	1.20	6.70	4.30	6.50	3.83	4.00
6"	3.83	1.20	8.50	5.60	11.70	5.78	6.00
8"	4.97	1.20	11.20	7.80	18.10	7.78	8.00

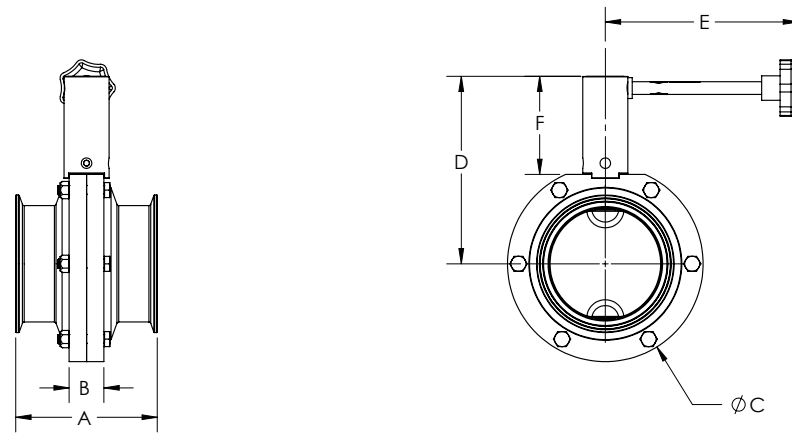
### B5107-Series Butterfly Valve - Dimensions

#### Extended Pull Handle - Clamp



Size	A (in)	B (in)	C (in)	D (in)	E (in)	F (in)
1/2"	3.50	0.90	3.10	4.60	4.60	3.30
3/4"	3.50	0.90	3.10	4.60	4.60	3.30
1"	3.50	0.90	3.10	4.60	4.60	3.30
1-1/2"	3.50	0.90	3.10	4.60	4.60	3.30
2"	3.80	0.90	3.90	5.00	4.60	3.30
2-1/2"	3.80	0.90	4.60	5.40	4.60	3.30
3"	4.10	1.20	5.20	5.50	6.50	3.30
4"	4.80	1.20	6.70	6.30	6.50	3.30

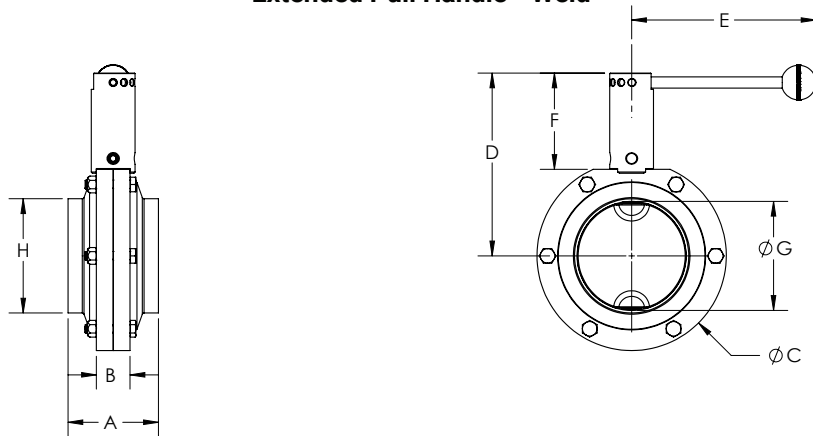
#### Extended Infinite Handle - Clamp



Size	A (in)	B (in)	C (in)	D (in)	E (in)	F (in)
1/2"	3.50	0.90	3.10	4.60	4.90	3.30
3/4"	3.50	0.90	3.10	4.60	4.90	3.30
1"	3.50	0.90	3.10	4.60	4.90	3.30
1-1/2"	3.50	0.90	3.10	4.60	4.90	3.30
2"	3.80	0.90	3.90	5.00	4.90	3.30
2-1/2"	3.80	0.90	4.60	5.40	4.90	3.30
3"	4.10	1.20	5.20	5.50	6.60	3.30
4"	4.80	1.20	6.70	6.30	6.60	3.30

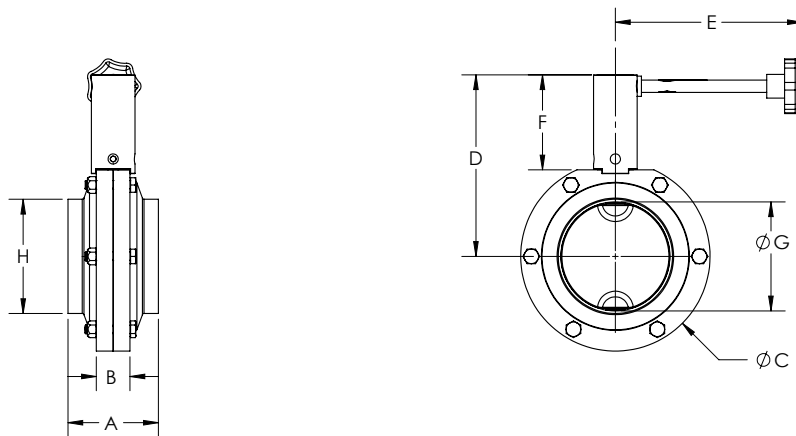
### B5107-Series Butterfly Valve - Dimensions

#### Extended Pull Handle - Weld



Size	A (in)	B (in)	C (in)	D (in)	E (in)	F (in)	G (in)	H (in)
1/2"	1.87	0.90	3.10	4.60	4.60	0.37	0.50	0.50
3/4"	1.87	0.90	3.10	4.60	4.60	0.62	0.75	0.75
1"	1.87	0.90	3.10	4.60	4.60	0.87	1.00	1.00
1-1/2"	1.87	0.90	3.10	4.60	4.60	1.37	1.50	1.50
2"	2.06	0.90	3.90	5.00	4.60	1.87	2.00	2.00
2-1/2"	2.12	0.90	4.60	5.40	4.60	2.37	2.50	2.50
3"	2.50	1.20	5.20	5.50	6.50	2.87	3.00	3.00
4"	3.18	1.20	6.70	6.30	6.50	3.83	4.00	4.00

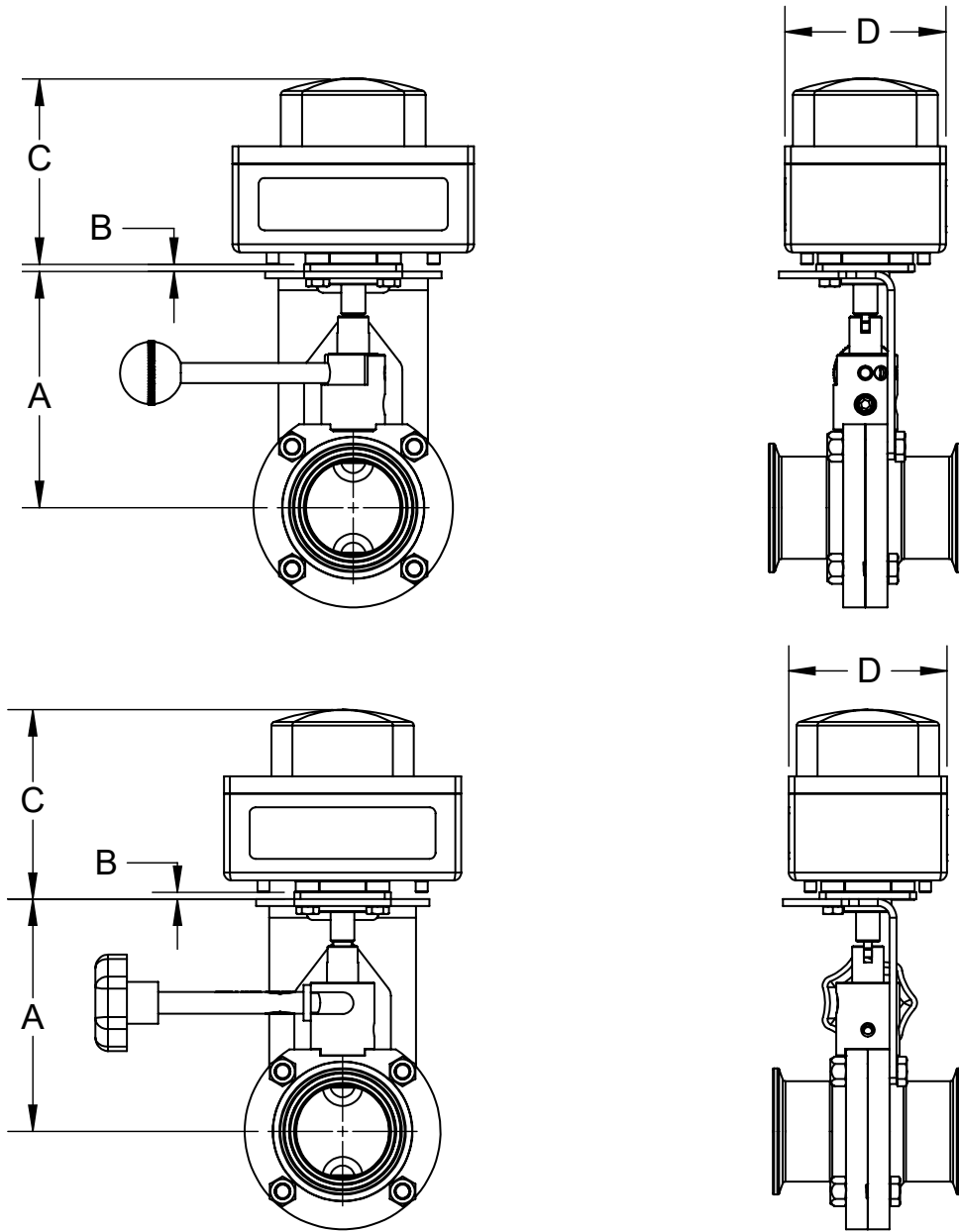
#### Extended Infinite Handle - Weld



Size	A (in)	B (in)	C (in)	D (in)	E (in)	F (in)	G (in)	H (in)
1/2"	1.87	0.90	3.10	4.60	4.90	0.37	0.50	0.50
3/4"	1.87	0.90	3.10	4.60	4.90	0.62	0.75	0.75
1"	1.87	0.90	3.10	4.60	4.90	0.87	1.00	1.00
1-1/2"	1.87	0.90	3.10	4.60	4.90	1.37	1.50	1.50
2"	2.06	0.90	3.90	5.00	4.90	1.87	2.00	2.00
2-1/2"	2.12	0.90	4.60	5.40	4.90	2.37	2.50	2.50
3"	2.50	1.20	5.20	5.50	6.60	2.87	3.00	3.00
4"	3.18	1.20	6.70	6.30	6.60	3.83	4.00	4.00

### B5107-Series Butterfly Valve - Dimensions

Standard and Infinite Handles with Position Detection

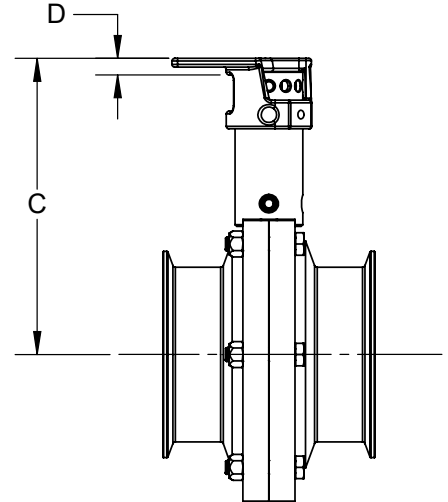
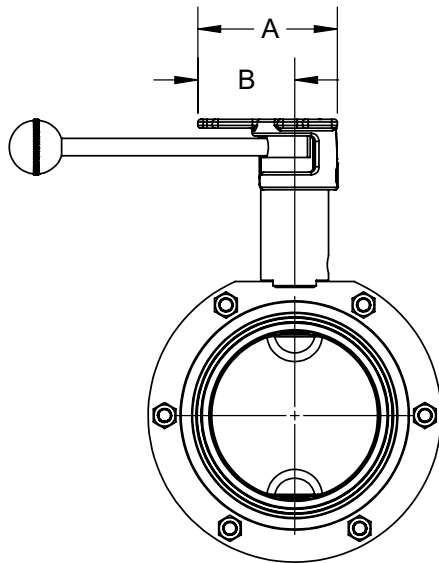
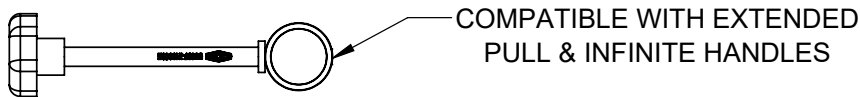
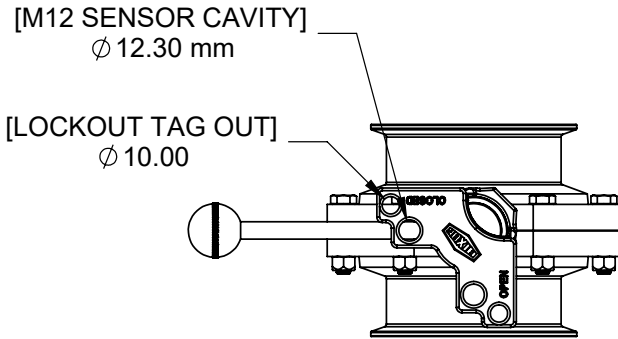


NOTE: Limit switch shown is XLS-C4A0120P

Size	A (in)	XLS-B4A0120P			XLS-C4A0120P			XLS-C7A0120P		
		B (in)	C (in)	D (in)	B (in)	C (in)	D (in)	B (in)	C (in)	D (in)
1/2"	4.31	0 (No Spacer Required)	3.62	4.06	0.135	3.63	3.15	0.135	5.43	6.7
3/4"	4.31									
1"	4.32									
1-1/2"	4.32									
2"	4.63									
2-1/2"	5.04									
3"	5.19									
4"	6.06									

### B5107-Series Butterfly Valve - Dimensions

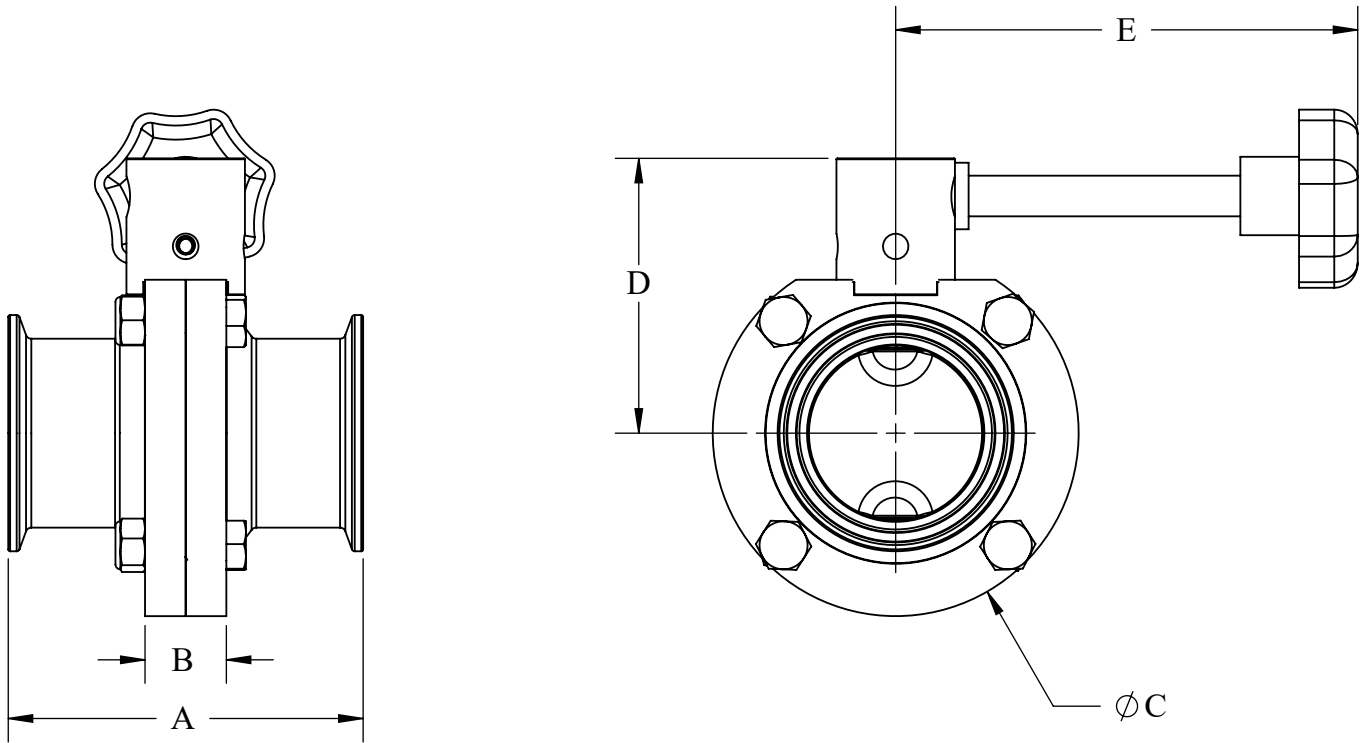
Standard and Infinite Handles with Lock-out Tag-out



Part Number	Size	A (in)	B (in)	C (in) (standard handle)	C (in) (infinite handle)	D (in)
B5107-PB-5025	1/2"	3.02	2.20	5	5	0.37
	3/4"	3.02	2.20	5	5	0.37
	1"	3.02	2.20	5	5	0.37
	1-1/2"	3.02	2.20	5	5	0.37
	2"	3.02	2.20	5.4	5.4	0.37
	2-1/2"	3.02	2.20	5.8	5.8	0.37
B5107-PB-3040	3"	3.17	2.20	6	5.9	0.37
	4"	3.17	2.20	6.8	6.7	0.37

**B5107-Series Butterfly Valve - Dimensions**

**Infinite Handle - Clamp**

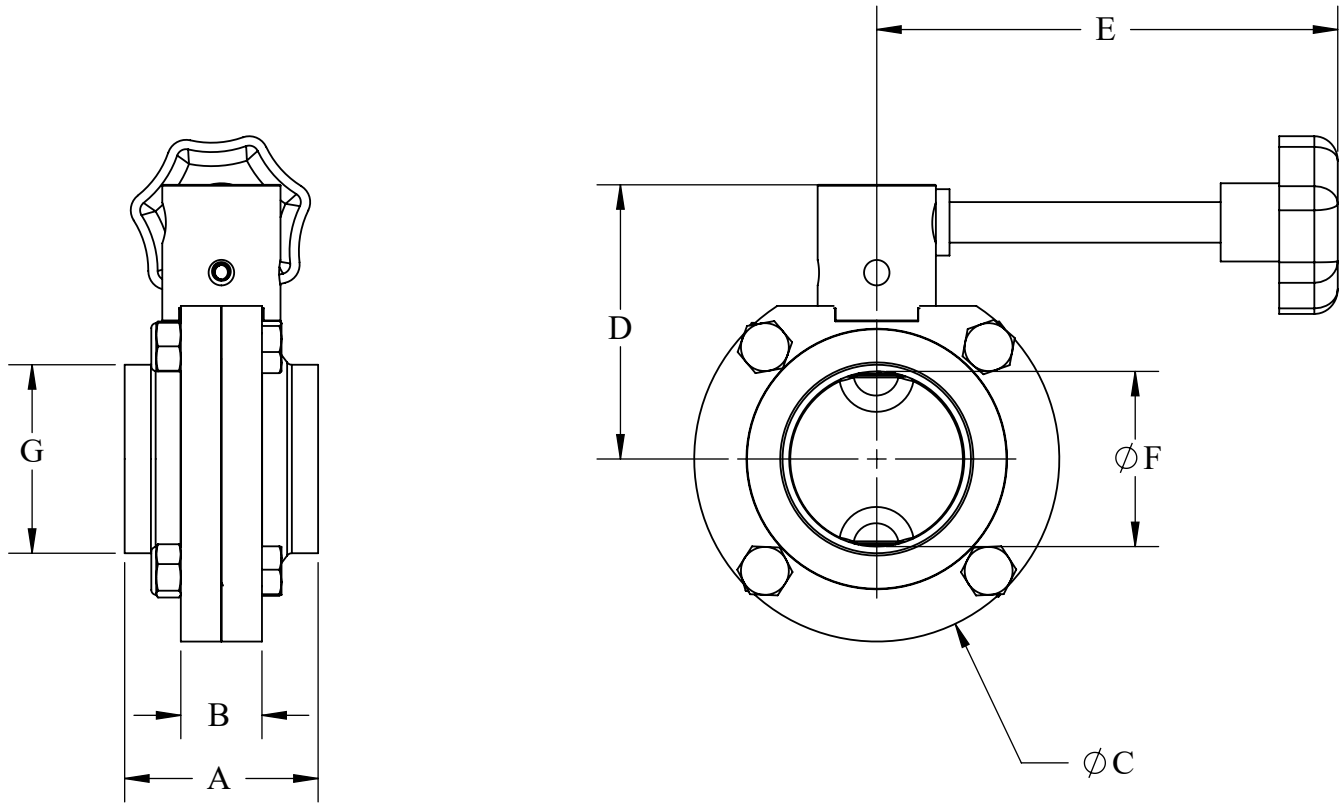


Size	A (in)	B (in)	C (in)	D (in)	E (in)
1/2"	3.50	0.90	3.10	2.60	4.90
3/4"	3.50	0.90	3.10	2.60	4.90
1"	3.50	0.90	3.10	2.60	4.90
1-1/2"	3.50	0.90	3.10	2.60	4.90
2"	3.80	0.90	3.90	3.00	4.90
2-1/2"	3.80	0.90	4.60	3.40	4.90
3"	4.10	1.20	5.20	3.50	6.60
4"	4.80	1.20	6.70	4.30	6.60



## B5107-Series Butterfly Valve - Dimensions

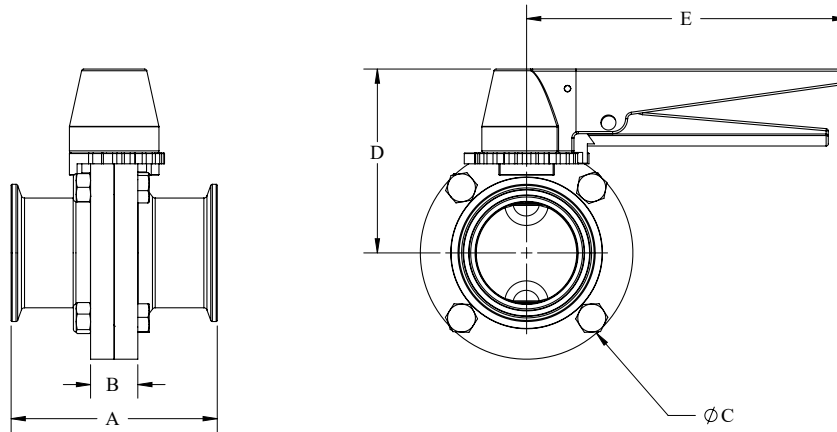
### Infinite Handle - Weld



Size	A (in)	B (in)	C (in)	D (in)	E (in)	F (in)	G (in)
1/2"	1.87	0.90	3.10	2.60	4.90	0.37	0.50
3/4"	1.87	0.90	3.10	2.60	4.90	0.62	0.75
1"	1.87	0.90	3.10	2.60	4.90	0.87	1.00
1-1/2"	1.87	0.90	3.10	2.60	4.90	1.37	1.50
2"	2.06	0.90	3.90	3.00	4.90	1.87	2.00
2-1/2"	2.12	0.90	4.60	3.40	4.90	2.37	2.50
3"	2.50	1.20	5.20	3.50	6.60	2.87	3.00
4"	3.18	1.20	6.70	4.30	6.60	3.83	4.00

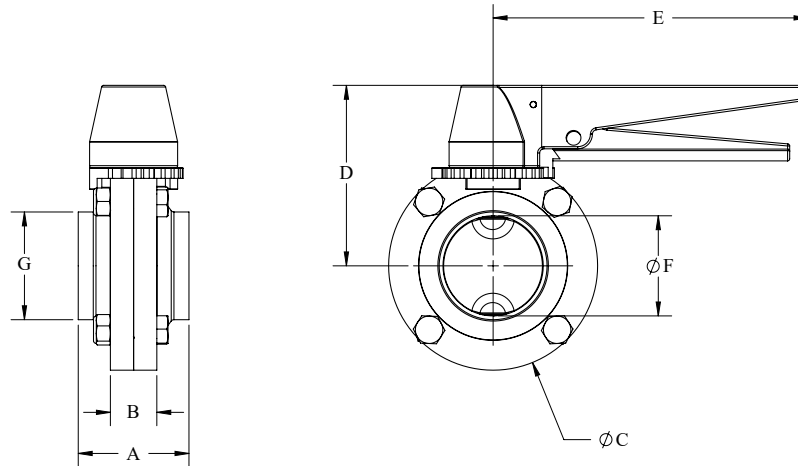
**B5107-Series Butterfly Valve - Dimensions**

**Trigger Handle - Clamp**



Size	A (in)	B (in)	C (in)	D (in)	E (in)
1/2"	3.50	0.90	3.10	2.60	5.90
3/4"	3.50	0.90	3.10	2.60	5.90
1"	3.50	0.90	3.10	2.60	5.90
1-1/2"	3.50	0.90	3.10	2.60	5.90
2"	3.80	0.90	3.90	3.00	5.90
2-1/2"	3.80	0.90	4.60	3.40	5.90
3"	4.10	1.20	5.20	3.50	5.90
4"	4.80	1.20	6.70	4.30	5.90

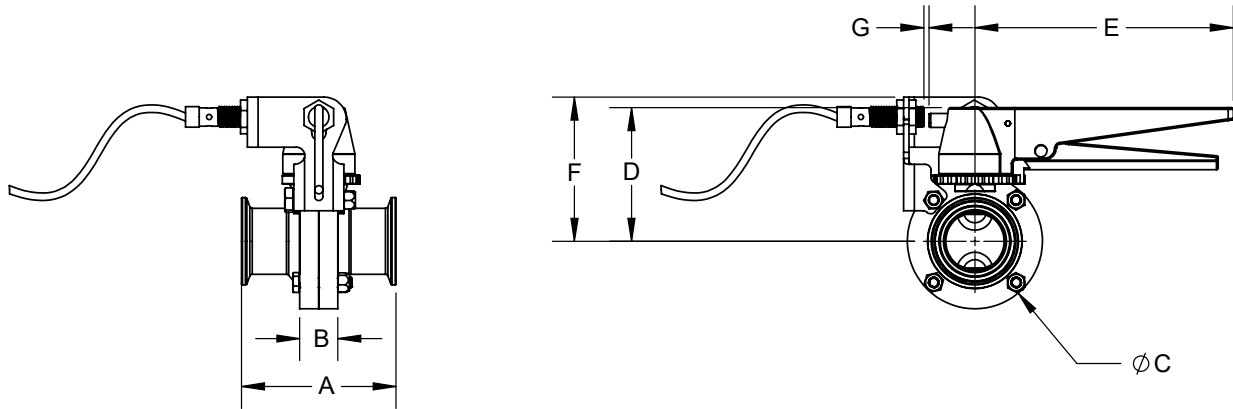
**Trigger Handle - Weld**



Size	A (in)	B (in)	C (in)	D (in)	E (in)	F (in)	G (in)
1/2"	1.87	0.90	3.10	2.60	5.90	0.37	0.50
3/4"	1.87	0.90	3.10	2.60	5.90	0.62	0.75
1"	1.87	0.90	3.10	2.60	5.90	0.87	1.00
1-1/2"	1.87	0.90	3.10	2.60	5.90	1.37	1.50
2"	2.06	0.90	3.90	3.00	5.90	1.87	2.00
2-1/2"	2.12	0.90	4.60	3.40	5.90	2.37	2.50
3"	2.50	1.20	5.20	3.50	5.90	2.87	3.00
4"	3.18	1.20	6.70	4.30	5.90	3.83	4.00

## B5107-Series Butterfly Valve - Dimensions

### Multiposition Trigger Handle with Position Detection



Size	A (in)		B (in)	C (in)	D (in)	E (in)	F (in)	G (in)
	Clamp	Weld						
1/2"	3.50	1.87	0.90	3.10	2.60	5.90	3.30	Proximity distance dependent on sensor used <sup>1</sup>
3/4"	3.50	1.87	0.90	3.10	2.60	5.90	3.30	
1"	3.50	1.87	0.90	3.10	2.60	5.90	3.30	
1-1/2"	3.50	1.87	0.90	3.10	2.60	5.90	3.30	
2"	3.80	2.06	0.90	3.90	3.00	5.90	3.55	
2-1/2"	3.80	2.12	0.90	4.60	3.40	5.90	4.00	
3"	4.10	2.50	1.20	5.20	3.50	5.90	4.05	
4"	4.80	3.18	1.20	6.70	4.30	5.90	4.90	

**B5107-Series Butterfly Valve - Repair Kits**

<b>Repair Kit Part Number</b>	<b>Part Description</b>	<b>Contains</b>
B5107-RKV100	B5107 FKM repair kit, for 1/2" - 1" valves	Items 3, 5, 6
B5107-RKV150	B5107 FKM repair kit, for 1-1/2" valves	
B5107-RKV200	B5107 FKM repair kit, for 2" valves	
B5107-RKV250	B5107 FKM repair kit, for 2-1/2" valves	
B5107-RKV300	B5107 FKM repair kit, for 3" valves	
B5107-RKV400	B5107 FKM repair kit, for 4" valves	
B5107-RKS100	B5107 Silicone repair kit, for 1/2" - 1" valves	
B5107-RKS150	B5107 Silicone repair kit, for 1-1/2" valves	
B5107-RKS200	B5107 Silicone repair kit, for 2" valves	
B5107-RKS250	B5107 Silicone repair kit, for 2-1/2" valves	
B5107-RKS300	B5107 Silicone repair kit, for 3" valves	
B5107-RKS400	B5107 Silicone repair kit, for 4" valves	
B5107-RKS600	B5107 Silicone repair kit, for 6" valves	
B5107-RKE100	B5107 EPDM repair kit, for 1/2" - 1" valves	
B5107-RKE150	B5107 EPDM repair kit, for 1-1/2" valves	
B5107-RKE200	B5107 EPDM repair kit, for 2-1/2" valves	
B5107-RKE250	B5107 EPDM repair kit, for 2-1/2" valves	
B5107-RKE300	B5107 EPDM repair kit, for 3" valves	
B5107-RKE400	B5107 EPDM repair kit, for 4" valves	
B5107-RKE600	B5107 EPDM repair kit, for 6" valves	
B5107-RKE800	B5107 EPDM repair kit, for 8" valves	

## Limited Warranty

DIXON VALVE & COUPLING COMPANY, LLC (herein called "Dixon") warrants the products described herein and manufactured by Dixon to be free from defects in material and workmanship for a period of one (1) year from date of shipment by Dixon under normal use and service. Its sole obligation under this warranty being limited to repairing or replacing, as hereinafter provided, at its option any product found to Dixon's satisfaction to be defective upon examination by it, provided that such product shall be returned for inspection to Dixon's factory within three (3) months after discovery of the defect. The repair or replacement of defective products will be made without charge for parts or labor. This warranty shall not apply to: (a) parts or products not manufactured by Dixon, the warranty of such items being limited to the actual warranty extended to Dixon by its supplier; (b) any product that has been subject to abuse, negligence, accident, or misapplication; (c) any product altered or repaired by others than Dixon; and (d) normal maintenance services and the replacement of service items (such as washers, gaskets, and lubricants) made in connection with such services. To the extent permitted by law, this limited warranty shall extend only to the buyer and any other person reasonably expected to use or consume the goods who is injured in person by any breach of the warranty. No action may be brought against Dixon for an alleged breach of warranty unless such action is instituted within one (1) year from the date the cause of action accrues. This limited warranty shall be construed and enforced to the fullest extent allowable by applicable law.

Other than the obligation of Dixon set forth herein, Dixon disclaims all warranties, express or implied, including but not limited to any implied warranties of merchantability or fitness for a particular purpose, and any other obligation or liability. The foregoing constitutes Dixon's sole obligation with respect to damages, whether direct, incidental, or consequential, resulting from the use or performance of the product.

Some products and sizes may be discontinued when stock is depleted or may require a minimum quantity for ordering.

## Limits of Liability

This brochure is intended as a product offering. It is not intended to be a user or technical manual. Information in this brochure is subject to change without notice. All users and distributors of products sold through this brochure should contact Dixon with questions of use, compatibilities, coupling procedures, and life of product. Our full-time engineering and test staff are always available to recommend uses and to assist distributors and users with any questions.



### Safety



Safety logos, which appear throughout our catalog, are used as a reminder that the user should carefully review for the appropriateness of the product for the media, application, and environment in which it will be used.

NOTE: Because of the health hazards associated with contamination and lead content in drinking water systems, Dixon couplings, unless otherwise specifically approved, are not recommended for potable water service and should not be used in applications where drinking water will contact the wetted surfaces of the coupling.

All Dixon products are shipped in cartons with the following warning:

**"WARNING:** This product contains lead, a chemical known to the State of California to cause cancer and birth defects or other reproductive harm."

## Trademark

Delrin® and Zytel® are registered trademarks of E.I. duPont Nemours and Company.

Kalrez® is a registered trademark of DuPont Dow Elastomers.

All other trademarks appearing in the Dixon illustrated product list are the property of their respective owners.

## Copyright

Copyright © 2024 by Dixon Valve & Coupling Company, LLC

All rights reserved. This book is copyrighted material. Use, reproduction or copying of it by anyone other than Dixon® is strictly forbidden without its express written consent.

NOTE: Reasonable care has been taken in preparing this catalog. Dixon Valve & Coupling Company, LLC reserves the right to make corrections.

