



The Right Connection™

Holedall Coupling System

For almost half a century, Holedall couplings have provided long-lasting efficiency and safety.

Dixon Holedall stems and ferrules are specifically designed to be used together as a coupling system. Due to differences in dimensions and tolerances for safety reasons, do not use other manufacturer's stems or ferrules with Dixon Holedall Products.

Externally Swaged Stems

Ends

- NPT
- Beveled
- Grooved (Victaulic)
- Female

Female End

- Require special pushers for 1½" - 2" sizes

Materials

- Carbon steel
- 316 SS

Sizes

- 1¼" - 10" ID hose



For higher working pressure applications, use Long style stems and ferrules.

Externally Swaged Notched Fittings

Sizes

- 1½" - 4" hose ID
- For hose OD less than 2-4/64", couplings must be crimped.
- For hose OD larger than 2-5/64", couplings can be swaged or crimped.

Materials

- 316 SS stem
- 304 SS ferrule



Stem can be re-used after proper removal from assembly and inspection. It can be attached to a new hose by using a new ferrule.

Externally Swaged Ferrules

Styles

- High pressure
- Standard
- Holedall II (for Royal-Flex hose)
- Notched
- Long

Materials

- Carbon steel
- 316 SS
- 304 SS

Sizes

- 1¼" - 10"



The selection of ferrules is very important to achieve the proper coupling-to-hose assembly.

Externally Swaged Assemblies

Styles

- High pressure
- Flanged
- Uni-Range
- Rotary

Materials

- Carbon steel
- 316 SS
- 304 SS
- Plated steel

Sizes

- Call Factory for sizes



Please consult the Factory for working pressure requirements.

Internal Expansion Stems



Grooved

California

NPT

Materials

- Carbon steel

Sizes

- 1" - 4"

Ends

- NPT (IXM)
- California (IXH)
- Grooved (IXV)

Internal Expansion Ferrules



Standard

Styles

- Standard

Materials

- Carbon steel

Sizes

- 1" - 6" hose ID

Internal Expansion Accessories



Butt Weld x
California End



Clamp

Materials

- Schedule 40 pipe
- Galvanized steel

Sizes

- 1½" - 4"

Products

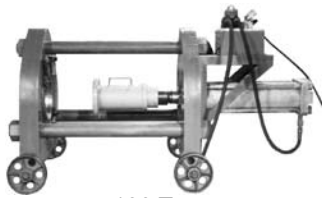
- Butt Weld x California Style end (HDE)
- Clamps - use with HDE series

Please consult the Factory for working pressure requirements.

Rams



15 Ton



100 Ton



50 Ton

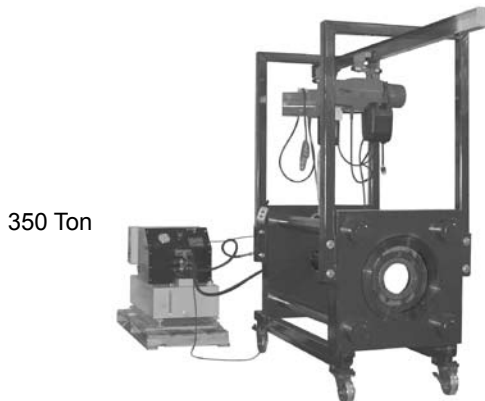
Our Rams can swage or internally expand various sizes of fittings and numerous hose types. Please consult the Factory for additional information.

Styles

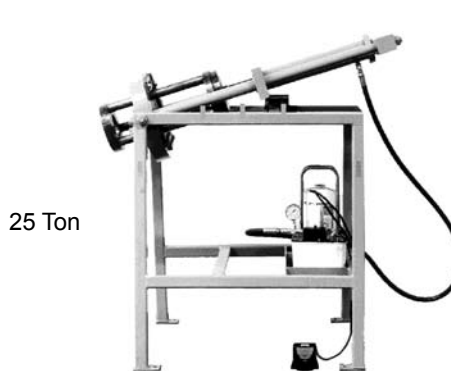
- Bench mounted
- Free standing
- Wheeled

Sizes

- 15 Ton
- 25 Ton
- 50 Ton
- 100 Ton
- 350 Ton



350 Ton



25 Ton

Dixon Valve & Coupling Co.
800 High Street
Chestertown, MD 21620



The Right Connection™

800.355.1991
Fax: 800.283.4966
www.dixonvalve.com