



Bolt Clamps



The Right Connection™

PURPOSE:

To provide a quick, yet effective means of clamping a variety of fittings to a wide range of hose.

SERVICES:

The T-Bolt clamp is a high-strength, reliable clamp with numerous applications in both the commercial and industrial markets including hose and ductwork connections for air, oil, water and other types of low pressure fluid lines.



Style TBC

Stainless Steel Band, Alloy Steel Bolt

Styles TBC & STBC-

T-bolts can be applied with a standard 7/16" socket wrench.

MATERIALS:

Style TBC -

- 3/4" wide 300 series stainless steel band, .025" thick.
- Opens 1/16" above and tightens 1/8" smaller than nominal I.D. for a total of 3/16" range for clamps TBC131 through TBC250.
- Opens 1/16" above and tightens 7/32" smaller than nominal I.D. for a total of 9/32" range for clamps TBC256 through TBC750.
- Alloy steel bolt.
Torque rating 70 in/lbs.

Style STBC -

- 3/4" wide 300 series stainless steel band, .025" thick.
- Opens 1/16" above and tightens 1/16" smaller than nominal I.D. for a total of 1/8" range for STBC131 clamp.
- Opens 1/16" above and tightens 1/8" smaller than nominal I.D. for a total of 3/16" range for clamps STBC150 through STBC250.
- Opens 1/16" above and tightens 7/32" smaller than nominal I.D. for a total of 9/32" range for clamps STBC256 through STBC1288.
- 300 series stainless steel bolt.
Torque rating 50 in/lbs.

Style STBC

Stainless Steel Band, Stainless Steel Bolt

Hose O.D. Range		Part #
From	To	
1-12/64"	1-28/64"	TBC131
1-24/64"	1-36/64"	TBC150
1-40/64"	1-52/64"	TBC175
1-48/64"	1-60/64"	TBC188
1-56/64"	2-4/64"	TBC200
2-8/64"	2-20/64"	TBC225
2-16/64"	2-28/64"	TBC238
2-24/64"	2-36/64"	TBC250
2-22/64"	2-40/64"	TBC256
2-26/64"	2-44/64"	TBC263
2-34/64"	2-52/64"	TBC275
2-42/64"	2-60/64"	TBC288
2-50/64"	3-4/64"	TBC300
2-58/64"	3-12/64"	TBC312
3-2/64"	3-20/64"	TBC325
3-18/64"	3-36/64"	TBC350
3-34/64"	3-52/64"	TBC375
3-50/64"	4-4/64"	TBC400
4 2/64"	4-20/64"	TBC425
4-18/64"	4-36/64"	TBC450
4-34/64"	4-52/64"	TBC475
4-50/64"	5-4/64"	TBC500
5-2/64"	5-20/64"	TBC525
5-18/64"	5-36/64"	TBC550
5-34/64"	5-52/64"	TBC575
5-50/64"	6-4/64"	TBC600
6-2/64"	6-20/64"	TBC625
6-18/64"	6-36/64"	TBC650
6-34/64"	6-52/64"	TBC675
6-50/64"	7-4/64"	TBC700
7-18/64"	7-36/64"	TBC750

Hose O.D. Range		Part #
From	To	
1-12/64"	1-28/64"	STBC131
1-24/64"	1-36/64"	STBC150
1-40/64"	1-52/64"	STBC175
1-48/64"	1-60/64"	STBC188
1-56/64"	2-4/64"	STBC200
2-8/64"	2-20/64"	STBC225
2-16/64"	2-28/64"	STBC238
2-24/64"	2-36/64"	STBC250
2-22/64"	2-40/64"	STBC256
2-26/64"	2-44/64"	STBC263
2-34/64"	2-52/64"	STBC275
2-42/64"	2-60/64"	STBC288
2-50/64"	3-4/64"	STBC300
2-58/64"	3-12/64"	STBC312
3-2/64"	3-20/64"	STBC325
3-18/64"	3-36/64"	STBC350
3-34/64"	3-52/64"	STBC375
3-38/64"	3-56/64"	STBC382
3-50/64"	4-4/64"	STBC400
4-2/64"	4-20/64"	STBC425
4-18/64"	4-36/64"	STBC450
4-34/64"	4-52/64"	STBC475
4-50/64"	5-4/64"	STBC500
5-2/64"	5-20/64"	STBC525
5-18/64"	5-36/64"	STBC550
5-34/64"	5-52/64"	STBC575
5-50/64"	6-4/64"	STBC600
6-2/64"	6-20/64"	STBC625
6-18/64"	6-36/64"	STBC650
6-34/64"	6-52/64"	STBC675
6-50/64"	7-4/64"	STBC700
7-18/64"	7-36/64"	STBC750
7-50/64"	8-4/64"	STBC800
8-18/64"	8-36/64"	STBC850
8-42/64"	8-60/64"	STBC888
10-40/64"	10-60/64"	STBC1088
12-40/64"	12-60/64"	STBC1288

Styles HTBC & HSTBC-

T-bolts can be applied with a standard 1/2" socket wrench.



Heavy Duty

Style HTBC

Stainless Steel Band, Carbon Steel Bolt

Style HSTBC

Stainless Steel Band, Stainless Steel Bolt

MATERIALS:

Style HTBC -

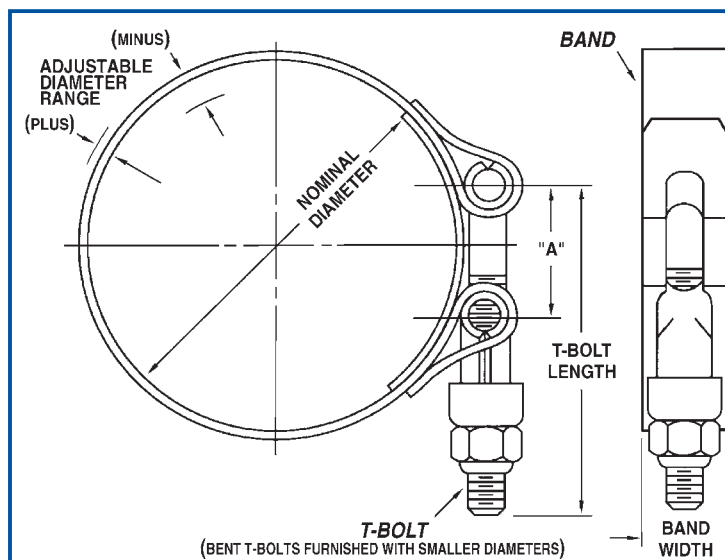
- 7/8" wide 300 series Stainless Steel band, .040" thick.
- Opens 3/32" above and tightens 7/32" smaller than nominal I.D. for a total of 5/16" range.
- Carbon Steel bolt.
- Torque rating is 240 in/lbs.

Style HSTBC -

- 7/8" wide 300 series Stainless Steel band, .040" thick.
- Opens 3/32" above and tightens 7/32" smaller than nominal I.D. for a total of 5/16" range.
- 300 series Stainless Steel bolt.
- Torque rating is 180 in/lbs.

Hose O.D. Range		Part #
From	To	
2-10/64"	2-30/64"	HTBC238
2-18/64"	2-38/64"	HTBC250
2-50/64"	3-6/64"	HTBC300
3-18/64"	3-38/64"	HTBC350
3-50/64"	4-6/64"	HTBC400
4-18/64"	4-38/64"	HTBC450
4-50/64"	5-6/64"	HTBC500
5-18/64"	5-38/64"	HTBC550
5-50/64"	6-6/64"	HTBC600
6-18/64"	6-38/64"	HTBC650
6-50/64"	7-6/64"	HTBC700
7-18/64"	7-38/64"	HTBC750
7-50/64"	8-6/64"	HTBC800

Hose O.D. Range		Part #
From	To	
2-10/64"	2-30/64"	HSTBC238
2-18/64"	2-38/64"	HSTBC250
2-50/64"	3-6/64"	HSTBC300
3-18/64"	3-38/64"	HSTBC350
3-50/64"	4-6/64"	HSTBC400
4-18/64"	4-38/64"	HSTBC450
4-50/64"	5-6/64"	HSTBC500
5-18/64"	5-38/64"	HSTBC550
5-50/64"	6-6/64"	HSTBC600
6-18/64"	6-38/64"	HSTBC650
6-50/64"	7-6/64"	HSTBC700
7-18/64"	7-38/64"	HSTBC750
7-50/64"	8-6/64"	HSTBC800



clamp style		TBC & STBC	HTBC & HSTBC
"A"	(center to center)	1-3/16"	1-3/8"
T-BOLT	THREAD	1/4-28 UNF3A	5/16-24 UNF3A
	LENGTH	2-1/2"	3-1/2"
BAND	WIDTH	3/4"	7/8"
	THICKNESS	.025"	.040"
	MINIMUM DIAMETER	1-3/16"	2-5/32"
	NOMINAL DIAMETER Adjustable Range (PLUS) to (MINUS)	5/64" to 15/64"	6/64" to 14/64"

GENERAL SAFETY STATEMENT

Dixon's couplings and retention devices are designed to work safely for their intended use. The selection of the proper hose, coupling, and retention devices; and the proper application of the coupling to the hose are of utmost importance. Users must consider the size, temperature, application, media, pressure, and hose and coupling manufacturer's recommendations when selecting the proper hose assembly components. Dixon recommends that all hose assemblies be tested in accordance with the Rubber Manufacturers Association's recommendations and be inspected regularly (before each use), to ensure that they are not damaged or have become loose.

Safety devices are integral to the coupling and must be working and utilized. The use of supplementary safety devices, such as safety clips and King Cables, are recommended. If any problem is detected, couplings must be removed from service immediately.

Dixon is available to consult, train, and recommend the proper selection and application of all fittings we sell. We strongly recommend that distributors and end users make use of Dixon's Testing and Recommendations Services. Dixon can be contacted at 1-800-355-1991.



Dixon Valve & Coupling
800 High Street
Chestertown, MD 21620
Phone: 800-355-1991
Fax: 800-283-4966
www.dixonvalve.com