

# T-Bolt Clamps



*The Right Connection™*

## Standard Series



- T-bolts can be applied with a standard 7/16" socket wrench
- 3/4" wide 300 series stainless steel band, .025" thick
- **TBC style clamps** have an alloy steel bolt. **Torque rating 70 in/lbs**
- **STBC style clamps** have a 300 series stainless steel bolt. **Torque rating 50 in/lbs**

### Style TBC

*stainless steel band, carbon steel bolt*

Hose O.D. Range		Part #	Hose O.D. Range		Part #
From:	To:		From:	To:	
1.250"	1.406"	<b>TBC131</b>	3.516"	3.812"	<b>TBC375</b>
1.344"	1.562"	<b>TBC150</b>	3.586"	3.882"	<b>TBC382</b>
1.594"	1.812"	<b>TBC175</b>	3.766"	4.062"	<b>TBC400</b>
1.724"	1.942"	<b>TBC188</b>	4.016"	4.312"	<b>TBC425</b>
1.844"	2.062"	<b>TBC200</b>	4.266"	4.562"	<b>TBC450</b>
2.094"	2.312"	<b>TBC225</b>	4.516"	4.812"	<b>TBC475</b>
2.224"	2.442"	<b>TBC238</b>	4.766"	5.062"	<b>TBC500</b>
2.344"	2.562"	<b>TBC250</b>	5.016"	5.312"	<b>TBC525</b>
2.326"	2.622"	<b>TBC256</b>	5.266"	5.562"	<b>TBC550</b>
2.396"	2.692"	<b>TBC263</b>	5.516"	5.812"	<b>TBC575</b>
2.516"	2.812"	<b>TBC275</b>	5.766"	6.062"	<b>TBC600</b>
2.646"	2.942"	<b>TBC288</b>	6.016"	6.312"	<b>TBC625</b>
2.766"	3.062"	<b>TBC300</b>	6.266"	6.562"	<b>TBC650</b>
2.886"	3.182"	<b>TBC312</b>	6.516"	6.812"	<b>TBC675</b>
3.016"	3.312"	<b>TBC325</b>	6.766"	7.062"	<b>TBC700</b>
3.266"	3.562"	<b>TBC350</b>	7.266"	7.562"	<b>TBC750</b>

### Style STBC

*stainless steel band, stainless steel bolt*

Hose O.D. Range		Part #	Hose O.D. Range		Part #
From:	To:		From:	To:	
1.250"	1.406"	<b>STBC131</b>	4.016"	4.312"	<b>STBC425</b>
1.344"	1.562"	<b>STBC150</b>	4.266"	4.562"	<b>STBC450</b>
1.594"	1.812"	<b>STBC175</b>	4.516"	4.812"	<b>STBC475</b>
1.724"	1.942"	<b>STBC188</b>	4.766"	5.062"	<b>STBC500</b>
1.844"	2.062"	<b>STBC200</b>	5.016"	5.312"	<b>STBC525</b>
2.182"	1.964"	<b>STBC212</b>	5.266"	5.562"	<b>STBC550</b>
2.094"	2.312"	<b>STBC225</b>	5.516"	5.812"	<b>STBC575</b>
2.224"	2.442"	<b>STBC238</b>	5.766"	6.062"	<b>STBC600</b>
2.344"	2.562"	<b>STBC250</b>	6.016"	6.312"	<b>STBC625</b>
2.326"	2.622"	<b>STBC256</b>	6.266"	6.562"	<b>STBC650</b>
2.396"	2.692"	<b>STBC263</b>	6.516"	6.812"	<b>STBC675</b>
2.516"	2.812"	<b>STBC275</b>	6.766"	7.062"	<b>STBC700</b>
2.646"	2.942"	<b>STBC288</b>	7.266"	7.562"	<b>STBC750</b>
2.766"	3.062"	<b>STBC300</b>	7.766"	8.062"	<b>STBC800</b>
2.886"	3.182"	<b>STBC312</b>	8.266"	8.562"	<b>STBC850</b>
3.016"	3.312"	<b>STBC325</b>	8.942"	8.646"	<b>STBC888</b>
3.266"	3.562"	<b>STBC350</b>	8.766"	9.062"	<b>STBC900</b>
3.682"	3.386"	<b>STBC362</b>	9.266"	9.562"	<b>STBC950</b>
3.516"	3.812"	<b>STBC375</b>	9.766"	10.062"	<b>STBC1000</b>
3.586"	3.882"	<b>STBC382</b>	10.646"	10.942"	<b>STBC1088</b>
3.766"	4.062"	<b>STBC400</b>	11.766"	12.062"	<b>STBC1200</b>
			12.646"	12.942"	<b>STBC1288</b>

# Heavy Duty Series



- T-bolts can be applied with a standard 1/2" socket wrench
- 7/8" wide 300 series stainless steel band, .040" thick
- **HTBC style clamps** have a carbon steel bolt. **Torque rating 240 in/lbs**
- **HSTBC style clamps** have a 300 series stainless steel bolt. **Torque rating 180 in/lbs**

## Style HTBC

*stainless steel band, carbon steel bolt*

Hose O.D. Range		Part #
From:	To:	
2.125"	2.4375"	<b>HTBC238</b>
2.250"	2.5625"	<b>HTBC250</b>
2.750"	3.0625"	<b>HTBC300</b>
3.250"	3.5625"	<b>HTBC350</b>
3.750"	4.0625"	<b>HTBC400</b>
4.250"	4.5625"	<b>HTBC450</b>
4.750"	5.0625"	<b>HTBC500</b>
5.250"	5.5625"	<b>HTBC550</b>
5.750"	6.0625"	<b>HTBC600</b>
6.250"	6.5625"	<b>HTBC650</b>
6.750"	7.0625"	<b>HTBC700</b>
7.250"	7.5625"	<b>HTBC750</b>
7.750"	8.0625"	<b>HTBC800</b>

## Style HSTBC

*stainless steel band, stainless steel bolt*

Hose O.D. Range		Part #	Hose O.D. Range		Part #
From:	To:		From:	To:	
2.125"	2.4375"	<b>HSTBC238</b>	6.750"	7.0625"	<b>HSTBC700</b>
2.250"	2.5625"	<b>HSTBC250</b>	7.250"	7.5625"	<b>HSTBC750</b>
2.750"	3.0625"	<b>HSTBC300</b>	7.750"	8.0625"	<b>HSTBC800</b>
3.250"	3.5625"	<b>HSTBC350</b>	8.250"	8.5625"	<b>HSTBC850</b>
3.750"	4.0625"	<b>HSTBC400</b>	8.625"	8.9375"	<b>HSTBC888</b>
4.250"	4.5625"	<b>HSTBC450</b>	8.750"	9.0625"	<b>HSTBC900</b>
4.750"	5.0625"	<b>HSTBC500</b>	9.250"	9.5625"	<b>HSTBC950</b>
5.250"	5.5625"	<b>HSTBC550</b>	9.750"	10.0625"	<b>HSTBC1000</b>
5.750"	6.0625"	<b>HSTBC600</b>	10.625"	10.9375"	<b>HSTBC1088</b>
6.250"	6.5625"	<b>HSTBC650</b>	11.750"	12.0625"	<b>HSTBC1200</b>
			12.625"	12.9375"	<b>HSTBC1288</b>

## Long Bolt Series



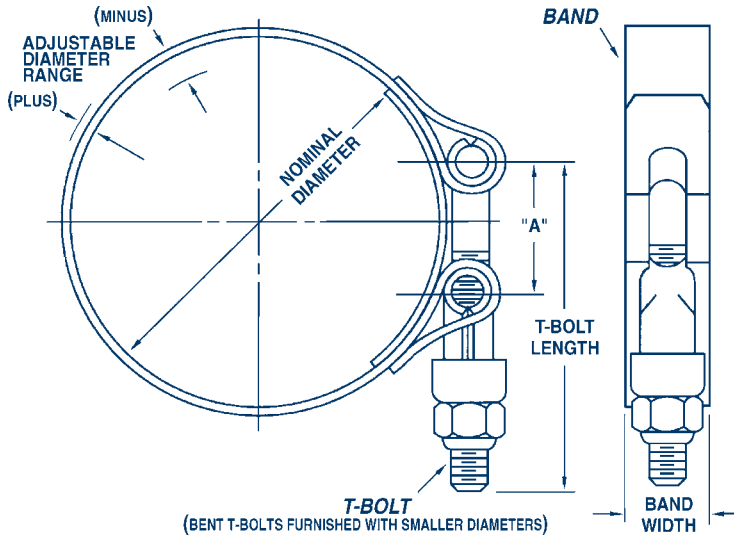
- T-bolts can be applied with a standard 7/16" socket wrench
- 3/4" wide 300 series stainless steel band, .025" thick
- **STBCL style clamps** have a 300 series stainless steel bolt. **Torque rating 50 in/lbs**

### Style STBCL

*stainless steel band, stainless steel bolt*

Hose O.D. Range		Part #
From:	To:	
2.80"	3.37"	<b>STBC325L</b>
3.05"	3.62"	<b>STBC350L</b>
3.37"	3.94"	<b>STBC382L</b>
3.55"	4.12"	<b>STBC400L</b>
3.75"	4.32"	<b>STBC420L</b>
3.87"	4.44"	<b>STBC432L</b>
4.05"	4.62"	<b>STBC450L</b>
4.37"	4.94"	<b>STBC482L</b>
4.55"	5.12"	<b>STBC500L</b>
4.87"	5.44"	<b>STBC532L</b>
5.05"	5.62"	<b>STBC550L</b>
5.37"	5.94"	<b>STBC582L</b>
5.55"	6.12"	<b>STBC600L</b>
5.87"	6.44"	<b>STBC632L</b>
6.05"	6.62"	<b>STBC650L</b>
6.30"	6.87"	<b>STBC675L</b>
6.53"	7.10"	<b>STBC698L</b>
6.55"	7.12"	<b>STBC700L</b>
6.62"	7.19"	<b>STBC707L</b>
8.30"	8.87"	<b>STBC875L</b>
8.62"	9.19"	<b>STBC907L</b>
10.25"	10.82"	<b>STBC1070L</b>
10.43"	11.00"	<b>STBC1088L</b>
10.62"	11.19"	<b>STBC1107L</b>
10.72"	11.29"	<b>STBC1117L</b>
12.20"	12.77"	<b>STBC1265L</b>
12.43"	13.00"	<b>STBC1288L</b>
12.75"	13.32"	<b>STBC1320L</b>
14.20"	14.77"	<b>STBC1465L</b>
14.43"	15.00"	<b>STBC1488L</b>
14.75"	15.32"	<b>STBC1520L</b>
16.20"	16.77"	<b>STBC1665L</b>
16.43"	17.00"	<b>STBC1688L</b>

# Technical Specifications



		Standard clamp style TBC & STBC	Heavy Duty clamp style HTBC & HSTBC	Long Bolt clamp style STBCL
Dimension "A"	<i>center to center</i>	1-3/16"	1-3/8"	2"
T-Bolt	<i>thread size</i>	1/4-28 UNF3A	5/16-24 UNF3A	1/4-28 UNF3A
	<i>bolt length</i>	2-1/2"	3-1/2"	3-1/2"
Band	<i>width</i>	3/4"	7/8"	3/4"
	<i>thickness</i>	.025"	.040"	.025"
	<i>minimum diameter</i>	1-3/16"	2-5/8"	3-1/4"
	<i>nominal diameter adjustable range (+) to (-)</i>	5/64" to 15/64"	6/64" to 14/64"	8/16" to 29/64"

## General Safety

- Use Dixon couplings, retention devices and accessory products **only** for their intended service.
- All recommendations of the Hose Manufacturer, and the Coupling Manufacturer, must be employed with regards to **Size, Temperature, Application, Media, and Pressure** when selecting the components for a hose assembly.
- All finished hose assemblies should be tested in accordance with the **Rubber Manufacturers Association** recommendations.
- All hose assemblies should be thoroughly inspected prior to each use to insure they are undamaged, and properly coupled.
- Use safety clips on couplings, and King Safety Cables on assemblies where required by the manufacturer, as well as State and Federal regulations.
- Call Dixon (1-800-355-1991) for advice on couplings, retention devices, and accessories for your application.

Through its divisions and affiliated companies, Dixon is recognized as the premier manufacturer and supplier of hose fittings and accessories spanning a wide range of industrial uses. Dixon's reach includes products for fire protection, food, dairy processing, beverage and brewery, mobile tankers, mining, construction, chemical processing, petroleum, oilfields, refining, nuclear and manufacturing.



*The Right Connection™*

## **Dixon Valve & Coupling Company**

800 High Street

Chestertown, MD 21620

Customer Service: 877.963.4966

Fax: 800.283.4966

**[www.dixonvalve.com](http://www.dixonvalve.com)**