

# Holedall Petroleum Fittings



*The Right Connection™*

## Internally Expanded Permanent Couplings - Scovill Style

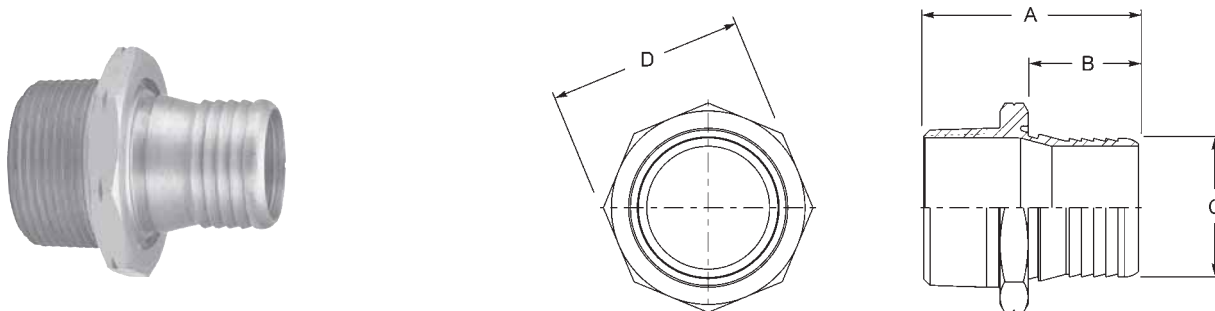
Brass internally expanded permanent coupling are recommended for low pressure discharge and suction service. Commonly used in the transfer of fuel in industry to homes, airplanes, ships, etc. The working pressure of the 520-H fitting varies with the size of the fitting, the size and construction of the hose and the media being conveyed. Consult the factory for recommendations. Dixon Holedall stems and ferrules are specifically designed to be used together as a coupling system. *Due to differences in dimensions and tolerances for safety reasons, do not use other manufacturer's stems or ferrules with Dixon Holedall products.*

Both the male and female have octagonal facets for tightening with a wrench. The female in 1½" and larger sizes has special lugs for tightening. Couplings grip hose firmly over a broad area to provide a permanent, trouble-free assembly. The stem is expanded to nominal I.D. of hose for a rigid, uniform, full-flow area.

- Male and female stems are machined from bar stock or solid brass forgings; ferrules are available in brass and stainless steel.
- Couplings are compact, light and streamlined to eliminate catching on curbs and shrubs.
- The H520 fittings are designed for internal expansion only.
- Couplings are pre-lubricated for assembly.
- Hand and electrically operated installation equipment is available. Consult factory for pricing and availability.

## 520-H Series

Male Threaded End x Hose Shank



Thread Type	Hose Size	Part #	A Over All Length	B Shank Length	C Shank Diameter	D Across Flats
NPT	3/4"	<b>H5192</b>	1-31/32	1	3/4	1-1/2
	1"	<b>H5212-A</b>	2-1/4	1-1/8	1	1-13/16
	1-1/4"	<b>H5222-A</b>	2-27/64	1-1/4	1-1/4	2-1/8
	1-3/8"	<b>H5272</b> <sup>1</sup>	2-23/32	1-7/16	1-3/8	2-3/8
	1-1/2"	<b>H5232-A</b>	2-21/32	1-7/16	1-1/2	2-3/8
	2"	<b>H5242</b>	3-1/8	1-3/4	2	3
	2-1/2"	<b>H5252</b>	3-7/8	2	2-1/2	3-1/2
	3"	<b>H5262</b>	4-1/2	2-3/8	3	4-1/16
NST	1"	<b>H5212NST</b>	2	1-1/8	1	1-13/16
	1-1/2"	<b>H5232NST</b>	2-3/8	1-7/16	1-1/2	2-3/8

Long Style<sup>2</sup>

NPT	2"	<b>H5242L-A</b>	3-11/16	2-5/16	2	3
	2-1/2"	<b>H5252L-A</b>	4-15/16	3-1/16	2-1/2	3-1/2
	3"	<b>H5262L-A</b>	5-3/4	3-5/8	3	4-1/16

<sup>1</sup> 1-3/8" coupling has 1-1/2" thread.

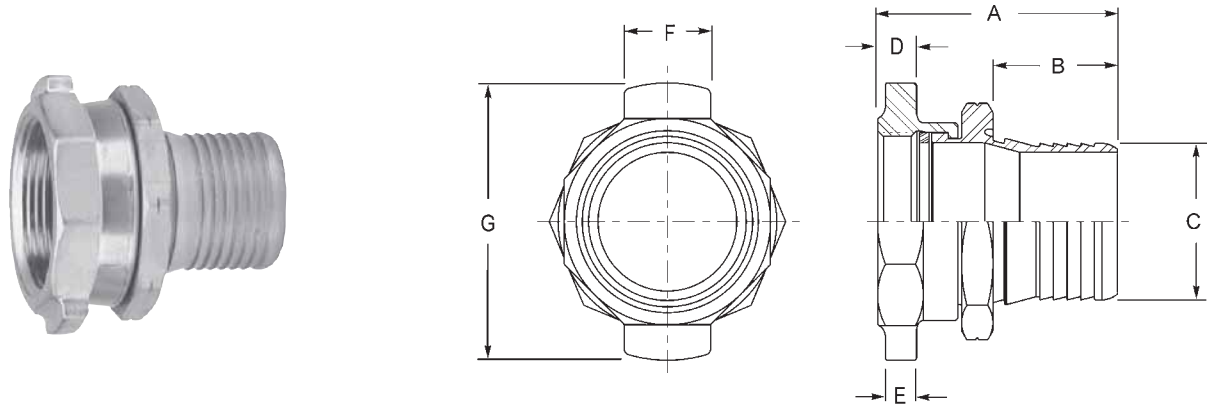
<sup>2</sup> Long shank stems to be used with long shank stainless ferrules on page 4.



**Do not interchange with other manufacturer's fittings.**

## 520-H Series

Female Threaded End x Hose Shank



Thread Type	Hose Size	Part #	A Over All Length	B Shank Length	C Shank Diameter	D Nut Thickness	E Lug Thickness	F Lug Width	G Across Lugs
NPSH	3/4"	<b>H5191-BU</b>	2-3/16	1	3/4	3/8	----	----	1-5/16
	1"	<b>H5211-A-BU</b>	2-9/32	1-1/8	1	3/8	----	----	1-5/8
	1-1/4"	<b>H5221-A-BU</b>	2-19/32	1-1/4	1-1/4	15/32	----	----	1-15/16
	1-3/8"	<b>H5271-BU</b> <sup>1</sup>	2-3/4	1-7/16	1-3/8	15/32	9/32	15/16	2-9/32
	1-1/2"	<b>H5231-A-BU</b>	2-27/32	1-7/16	1-1/2	15/32	9/32	15/16	2-9/32
	2"	<b>H5241-BU</b>	3-1/2	1-3/4	2	19/32	3/8	1-1/8	3-9/16
NPSM	2-1/2"	<b>H5251</b>	4-1/8	2	2-1/2	5/8	1/2	1-3/8	4-7/16
	3"	<b>H5261</b>	4-5/8	2-3/8	3	9/16	7/16	1-9/16	5-3/16
	4"	<b>H5281</b>	4-11/16	2-5/16	4	3/4	1/2	2	6-1/4
NST	1"	<b>H5211NST</b>	2-9/32	1-1/8	1	3/8	----	----	1-5/8
	1-1/2"	<b>H5231NST</b> <sup>2</sup>	2-27/32	1-7/16	1-1/2	15/32	9/32	15/16	2-9/32

Long Style<sup>3</sup>

NPSH	2"	<b>H5241L-A-BU</b>	4-1/16	2-5/16	2	19/32	3/8	1-1/8	3-9/16
NPSM	2-1/2"	<b>H5251L-A-BU</b>	5-3/16	3-1/16	2-1/2	5/8	1/2	1-3/8	4-7/16
	3"	<b>H5261L-A-BU</b>	5-7/8	3-5/8	3	9/16	7/16	1-9/16	5-3/16

<sup>1</sup> 1-3/8" coupling has 1-1/2" thread.<sup>2</sup> 1½" NST requires special adapter, part # **H5231NSTADT**<sup>3</sup> Long shank stems to be used with long shank stainless ferrules on page 4.

- 3/4" - 1-3/8" are not available with lugs.
- Dimensional information given relates to the distance across the flats of the nut.
- Replacement washers listed below

**Do not interchange with other manufacturer's fittings.**

SAFETY  
ALERT

## Replacement Washers

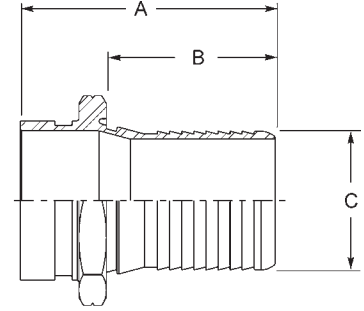
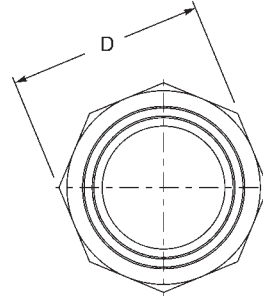
Replacement washers for 520-H female internally expanded permanent couplings above.

Size	Buna Part #
3/4"	<b>H5071-BU</b>
1"	<b>H5072-BU</b>
1¼"	<b>H5073-BU</b>
1½"	<b>H5074-BU</b>
2"	<b>H5075-BU</b>
2½"	<b>H5076-BU</b>
3"	<b>H5077-BU</b>
4"	<b>H5078-BU</b>



### 520-G Series

Grooved End x Hose Shank



Hose Size	Part #	A Over All Length	B Shank Length	C Shank Diameter	D Across Flats
1"	<b>G5212</b>	2-5/16	1-1/8	1	1-13/16
1-1/2"	<b>G5232</b>	2-3/4	1-7/16	1-1/2	2-3/8
2"	<b>G5242</b>	3-1/8	1-3/4	2	3

### 520-H Ferrules



A wide range of 520-H ferrules permits a perfect assembly of a coupling to a corresponding size of hose within commercial tolerances. Eliminates need for large stock of coupling bodies. Consult Dixon for other hose O.D.'s. Stainless steel ferrules are for use with internally expanded long shank permanent couplings on pages 2 and 3.

**For 520-H Long Shanks**  
*Stainless Steel*

*Brass*

Hose I.D.	Hose O.D. Range		Brass Part #	Hose I.D.	Hose O.D. Range		Brass Part #	Stainless Steel ** Part #
	From	To			From	To		
3/4"	1-8/64"	1-11/64"	<b>R75AAS</b>	2"	2-27/64"	2-30/64"	<b>R2AAS</b>	<b>R2AASS</b>
	1-12/64"	1-14/64"	<b>R75AS</b>		2-31/64"	2-34/64"	<b>R2AS</b>	<b>R2ASS</b>
	1-15/64"	1-17/64"	<b>R75BS</b>		2-35/64"	2-38/64"	<b>R2BS</b>	<b>R2BSS</b>
	1-18/64"	1-20/64"	<b>R75CS</b>		2-39/64"	2-42/64"	<b>R2CS</b>	<b>R2CSS</b>
1" *	1-24/64"	1-26/64"	<b>R1AAAS</b>		2-43/64"	2-46/64"	<b>R2DS</b>	<b>R2DSS</b>
	1-27/64"	1-29/64"	<b>R1AAS</b>		2-47/64"	2-50/64"	<b>R2E</b>	---
	1-30/64"	1-32/64"	<b>R1AS</b>		2-51/64"	2-54/64"	<b>R2FS</b>	---
	1-33/64"	1-35/64"	<b>R1BS</b>		2 1/2"	2-62/64"	3-1/64"	<b>R25AS</b>
	1-36/64"	1-38/64"	<b>R1CS</b>	3-2/64"		3-6/64"	<b>R25BS</b>	<b>R25BSS</b>
	1-39/64"	1-41/64"	<b>R1DS</b>	3-7/64"		3-11/64"	<b>R25CS</b>	<b>R25CSS</b>
1-42/64"	1-44/64"	<b>R1ES</b>	3-12/64"	3-16/64"		<b>R25DS</b>	<b>R25DSS</b>	
1 1/4" *	1-39/64"	1-42/64"	<b>R125AAS</b>	3-17/64"	3-21/64"	<b>R25ES</b>	---	
	1-43/64"	1-46/64"	<b>R125AS</b>	3-22/64"	3-26/64"	<b>R25FS</b>	---	
	1-47/64"	1-50/64"	<b>R125BS</b>	3"	3-30/64"	3-34/64"	<b>R3AAAS</b>	<b>R3AAASS</b>
	1-51/64"	1-54/64"	<b>R125CS</b>		3-35/64"	3-39/64"	<b>R3AAS</b>	<b>R3AASS</b>
	1-55/64"	1-58/64"	<b>R125DS</b>		3-40/64"	3-45/64"	<b>R3AS</b>	<b>R3ASS</b>
1-59/64"	1-62/64"	<b>R125ES</b>	3-46/64"	3-50/64"	<b>R3BS</b>	<b>R3BSS</b>		
1-3/8"	1-47/64"	1-50/64"	<b>R1375BS</b>	3-51/64"	3-54/64"	<b>R3CS</b>	<b>R3CSS</b>	
	1-51/64"	1-54/64"	<b>R1375CS</b>	4"	4-35/64"	4-36/64"	<b>R4AAAS</b>	** 2", 2 1/2" and 3" stainless steel long ferrules will be replaced by API ferrules on page 5 as inventory is depleted.
	1-55/64"	1-58/64"	<b>R1375DS</b>		4-37/64"	4-38/64"	<b>R4AAS</b>	
	1-59/64"	1-62/64"	<b>R1375ES</b>		4-39/64"	4-40/64"	<b>R4AS</b>	
1-54/64"	1-57/64"	<b>R15AAAS</b>	4-41/64"		4-42/64"	<b>R4BS</b>		
1-58/64"	1-62/64"	<b>R15AAS</b>	4-43/64"		4-44/64"	<b>R4CS</b>		
1-63/64"	2-2/64"	<b>R15AS</b>	4-45/64"		4-46/64"	<b>R4DS</b>		
2-3/64"	2-6/64"	<b>R15BS</b>	4-47/64"		4-48/64"	<b>R4ES</b>		
2-7/64"	2-11/64"	<b>R15CS</b>	4-49/64"		4-50/64"	<b>R4FS</b>		
2-12/64"	2-14/64"	<b>R15DS</b>	4-51/64"	4-52/64"	<b>R4GS</b>			
2-15/64"	2-19/64"	<b>R15ES</b>	4-53/64"	4-54/64"	<b>R4HS</b>			
2-20/64"	2-24/64"	<b>R15FS</b>						
2-25/64"	2-28/64"	<b>R15GS</b>						

\* 1", 1 1/4" and 1 1/2" ferrules will be replaced by API ferrules on page 5 as inventory is depleted.

## API Certified Fittings

The following fittings have been tested and are compliant with API 1529 6th edition. Coupling procedures, ferrule recommendations and API test data are available upon request, please contact the factory. API 1529 6th edition testing was conducted in cooperation with the following API hose manufacturers:



### 520-H Series API Certified Permanently Attached Couplings



Male



Female

Hose Size	Thread	Part #
1"	NPT	H5212-A
1¼"	NPT	H5222-A
1½"	NPT	H5232-A
2"	NPT	H5242L-A
2½"	NPT	H5252L-A
3"	NPT	H5262L-A
4"	NPT	H5282L-A

Hose Size	Thread	Assembly Part # with Buna washer
1"	NPSH	H5211-A-BU
1¼"	NPSH	H5221-A-BU
1½"	NPSH	H5231-A-BU
2"	NPSH	H5241L-A-BU
2½"	NPSM	H5251L-A-BU
3"	NPSM	H5261L-A-BU
4"	NPSM	H5281L-A-BU

### 520-H Series Ferrules



Brass

Hose I.D.	Hose O.D. Range		Brass Part #
	From	To	
1"	1-24/64"	1-26/64"	R1AAAS-A
	1-27/64"	1-29/64"	R1AAS-A
	1-30/64"	1-32/64"	R1AS-A
	1-33/64"	1-35/64"	R1BS-A
	1-36/64"	1-38/64"	R1CS-A
	1-39/64"	1-41/64"	R1DS-A
	1-42/64"	1-44/64"	R1ES-A
1¼"	1-39/64"	1-42/64"	R125AAS-A
	1-43/64"	1-46/64"	R125AS-A
	1-47/64"	1-50/64"	R125BS-A
	1-51/64"	1-54/64"	R125CS-A
	1-55/64"	1-58/64"	R125DS-A
	1-59/64"	1-62/64"	R125ES-A
1½"	1-54/64"	1-57/64"	R15AAAS-A
	1-58/64"	1-62/64"	R15AAS-A
	1-63/64"	2-2/64"	R15AS-A
	2-3/64"	2-6/64"	R15BS-A
	2-7/64"	2-11/64"	R15CS-A
	2-12/64"	2-14/64"	R15DS-A
	2-15/64"	2-19/64"	R15ES-A

Stainless Steel

Hose I.D.	Hose O.D. Range		304 Stainless Steel Part #
	From	To	
2"	2-31/64"	2-34/64"	R2ASS-A
	2-35/64"	2-38/64"	R2BSS-A
	2-39/64"	2-42/64"	R2CSS-A
	2-43/64"	2-46/64"	R2DSS-A
	2-47/64"	2-50/64"	R2ESS-A
	2½"	2-62/64"	3-1/64"
3-2/64"		3-6/64"	R25BSS-A
3-7/64"		3-11/64"	R25CSS-A
3-12/64"		3-16/64"	R25DSS-A
3"	3-17/64"	3-21/64"	R25ESS-A
	3-35/64"	3-39/64"	R3AASS-A
	3-40/64"	3-45/64"	R3ASS-A
	3-46/64"	3-50/64"	R3BSS-A
	3-51/64"	3-54/64"	R3CSS-A
	3-55/64"	3-59/64"	R3DSS-A
4"	4-46/64"	4-48/64"	R4ESS-A
	4-49/64"	4-51/64"	R4FSS-A
	4-52/64"	4-54/64"	R4GSS-A
	4-55/64"	4-57/64"	R4HSS-A
	4-58/64"	4-59/64"	R4KSS-A
	4-60/64"	4-62/64"	R4LSS-A
	4-63/64"	5"	R4MSS-A

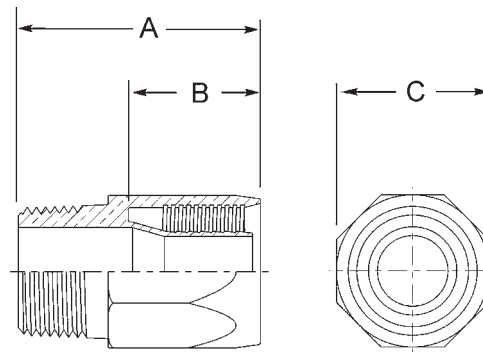
## Internally Expanded Permanent Couplings

The most economical and trouble-free couplings for gas pump hose. Serrations on the stem become imbedded in the hose eliminating wicking and leakage. The shell extends beyond the stem to prevent cutting of interior walls. Tapered ends of stem and shell protect hose when flexed.

- Couplings provide tamper-proof static connection which cannot be broken without completely damaging coupling and hose.
- Internal expansion of stem to nominal I.D. of hose provides full flow
- Broad, firm grip of coupling extends hose life by making it possible for hose to withstand more flexings.
- Hand and electrically operated installation equipment is available. Consult factory for pricing and availability.
- **Caution:** Reattach static wire if required.

### 570-H Series

Male Threaded End x Hose Shank



Size				Chrome plated brass Part #	Dimensions			
Hose I.D.	x	NPT Male	x		Hose O.D.	A Over All Length	B Shank Length	C Across Flats
5/8"	x	3/4"	x	1"	<b>H5741</b>	1-57/64	1-7/64	1-3/16
5/8"	x	3/4"	x	1-1/32"	<b>H5742</b>	1-57/64	1-7/64	1-3/16
3/4"	x	3/4"	x	1-9/64"	<b>H5751</b>	2-5/64	1-9/32	1-5/16
3/4"	x	3/4"	x	1-11/64"	<b>H5752</b>	2-5/64	1-9/32	1-5/16
3/4"	x	3/4"	x	1-13/64"	<b>H5753</b>	2-5/64	1-9/32	1-5/16
3/4"	x	3/4"	x	1-7/32"	<b>H5754</b>	2-5/64	1-9/32	1-3/8
3/4"	x	3/4"	x	1-17/64"	<b>H5755</b> <sup>1</sup>	2-5/64	1-9/32	1-19/32
1"	x	1"	x	1-25/64"	<b>H5771</b>	2-21/64	1-15/32	1-19/32
1"	x	1"	x	1-29/64"	<b>H5772</b>	2-21/64	1-7/16	1-19/32
1"	x	1"	x	1-1/2"	<b>H5773</b>	2-21/64	1-7/16	1-23/32
1"	x	1"	x	1-9/16"	<b>H5774</b>	2-21/64	1-7/16	1-23/32

<sup>1</sup> Thrust plate is required (#25000HTL15)

### HB Coupling Expander Machine



- Hand operated, pull through type expander
- For use in a fixed location for small production runs or as a portable repair type expander.
- Attaches sizes 3/4" through 2" of the 520-H Series couplings, and all sizes of 570-H and 580-H Series couplings.

**Note:** Expander tooling sold separately.

Part #

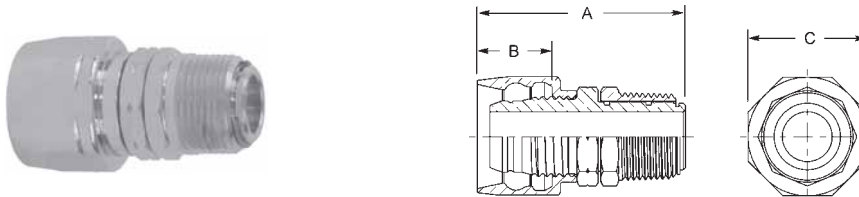
**2500HB0000**

## Dubl-Grip® Reattachable Couplings for Curb Pump Hose

Two-piece re-attachable coupling made of chrome-plated brass for pump hose. Streamlined design prevents damage to hose and fits smartly on new pump equipment. Wide, flat surfaces of body threads protect inside of hose from breaking. Tapered surfaces of sleeve and body cradle hose, prevent one-point strain from flexing. Hose is gripped on its full circumference in two places, insuring a rigid leakproof connection.

- Worn portion of hose can be removed and Dubl-Grip® can be reapplied.
- Easy assembly:  
Hose is held in position by sleeve as body is threaded home.  
Only a wrench is required to assemble the Dubl-Grip®.
- **Caution:** Reattach static wire if required.

### H-600 Series Dubl-Grip® Swivel Reattachables

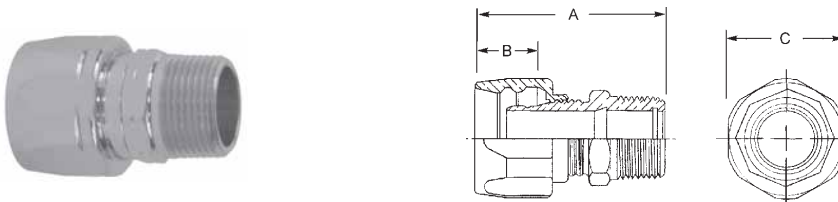


Size				Part #	Dimensions			
Hose I.D.	x	NPT Male	x		Hose O.D.	A Over All Length	B Shank Length	C Across Flats
5/8"	x	3/4"	x	1-1/16"	<b>H600</b>	2-5/8	1-1/32	1-9/32
5/8"	x	3/4"	x	1"	<b>H601</b>	2-5/8	1-1/32	1-7/32
5/8"	x	3/4"	x	1-1/32"	<b>H602</b>	2-5/8	1-1/32	1-1/4
3/4"	x	3/4"	x	1-1/8"	<b>H603</b>	2-13/16	1-1/8	1-11/32
3/4"	x	3/4"	x	1-13/64"	<b>H604</b>	2-13/16	1-5/32	1-13/32
3/4"	x	3/4"	x	1-1/4"	<b>H605</b>	2-13/16	1-1/8	1-15/32
1"	x	1"	x	1-3/8"	<b>H609</b> *	3-1/8	1-1/8	1-5/8
1"	x	1"	x	1-7/16"	<b>H610</b> *	3-1/8	1-1/8	1-23/32
1"	x	1"	x	1-1/2"	<b>H611</b> *	3-1/8	1-1/8	1-23/32

Couplings have standard male NPT threads

\* Octagonal shape

### Dubl-Grip® Reattachables



Size				Part #	Dimensions			
Hose I.D.	x	NPT Male	x		Hose O.D.	A Over All Length	B Shank Length	C Across Flats
5/8"	x	3/4"	x	1"	<b>850212</b>	2-7/16	1-1/32	1-7/32
5/8"	x	3/4"	x	1-1/32"	<b>850213</b>	2-7/16	1-1/32	1-1/4
5/8"	x	3/4"	x	1-1/16"	<b>850214</b>	2-7/16	1-1/32	1-5/16
3/4"	x	3/4"	x	1-1/8"	<b>850451</b>	2-5/8	1-1/8	1-11/32
3/4"	x	3/4"	x	1-13/64"	<b>850455</b>	2-5/8	1-5/32	1-13/32
3/4"	x	3/4"	x	1-1/4"	<b>850453</b>	2-5/8	1-1/8	1-15/32
1"	x	1"	x	1-3/8"	<b>850841</b> *	2-11/16	1-1/8	1-5/8
1"	x	1"	x	1-7/16"	<b>850801</b> *	2-11/16	1-1/8	1-23/32
1"	x	1"	x	1-1/2"	<b>850811</b> *	2-11/16	1-1/8	1-23/32

Couplings have standard male NPT threads

\* Octagonal shape

### General Safety

- Use Dixon couplings, retention devices and accessory products **only** for their intended service.
- All recommendations of the Hose Manufacturer, and the Coupling Manufacturer, must be employed with regards to **Size, Temperature, Application, Media, and Pressure** when selecting the components for a hose assembly.
- All finished hose assemblies should be tested in accordance with the **Rubber Manufacturers Association** recommendations.
- All hose assemblies should be thoroughly inspected prior to each use to insure they are undamaged, and properly coupled.
- Use safety clips on couplings, and King Safety Cables on assemblies where required by the manufacturer, as well as State and Federal regulations.
- Call Dixon (1-800-355-1991) for advice on couplings, retention devices, and accessories for your application.

Through its divisions and affiliated companies, Dixon is recognized as the premier manufacturer and supplier of hose fittings and accessories spanning a wide range of industrial uses. Dixon's reach includes products for food, dairy processing, beverage and brewery, mobile tankers, mining, construction, chemical processing, petroleum, oilfields, refining, nuclear and manufacturing.



*The Right Connection™*

**Dixon Valve & Coupling Company**

800 High Street, Chestertown, MD 21620

Customer Service: 800.355.1991

Fax: 800.283.4966

**[www.dixonvalve.com](http://www.dixonvalve.com)**