

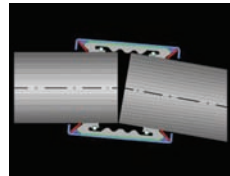


Straub

Open-Flex 1L Couplings

Joins like or dissimilar pipe materials: steel, galvanized, painted, stainless steel, thin-wall stainless steel, PVC, copper

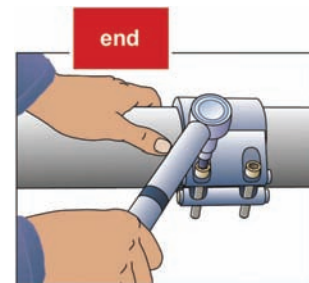
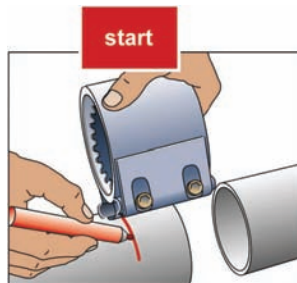
- Requires no pipe-end preparation; only a torque wrench is required for a secure and safe pipe connection that never needs retightening.
- Highest quality 316 Ti stainless steel construction
- Accommodates up to 5° of pipe misalignment
- Vary gap between pipe ends
- Absorbs vibration, water hammer, and sound
- Acts as an expansion joint; will accept up to .25" of axial movement
- 5 year limited warranty
- Reusable
- Conforms to ASTM 1476, Type 2, Class 3 specifications



Accommodates up to 5° of pipe misalignment



Lends itself well to confined areas



Straub couplings eliminate the need for threading, flanging, galling and welding. Coupling installation takes minutes instead of hours.

- 1½" installation - 2 minutes
- 4" installation - 5 minutes
- 8" installation - 9 minutes
- assembly tool available part # **STR6648**

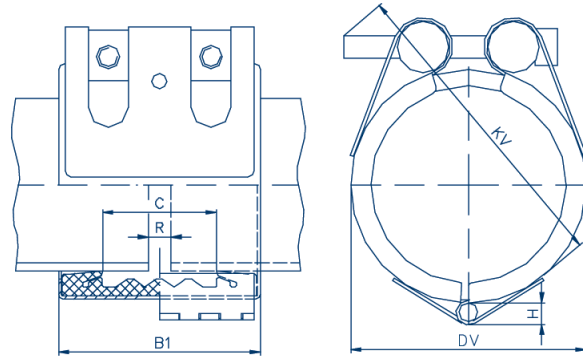
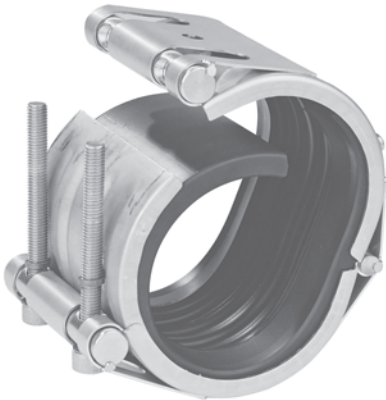


Straub Open-Flex 1L Couplings

Straub Open-Flex 1L couplings are suitable for repairing or joining pipes where access to the pipe end is difficult or not possible. This unique wrap-around design differs from similar type repair products because the installation or repair is permanent due to the unique flexible lipseal gasket design. Open-Flex couplings will also act as an expansion joint. Straub Open-Flex couplings do *require the pipes to be properly anchored and restrained* as they are *not pull-out resistant* like the Straub Grip-L couplings. Use Straub Open-Flex couplings to replace bolted sleeve type couplings (AWWA Std. C-219) or for permanent repairs or installation.

Specifications:

- Casing: AISI 316Ti
- Screws: AISI 4135 steel
- Bolts: AISI 12L 14 Galvanized
- EPDM sealing sleeve: temperature range - 4°F to 176°F (-20°C to 80°C)



Nominal Size	Pipe O.D. (in.)		Working Pressure PSI	Dimensions (in.)					Maximum Distance Between Pipe End R	Weight (lbs.)	Part #
				Coupling			Assembled				
				B	C	H	DV	KV			
1½"	1.90	1.85 - 1.95	232	3.0	1.4	.28	2.8	3.3	.20	1.10	STR35001
2"	2.38	2.32 - 2.42	232	3.0	1.4	.28	3.2	3.7	.20	1.34	STR35151
2½"	2.88	2.81 - 2.93	232	3.7	2.0	.36	3.7	4.6	.20	1.80	STR35201
3"	3.50	3.44 - 3.56	232	3.7	2.0	.36	4.4	5.2	.20	2.10	STR35351
4"	4.50	4.43 - 4.57	232	3.7	2.0	.36	5.4	6.2	.20	2.33	STR35651
5"	5.56	5.51 - 5.62	232	4.2	2.4	.38	6.4	6.9	.20	3.20	STR35901
6"	6.63	6.52 - 6.71	232	4.2	2.4	.38	7.5	8.1	.20	3.70	STR36051

SAFETY ALERT **Not pull-out resistant.**

Ensure that pipes are properly anchored and supported.

Assembly tool, part # STR6648 is available.



Dixon Valve & Coupling Co.
 800 High Street
 Chestertown, MD 21620



877.963.4966
 Fax: 800.283.4966
www.dixonvalve.com