



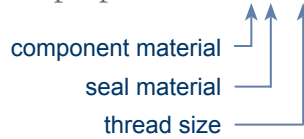
Product Configurator Sheet

Dry Break Cam & Groove

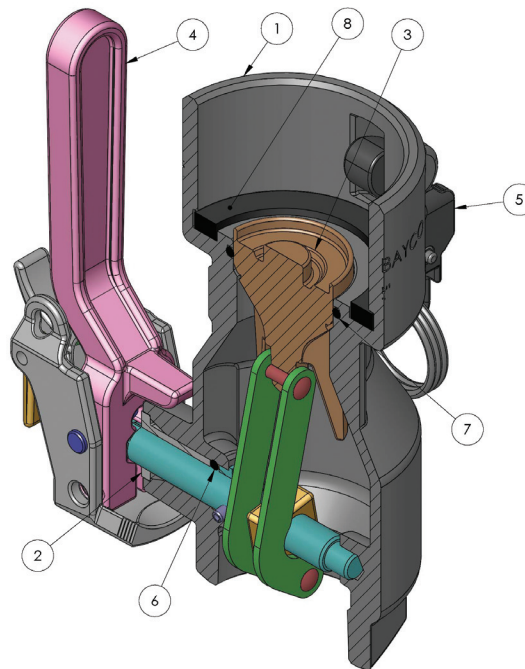
Compatible with the DBA adapters for applications where automatic closure for the coupler is not desired. This coupler is suited to vapor recovery, suction pump line and applications where it is necessary to easily drain the hose or piping for clean out. It can also be used when product retention in hose or pipe is desired but damage from accidental spill from open coupler is not a concern.

Dry Break Couplers D2C series with Female NPT

example part # D2C72-200



Dry Break Coupler with all stainless components, Viton® seals and 2" NPT thread



| | Item | Description |
|------------|------|---------------|
| Components | 1 | body |
| | 2 | bearing |
| | 3 | poppet |
| | 4 | handle |
| | 5 | cam arm |
| Seals | 6 | shaft seal |
| | 7 | poppet O-ring |
| | 8 | gasket |

All metallic parts not listed are stainless steel.
All non-metallic parts not listed are PTFE.

Component Material

| designation part number | body | bearing | poppet | handle | cam arm |
|-------------------------|-----------------|---------|-----------------|-----------------|-----------------|
| 6 | aluminum | acetal | stainless steel | stainless steel | stainless steel |
| 7 | stainless steel | PTFE | stainless steel | stainless steel | stainless steel |

Seal Material

| designation part number | shaft seal | poppet O-ring | gasket |
|-------------------------|------------|--------------------------|----------------------------|
| 1 | buna | PTFE encapsulated Viton® | buna |
| 2 | Viton® | PTFE encapsulated Viton® | Viton® |
| 3 | Kalrez® | PTFE encapsulated Viton® | PTFE encapsulated Silicone |
| 4 | EPDM | PTFE encapsulated Viton® | EPDM |
| 7 | Kalrez® | PTFE encapsulated Viton® | PTFE encapsulated Viton® |
| 9 | Viton® - B | PTFE encapsulated Viton® | Viton® - B |

Dixon
800 High Street
Chestertown, MD 21620

www.dixonvalve.com
ph 800-355-1991
fx 800-283-4966