



The Right Connection™

Bayonet style Dry Disconnects

2" couplers



coupler x straight female NPT - BC62-200

bayonet style coupler x straight female NPT

Size	Seal Material	Anodized Aluminum
2"	Buna	BC61-200
2"	Viton®	BC62-200



coupler x straight swivel female NPT - BSS62-200

bayonet style coupler x straight swivel female NPT

Size	Seal Material	Anodized Aluminum
2"	Buna	BSS61-200
2"	Viton®	BSS62-200



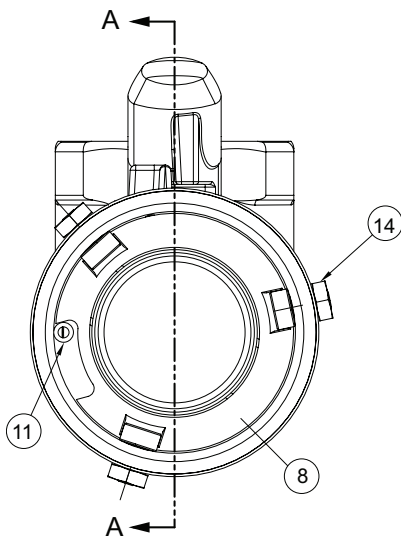
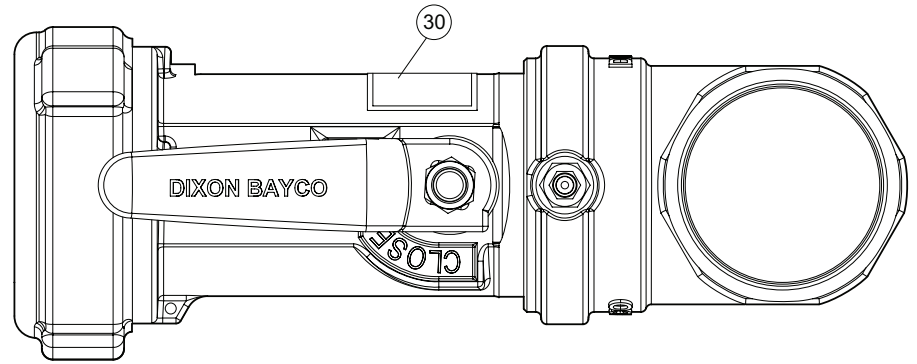
coupler x 90° swivel female NPT - BS62-200

bayonet style coupler x 90° swivel female NPT

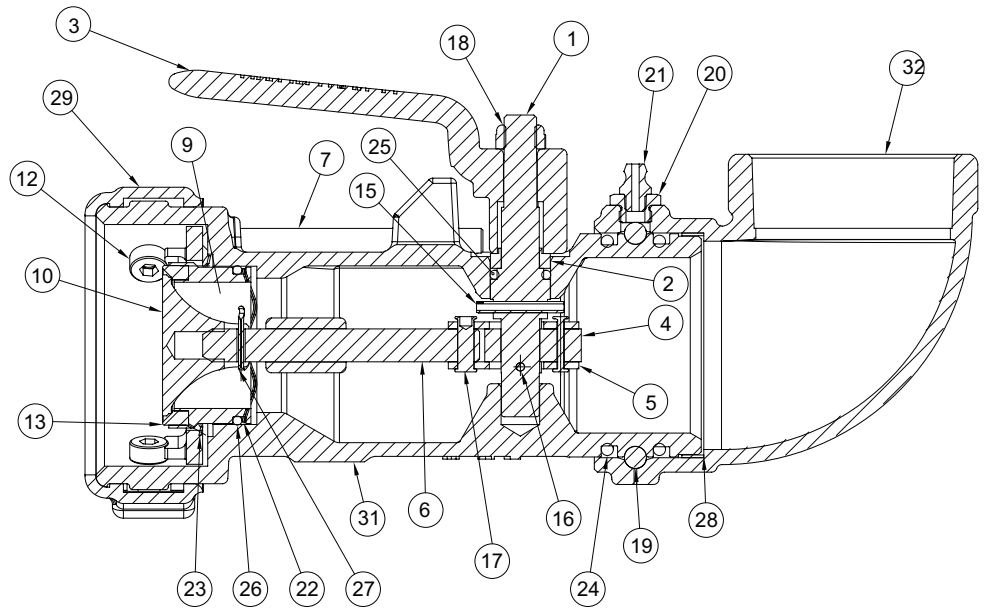
Size	Seal Material	Anodized Aluminum
2"	Buna	BS61-200
2"	Viton®	BS62-200

Bayonet Style Dry Disconnect Couplers

swivel style shown below



SHOWN WITH BUMPER RING REMOVED



SECTION A-A

Bill of Material

2" coupler

Item #	Description	Qty	Item #	Description	Qty	Item #	Description	Qty
1	shaft	1	12	bayonet stud	3	23	wave spring washer	1
2	follower	1	13	nose seal	1	24	O-ring	2
3	lever	1	14	jam nut	3	25	O-ring	1
4	link	1	15	spring pin	1	26	O-ring	1
5	bent link	2	16	grooved pin	1	27	cotter pin	1
6	stem	1	17	rivet	2	28	bearing strip	1
7	interlock pin	1	18	lock nut	1	29	bumper ring	1
8	lock rink	1	19	ball bearing	32	30	label	1
9	nose piece	1	20	ball plug	1	31	body	1
10	poppet	1	21	grease fitting	1	32	elbow	1
11	coiled pin	1	22	wave spring	2			

Bayonet Style Dry Disconnect Couplers Repair Kits

- specify seal material and coupling material when ordering kits
- seal material: Buna or Viton®
- coupling material: anodized aluminum

seal kits

<i>Kit #</i>	<i>Size Used On</i>	<i>Material</i>	<i>Contains</i>	<i>Included Item #s</i>
<i>BS61-200RK1</i>	2"	Buna	nose seal, spring pin, grooved pin, O-rings, cotter pin, bearing strip, bumper ring	13, 15, 16, 24, 25, 26, 27, 28, 29
<i>BS62-200RK1</i>		Viton®		

swivel seal kits

<i>Kit #</i>	<i>Size Used On</i>	<i>Material</i>	<i>Contains</i>	<i>Included Item #s</i>
<i>BS61-200RK2</i>	2"	Buna	O-rings, bearing strip	24, 28
<i>BS62-200RK2</i>		Viton®		