



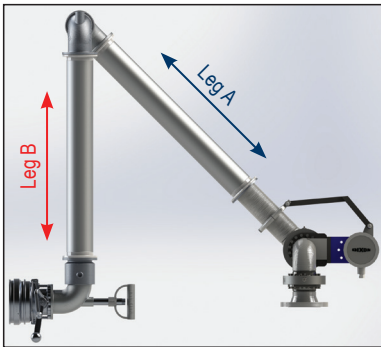
The Right Connection®

Dixon Loading Arm Order Guide

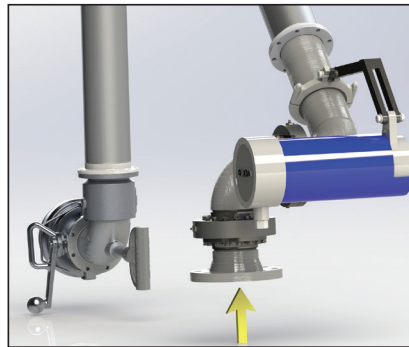
Custom options are available, call Dixon Specialty Products at 888.226.4673 for more information.

Section 1: Configuration(s)

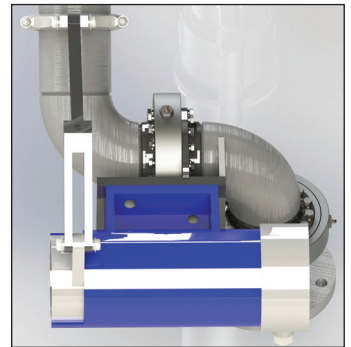
a. A-frame



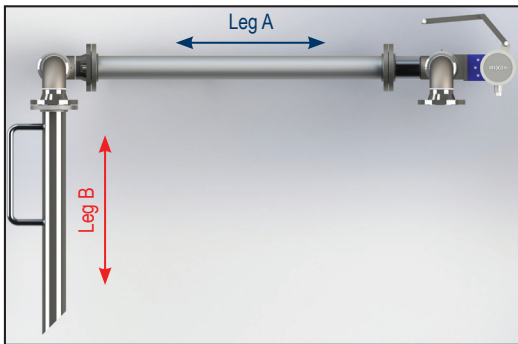
b. Upfeed



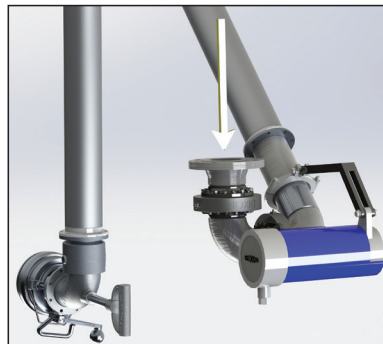
c. Left-hand



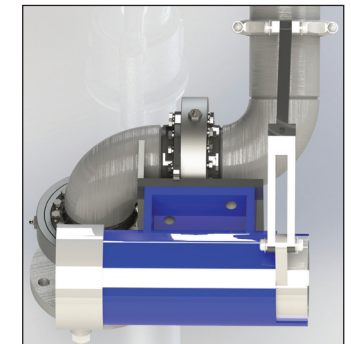
Horizontal (top load)



Downfeed



Right-hand



d. Other style arm: _____

Section 2: Component Measurements and Material

(measure from center of swivel to center of swivel to the whole foot, i.e. 48", 60", etc.)

Leg A Length: _____ **Material:** carbon steel aluminum stainless steel

Leg B Length: _____ **Material:** carbon steel aluminum metal hose stainless steel
 composite hose

Section 3: Application Information

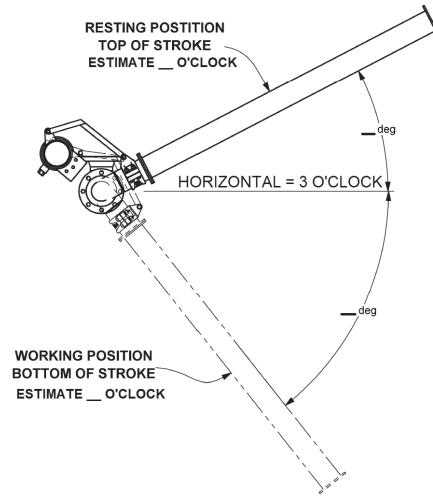
- a. End User: _____ Contact Name: _____ Number: _____ Email: _____
 Distributor: _____ Contact Name: _____ Number: _____ Email: _____
- b. Quantity: _____
- c. Pipe size: 2" 3" 4" Misc. _____ "
- d. Base swivel: Split flange style V-ring style
- e. Riser stand pipe connection: 150 ANSI flange 300 ANSI flange TTMA flange Other: _____
- f. Type of media: Asphalt Fuel Other media _____
- g. Terminal end connections (optional items for each media):
- | | | | |
|---------------------------------------|--------------------------------------|--|--------------------------------------|
| <input type="checkbox"/> 45° pipe cut | <input type="checkbox"/> bucket hook | <input type="checkbox"/> deflector | <input type="checkbox"/> handle |
| <input type="checkbox"/> API coupler | <input type="checkbox"/> breakaway | <input type="checkbox"/> flange extension | <input type="checkbox"/> sight glass |
| <input type="checkbox"/> D handle | <input type="checkbox"/> ball handle | <input type="checkbox"/> locking mechanism | |
- h. Seals (Dixon can recommend based on media): Buna-N Viton™ PTFE FKM A EPDM

Section 4: Site Limitations

- a. Ceiling or roof height from riser pipe connection distance:

- b. Additional items (vapor hoses, drip buckets, hold-down chains etc. and estimated weight (pounds):

- c. Range of motion required (list approximate range of motion desired by clock method or degree method):



Sketches / Notes:

Dixon Specialty Products

225 Talbot Blvd. • Chestertown, MD 21620

ph 888.226.4673 • fx 410.778.1958

dixonvalve.com/loadingarms

connect with us on

