

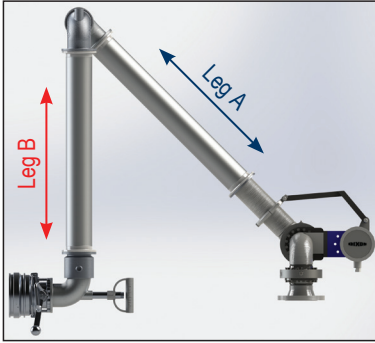
ORDERING GUIDE

Loading Arms

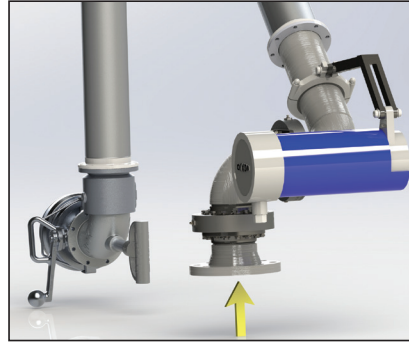


Section 1: Configuration(s)

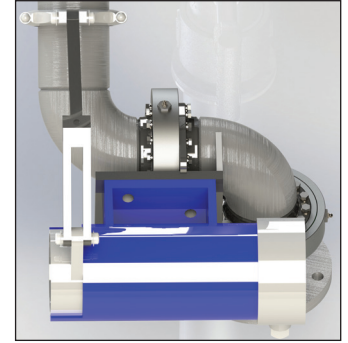
a. A-frame



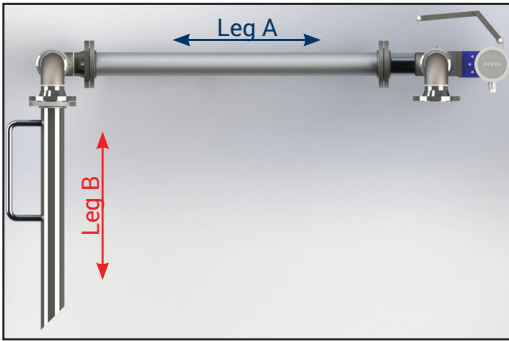
b. Upfeed



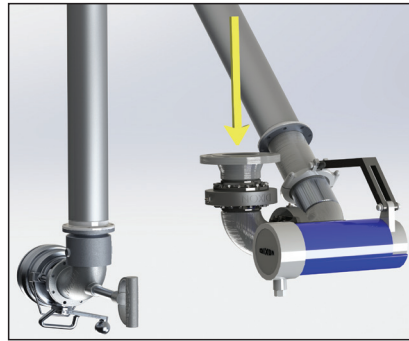
c. Left-hand



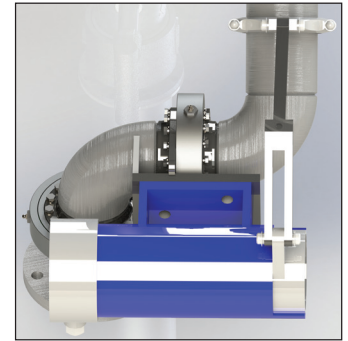
Horizontal (top load)



Downfeed



Right-hand



d. Other style arm: _____

Section 2: Component Measurements and Material

(Measure from center of swivel to center of swivel to the whole foot, i.e. 48", 60", etc.)

Leg A Length: _____ Material: carbon steel aluminum stainless steel

Leg B Length: _____ Material: carbon steel aluminum metal hose stainless steel
 composite hose

Custom options are available. Contact Dixon Specialty Products at 888.226.4673 or load-arms@dixonvalve.com.

