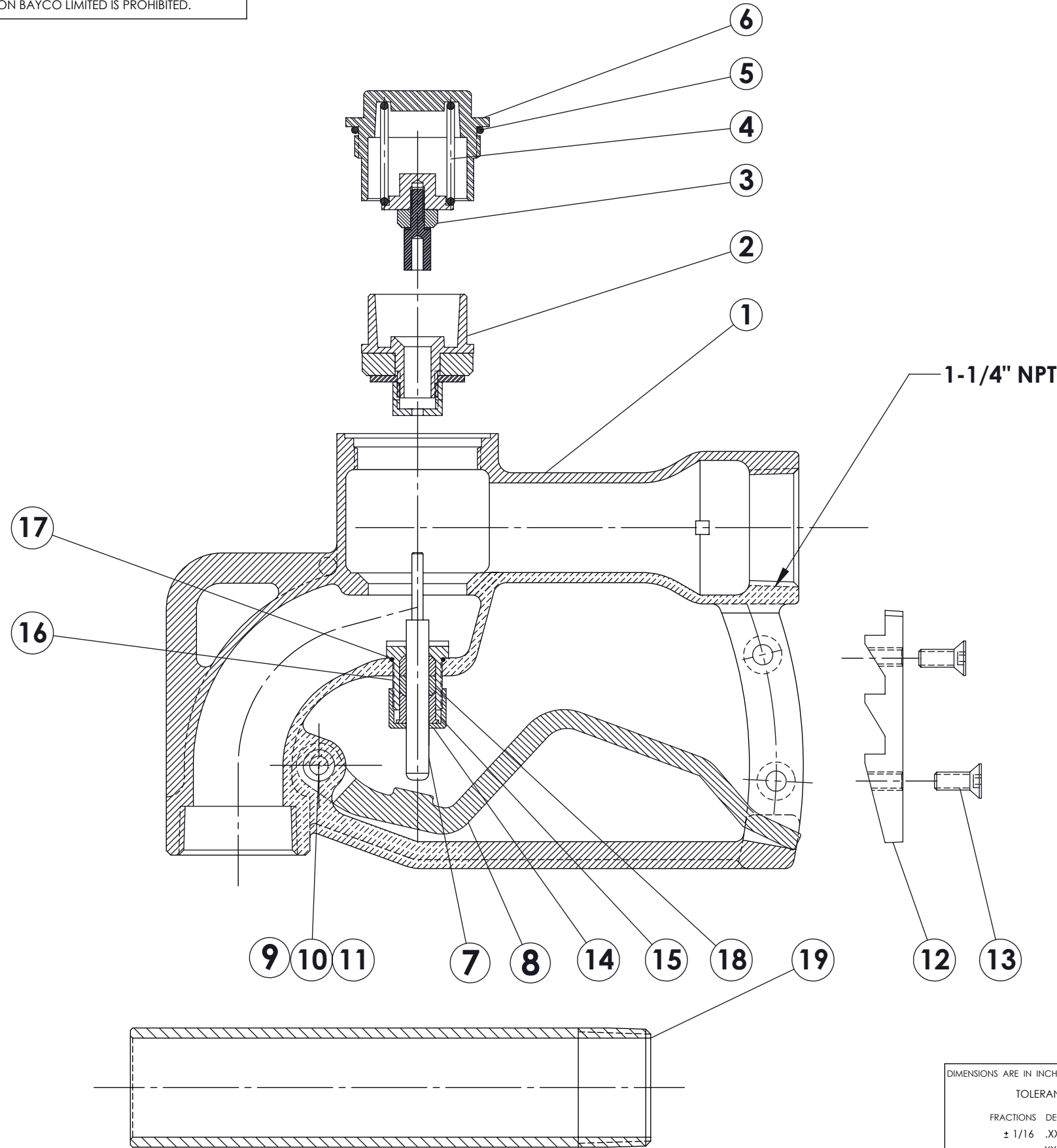


THE INFORMATION CONTAINED IN THIS DRAWING IS THE SOLE PROPERTY OF DIXON BAYCO LIMITED. ANY REPRODUCTION IN PART OR WHOLE WITHOUT THE WRITTEN PERMISSION OF DIXON BAYCO LIMITED IS PROHIBITED.

REVISION TABLE				
REV.	ECO	DESCRIPTION	DATE	APPROVED
**	**	**	**	**



ITEM NO.	DESCRIPTION	QTY.
1	BODY	1
2	MAIN POPPET ASSEMBLY	1
3	SECONDARY POPPET ASSEMBLY	1
4	POPPET SPRING	1
5	CAP O-RING	1
6	CAP	1
7	PLUNGER	1
8	TRIGGER	1
9	BUSHING	1
10	PIN	1
11	COTTER PIN	1
12	TRIGGER RATCHET	1
13	SCREW	2
14	NUT STEM PACKING	1
15	SLEEVE STEM PACKING	1
16	STEM GUIDE	1
17	O-RING	1
18	STEM PACKING RING	2
19	SPOUT	1

DIMENSIONS ARE IN INCHES UNLESS OTHERWISE SPECIFIED
 TOLERANCES ARE:
 FRACTIONS DECIMALS ANGLES
 ± 1/16 .XX ± .03 ± 1°
 .XXX ± .010



CAD GENERATED DRAWING; DO NOT MANUALLY UPDATE. DO NOT SCALE DRAWING	
APPROVALS	DATE
DRAWN BY <i>L.X.</i>	JAN 30 2008
CHECKED <i>F.F.</i>	JAN 30 2008

DIXON BAYCO LIMITED
 2200 LOGAN AVE. WINNIPEG, MB. R2R 0J2
 PHONE (204) 633-5650 FAX (204) 633-6119

TITLE
**PRESSURE NOZZLE
 1.25" WITH SPOUT**

SIZE B	DWG. NO. 114D	REV. 1
CUSTOMER DRAWING		SHEET 1 OF 1

MATERIAL