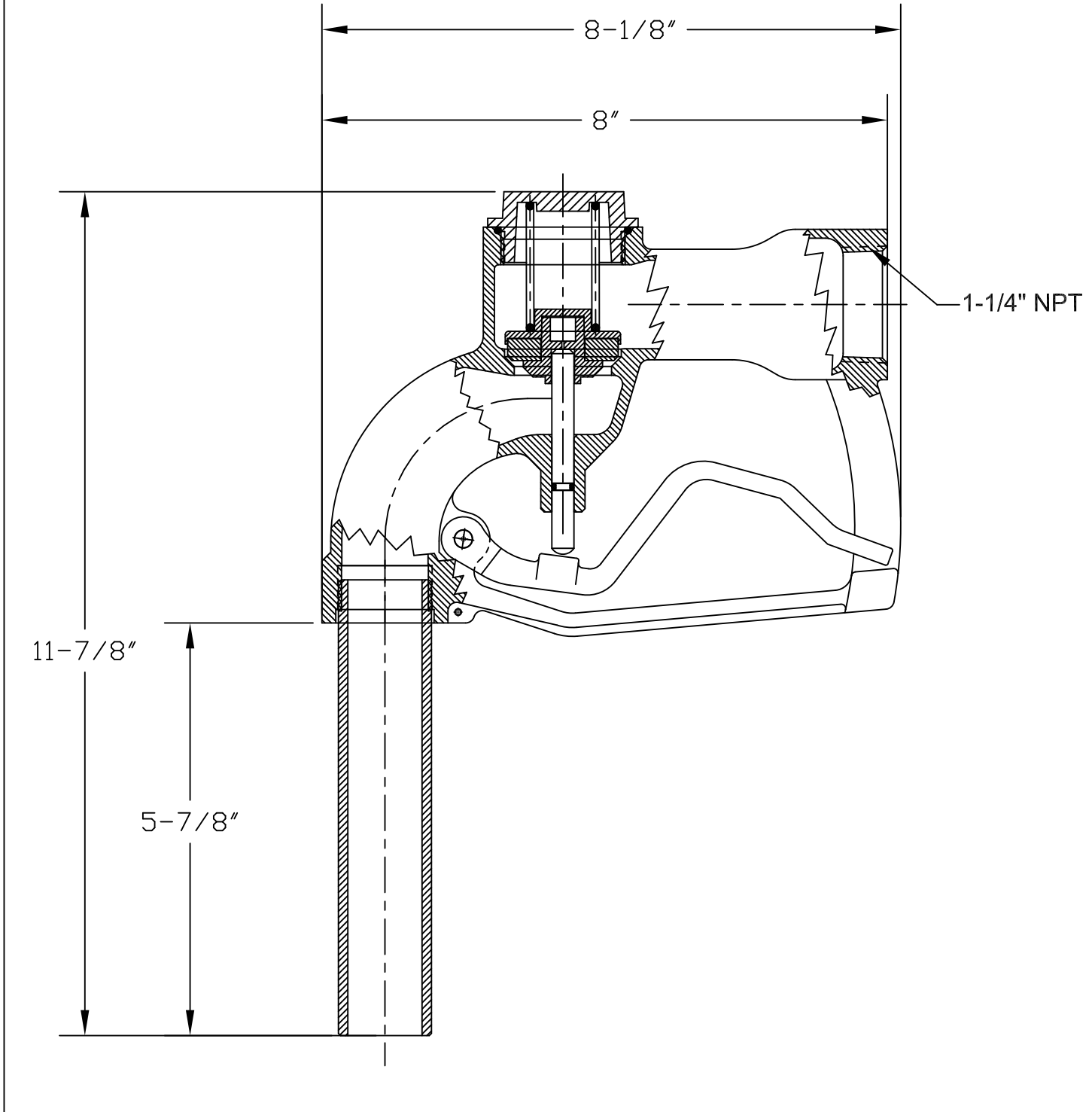


REVISIONS TABLE

REV.	ECO	DESCRIPTION	DATE	APPROVED
X	X	X	X	X



UNLESS OTHERWISE SPECIFIED
DIMENSIONS ARE IN INCHES.
TOLERANCES ARE:

FRACTIONS	DECIMALS	ANGLES
± 1/32	.XX ± .03	± 1°
	.XXX ± .010	

MATERIAL xx

FINISH

DIXON BAYCO LIMITED
2200 LOGAN AVE. WINNIPEG, MB. R2R 0J2
PHONE (204) 633-5650 FAX (204) 633-6119

APPROVALS		DATE
DONE BY	S.S.	Sep 15/05
CHECKED	C.M.	Sep 15/05
DO NOT SCALE DRAWING		

DWG. NO. **1250-94 CUSTOMER**

TITLE **GRAVITY NOZZLE 1.25"**

SIZE A	REV. 0
ECO #	SHEET 1 OF 1