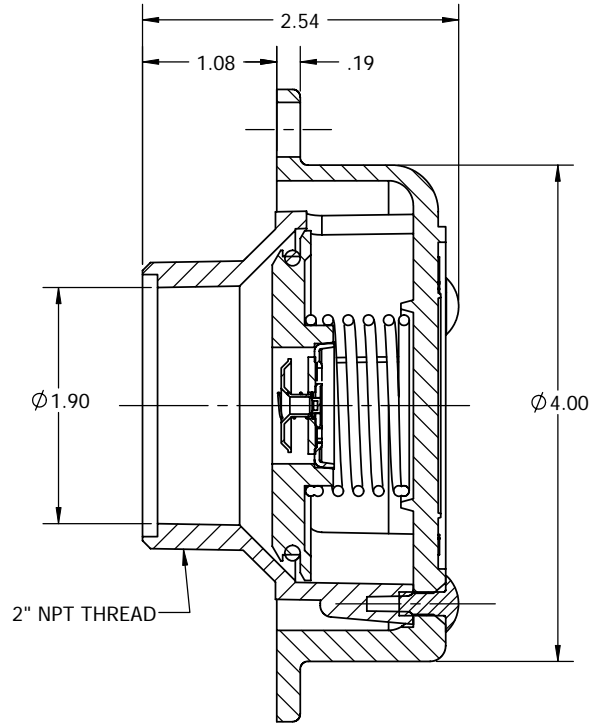
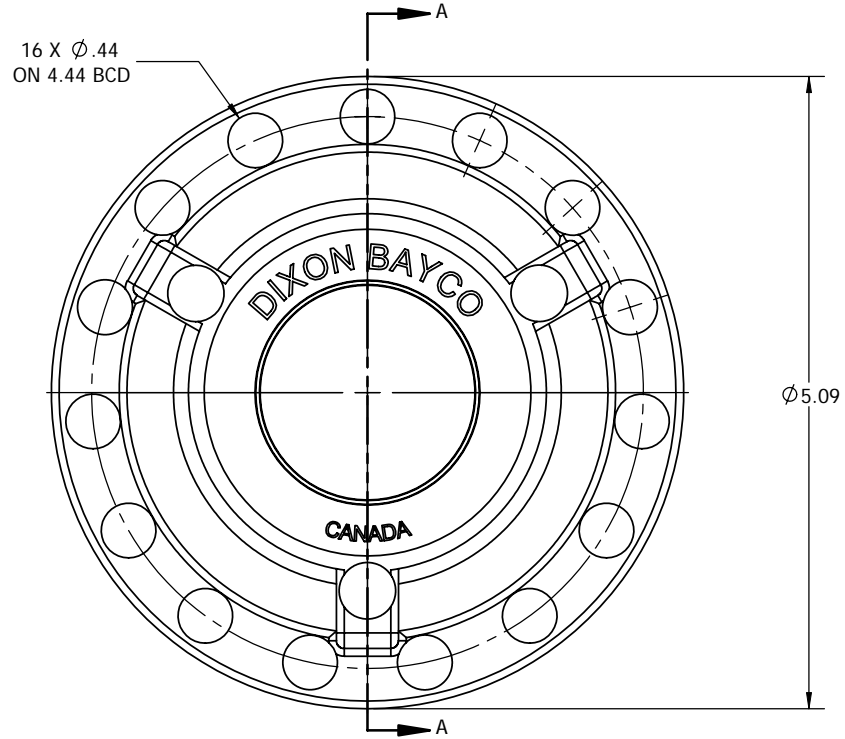


THE INFORMATION CONTAINED IN THIS DRAWING IS THE SOLE PROPERTY OF DIXON BAYCO LIMITED. ANY REPRODUCTION IN PART OR WHOLE WITHOUT THE WRITTEN PERMISSION OF DIXON BAYCO LIMITED IS PROHIBITED.

REVISION TABLE				
REV.	ECO	DESCRIPTION	DATE	APPROVED
**	**	**	**	**



SECTION A-A  
SCALE 1 : 1



DIMENSIONS ARE IN INCHES UNLESS OTHERWISE SPECIFIED  
 TOLERANCES ARE:  
 FRACTIONS DECIMALS ANGLES  
 ± 1/16 XX ± .03 ± 1°  
 XXX ± .010



CAD GENERATED DRAWING. DO NOT MANUALLY UPDATE.  
 DO NOT SCALE DRAWING

MATERIAL

APPROVALS  
 DRAWN BY *F. Fidelino* DATE Jan 16/09

CHECKED

**DIXON BAYCO LIMITED**  
 2200 LOGAN AVE. WINNIPEG, MB. R2R 0J2  
 PHONE (204) 633-5650 FAX (204) 633-6119

TITLE  
**PV CAP 2000L  
 CUSTOMER DRAWING**

SIZE DWG. NO. REV.  
**B 450057 CUSTOMER A**

ECO SHEET 1 OF 1