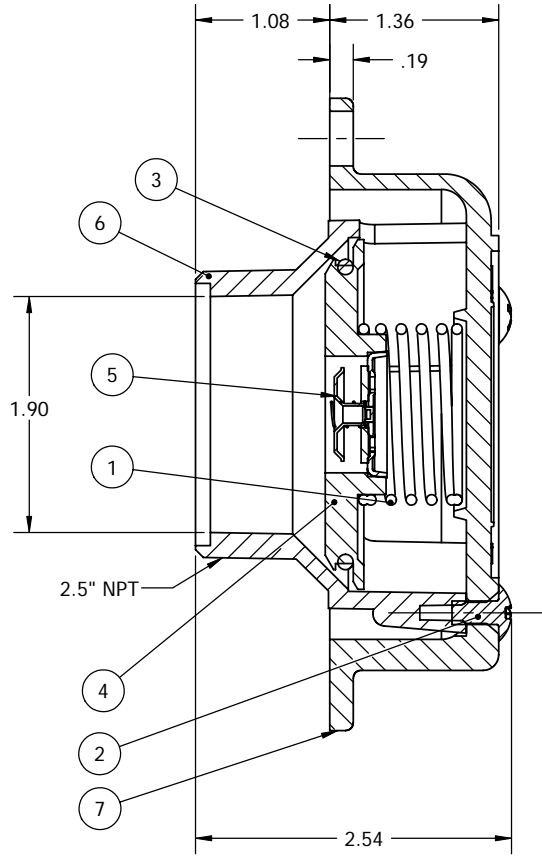


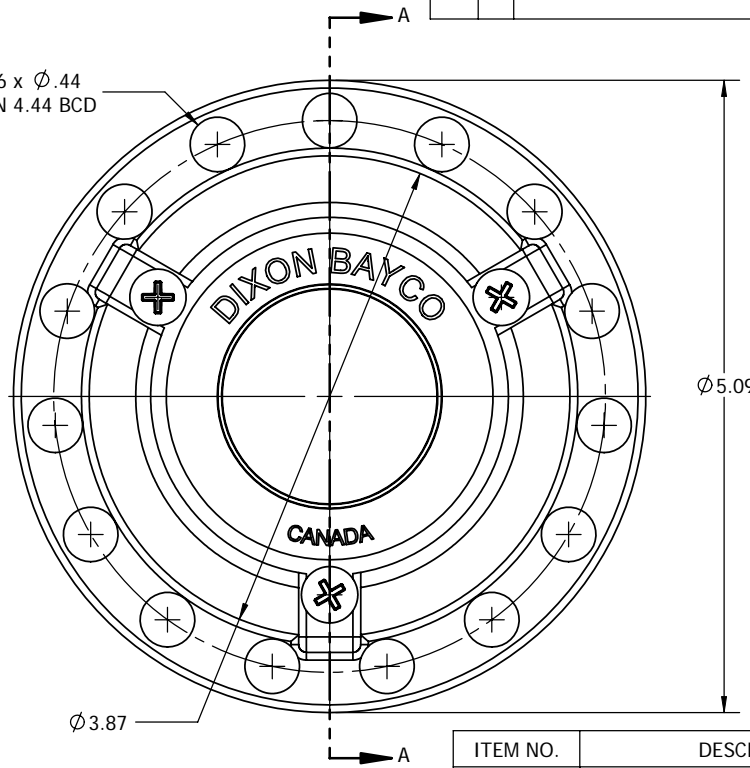
THE INFORMATION CONTAINED IN THIS DRAWING IS THE SOLE PROPERTY OF DIXON BAYCO LIMITED. ANY REPRODUCTION IN PART OR WHOLE WITHOUT THE WRITTEN PERMISSION OF DIXON BAYCO LIMITED IS PROHIBITED.

REVISION TABLE				
REV.	ECO	DESCRIPTION	DATE	APPROVED
**	**	**	**	**



SECTION A-A
SCALE 1 : 1

16 x ϕ .44
ON 4.44 BCD



ITEM NO.	DESCRIPTION	QTY.
1	Spring	1
2	Screw	3
3	O-ring	1
4	Valve Plate	1
5	Valve Intake	1
6	Body-Screen Assembly	1
7	Cover	1

DIMENSIONS ARE IN INCHES UNLESS OTHERWISE SPECIFIED
TOLERANCES ARE:



CAD GENERATED DRAWING. DO NOT MANUALLY UPDATE.
DO NOT SCALE DRAWING

APPROVALS: DRAWN BY **F. FIDELINO** JUL 14/09

DIXON BAYCO LIMITED
2200 LOGAN AVE. WINNIPEG, MB. R2R 0J2
PHONE (204) 633-5650 FAX (204) 633-6119

TITLE: **PV CAP 2500L**

SIZE DWG. NO. **450061** REV. **A**
B CUSTOMER DRAWING
ECO SHEET 1 OF 1