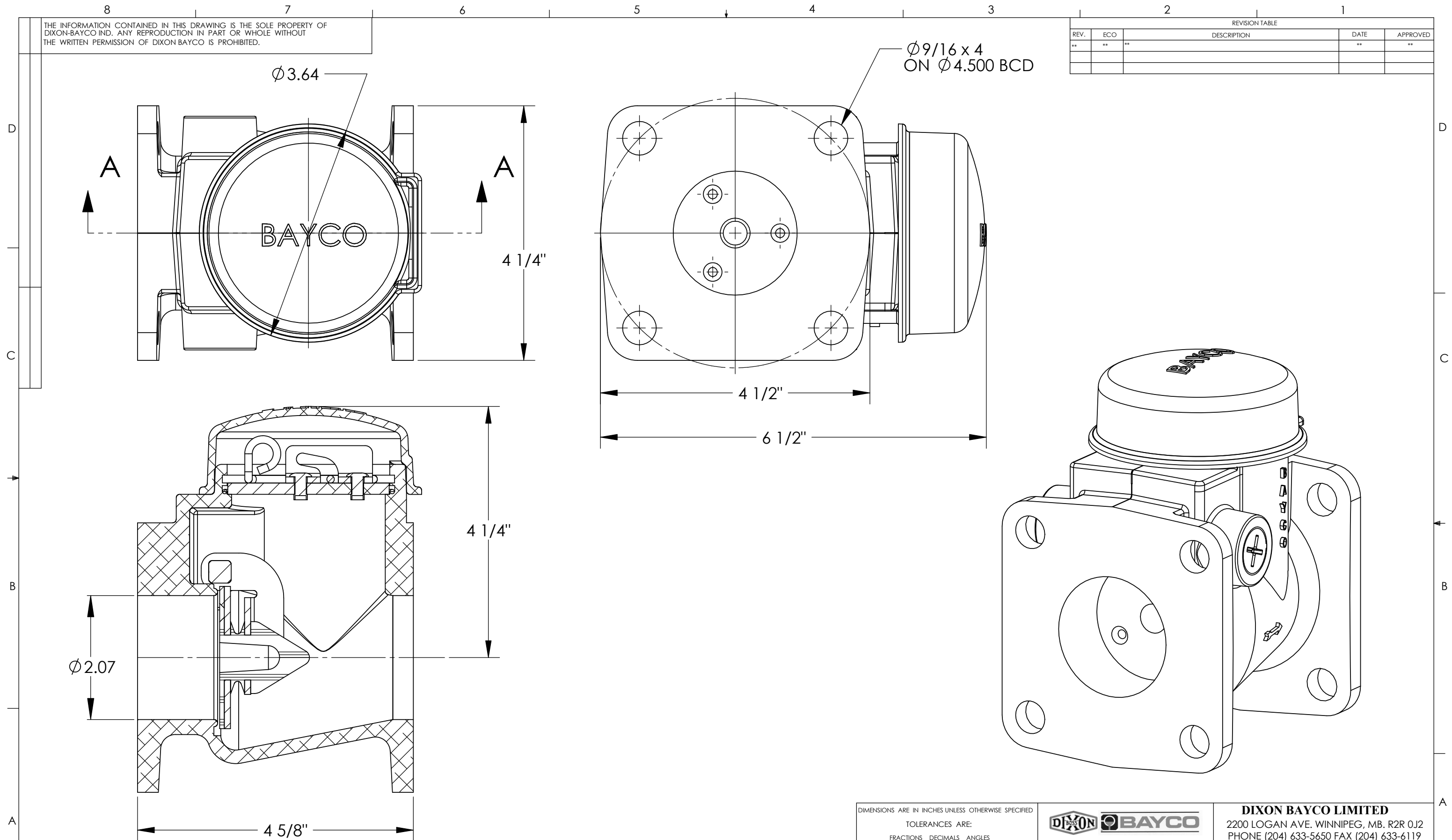


THE INFORMATION CONTAINED IN THIS DRAWING IS THE SOLE PROPERTY OF DIXON-BAYCO IND. ANY REPRODUCTION IN PART OR WHOLE WITHOUT THE WRITTEN PERMISSION OF DIXON BAYCO IS PROHIBITED.

REVISION TABLE				
REV.	ECO	DESCRIPTION	DATE	APPROVED
**	**	**	**	**



SECTION A-A  
SCALE 1 : 1.5

DIMENSIONS ARE IN INCHES UNLESS OTHERWISE SPECIFIED		<b>DIXON BAYCO</b>		<b>DIXON BAYCO LIMITED</b>	
TOLERANCES ARE:		CAD GENERATED DRAWING; DO NOT MANUALLY UPDATE.		2200 LOGAN AVE. WINNIPEG, MB. R2R 0J2	
FRACTIONS DECIMALS ANGLES		DO NOT SCALE DRAWING		PHONE (204) 633-5650 FAX (204) 633-6119	
± 1/16 .XX ± .03 ± 1°		APPROVALS		TITLE	
.XXX ± .010		DATE		3020SQ	
MATERIAL	--	DRAWN BY	S.S.	Customer Drawing	
FINISH	--	CHECKED	C.M.	SIZE DWG. NO.	451716-C
			Feb 21/05	REV.	0
			Feb 21/05	ECO	1
					SHEET 1 OF 1