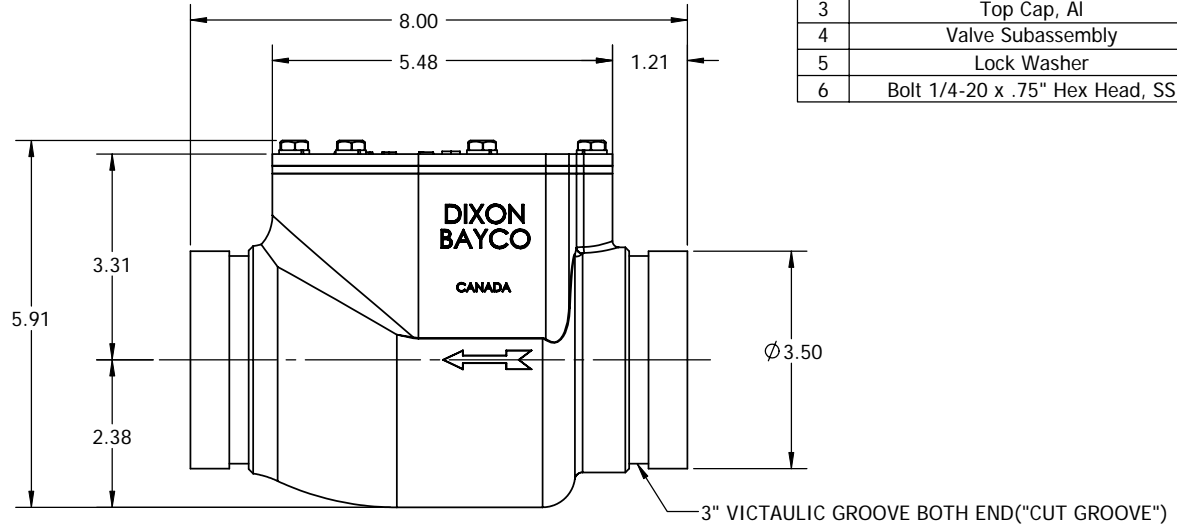
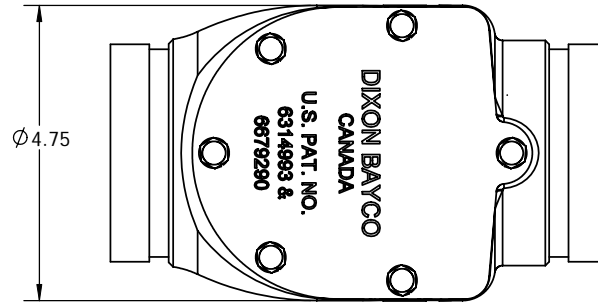
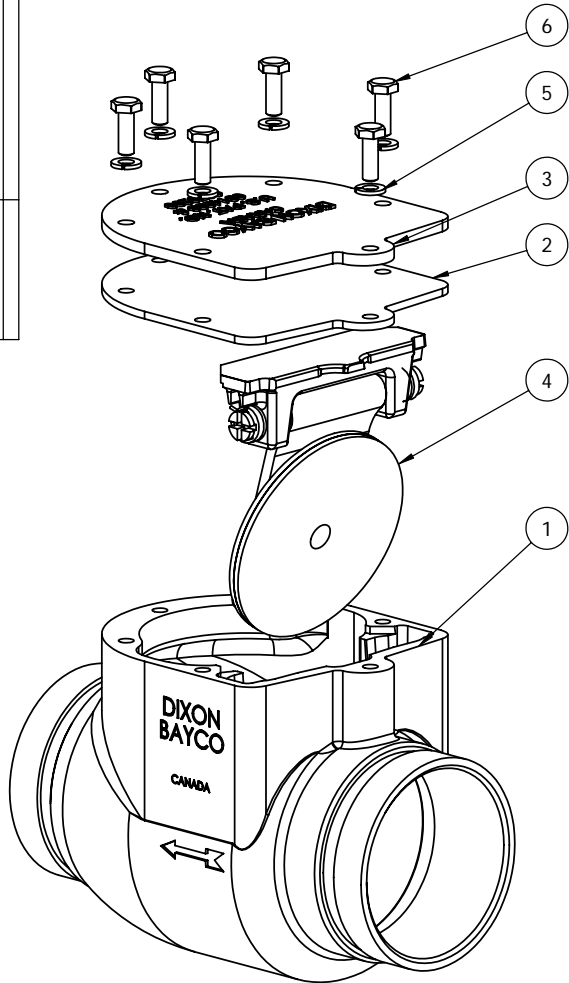


THE INFORMATION CONTAINED IN THIS DRAWING IS THE SOLE PROPERTY OF DIXON BAYCO LIMITED. ANY REPRODUCTION IN PART OR WHOLE WITHOUT THE WRITTEN PERMISSION OF DIXON BAYCO LIMITED IS PROHIBITED.

REVISION TABLE				
REV.	ECO	DESCRIPTION	DATE	APPROVED
**	**	**	**	**



ITEM NO.	DESCRIPTION	QTY.
1	Body, Al	1
2	Gasket, EPDM	1
3	Top Cap, Al	1
4	Valve Subassembly	1
5	Lock Washer	6
6	Bolt 1/4-20 x .75" Hex Head, SS	6

DIMENSIONS ARE IN INCHES UNLESS OTHERWISE SPECIFIED  
TOLERANCES ARE:



CAD GENERATED DRAWING. DO NOT MANUALLY UPDATE.  
DO NOT SCALE DRAWING

MATERIAL

APPROVALS	DATE
DRAWN BY <b>F.FIDELINO</b>	JAN. 7/08
CHECKED <b>C.MARTENS</b>	JAN. 7/08

**DIXON BAYCO LIMITED**  
2200 LOGAN AVE. WINNIPEG, MB. R2R 0J2  
PHONE (204) 633-5650 FAX (204) 633-6119

TITLE  
**3030VIC**  
3" SWING CHECK VALVE  
WITH VICTAULIC ENDS

SIZE	DWG. NO.	REV.
<b>B</b>	3030VIC_CUST	<b>0</b>

ECO SHEET 1 OF 1