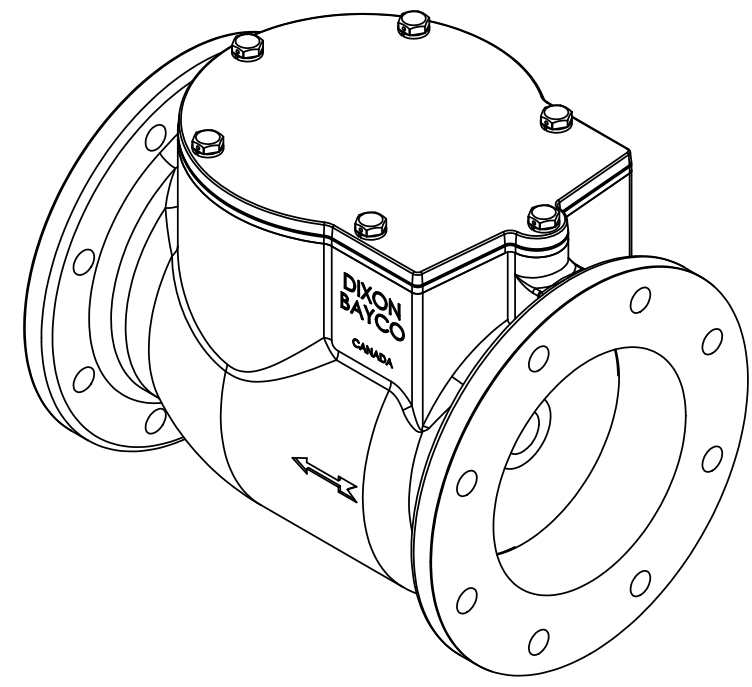
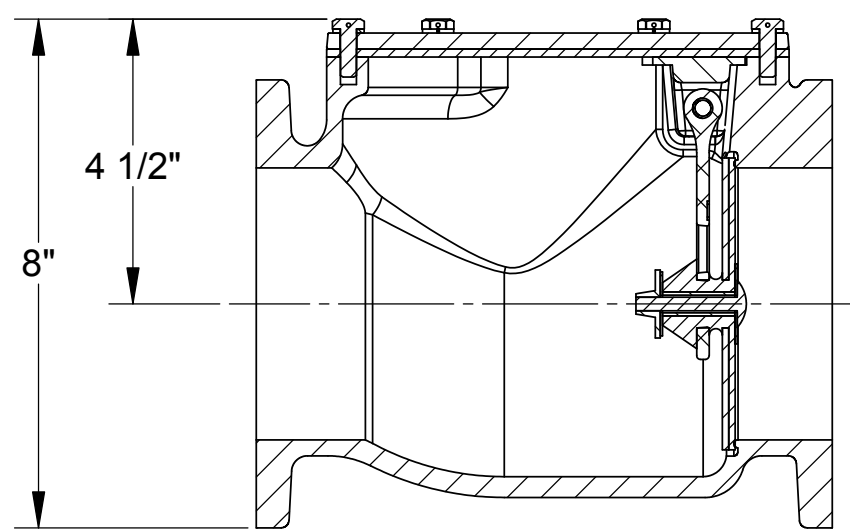
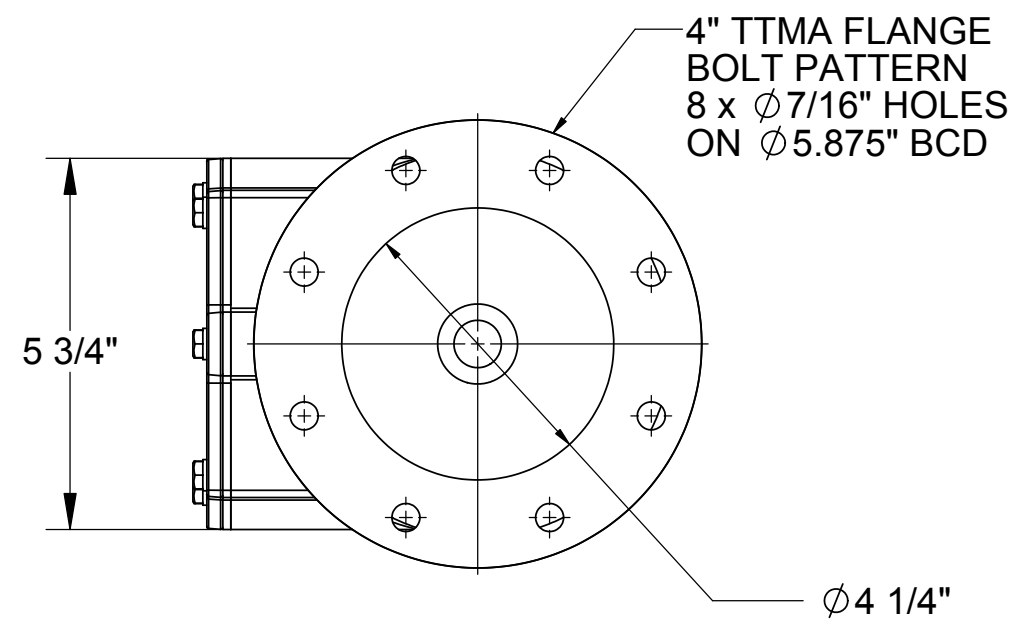
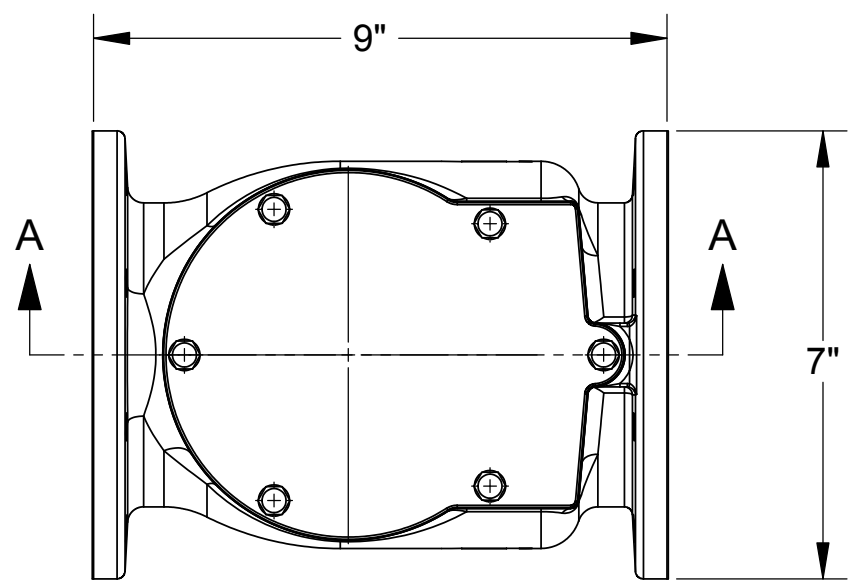


THE INFORMATION CONTAINED IN THIS DRAWING IS THE SOLE PROPERTY OF DIXON-BAYCO IND. ANY REPRODUCTION IN PART OR WHOLE WITHOUT THE WRITTEN PERMISSION OF DIXON BAYCO IS PROHIBITED.

REVISION TABLE				
REV.	ECO	DESCRIPTION	DATE	APPROVED
**	**	**	**	**



SECTION A-A
SCALE 1 : 3

DIMENSIONS ARE IN INCHES UNLESS OTHERWISE SPECIFIED		DIXON BAYCO		DIXON BAYCO LIMITED 2200 LOGAN AVE. WINNIPEG, MB. R2R 0J2 PHONE (204) 633-5650 FAX (204) 633-6119	
CAD GENERATED DRAWING; DO NOT MANUALLY UPDATE. DO NOT SCALE DRAWING		APPROVALS		DATE	
MATERIAL	--	DRAWN BY	S.S.	Feb 22/05	
FINISH	--	CHECKED	C.M.	Feb 22/05	
		SIZE	B	DWG. NO.	451073-C
		ECO		REV.	0
					SHEET 1 OF 1