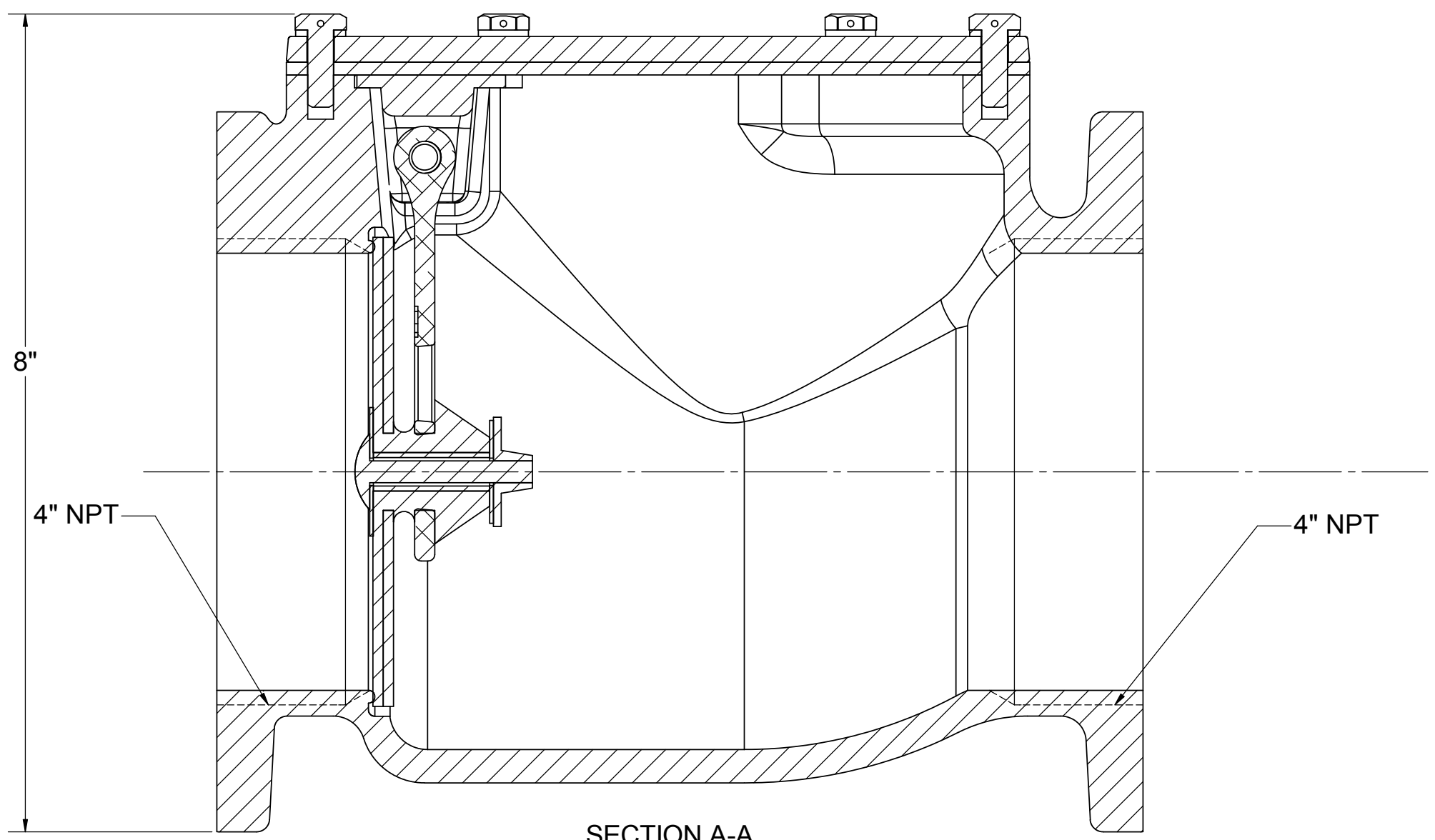
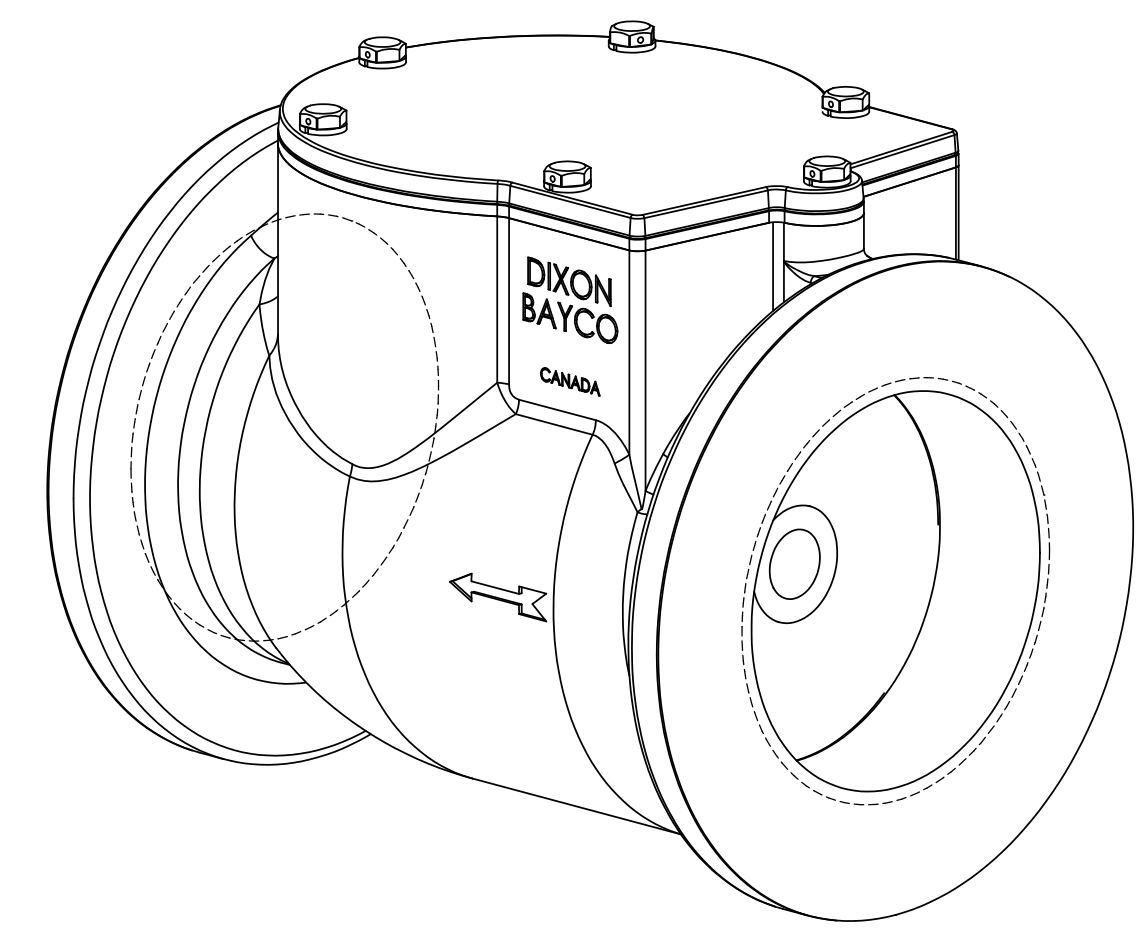
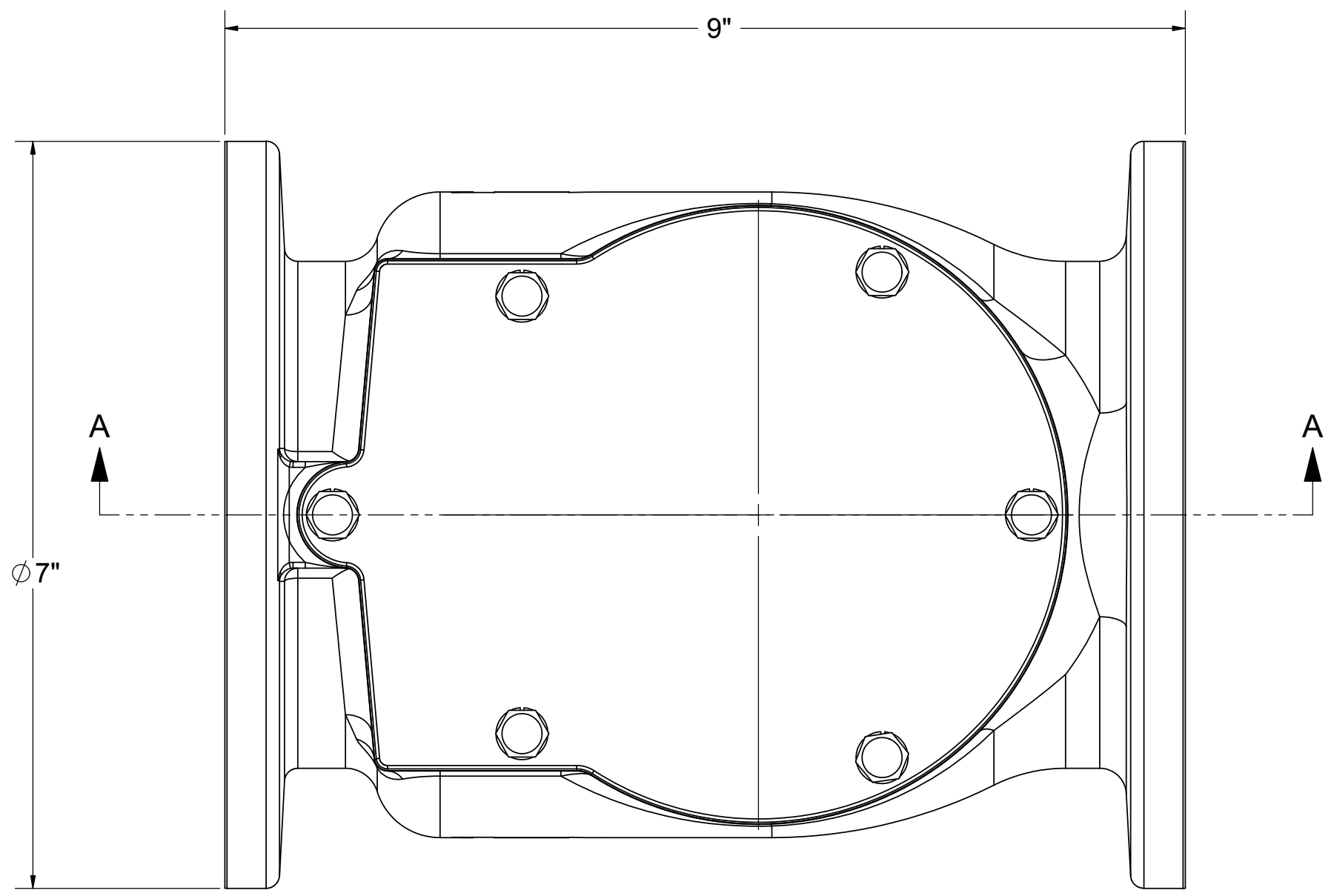
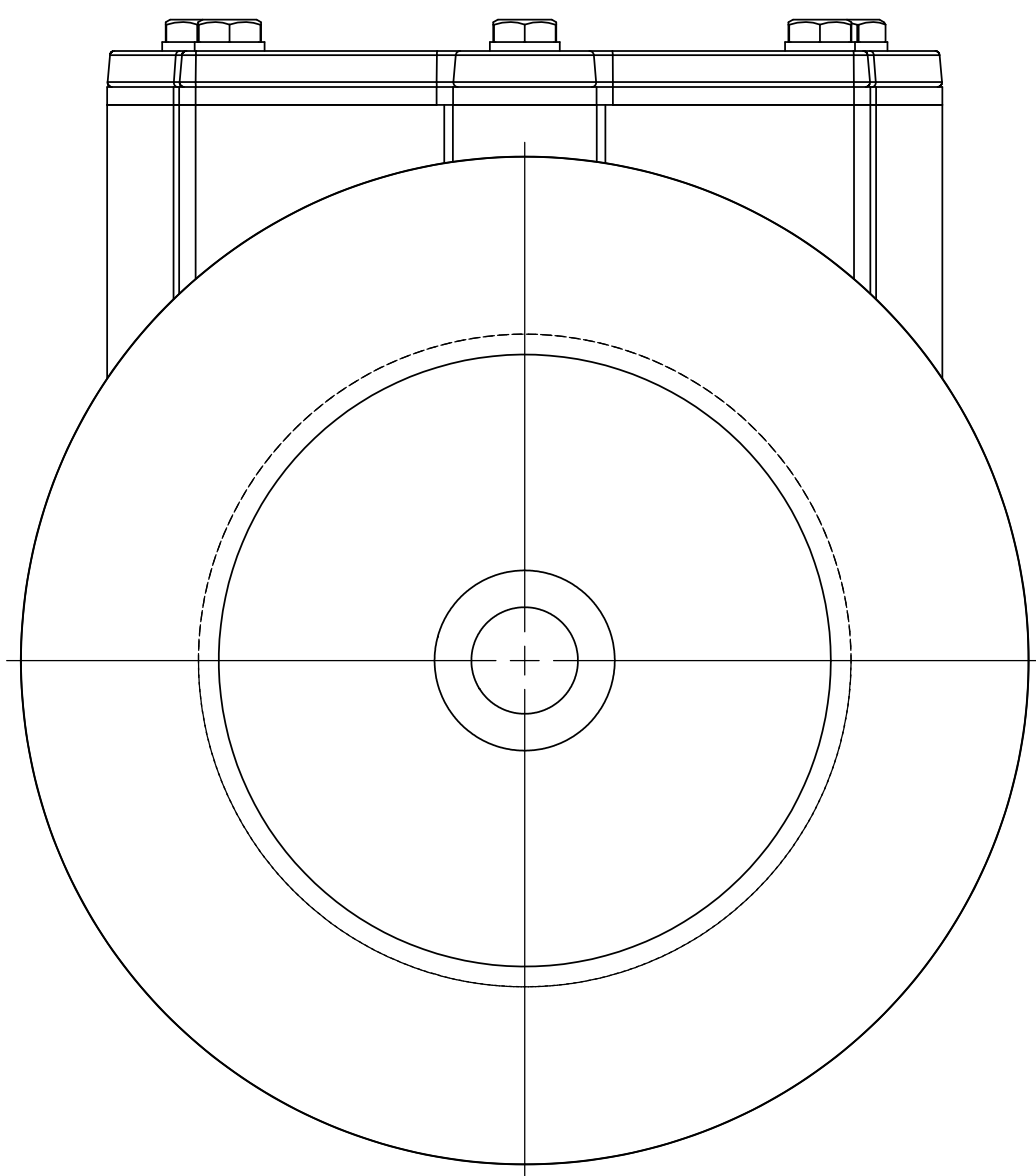


THE INFORMATION CONTAINED IN THIS DRAWING IS THE SOLE PROPERTY OF DIXON-BAYCO INC. AND ANY REPRODUCTION IN PART OR WHOLE WITHOUT THE WRITTEN PERMISSION OF DIXON BAYCO LIMITED IS PROHIBITED.

REVISION TABLE				
REV.	DESCRIPTION	ECO	DATE	APPROVED



SECTION A-A  
SCALE 3 : 4



DIMENSIONS ARE IN INCHES UNLESS OTHERWISE SPECIFIED  
 TOLERANCES ARE:  
 FRACTIONS DECIMALS ANGLES  
 ± 1/16 .005 ± 1°  
 .XXX ± .010



**DIXON BAYCO LIMITED**  
 2200 LOGAN AVE. WINNIPEG, MB. R2R 0J2  
 PHONE (204) 633-5650 FAX (204) 633-6119

CASTING NO:	---	
MATERIAL	---	
FINISH	---	

CAD GENERATED DRAWING: DO NOT MANUALLY UPDATE		
DO NOT SCALE DRAWING		
APPROVALS	DATE	
DONE BY: <b>C.M.</b>	2/18/04	
CHECKED BY: <b>J.E.</b>	2/18/04	

TITLE		
<b>4040TE</b>		
<b>SWING CHECK 4", THREADED</b>		
<b>CUSTOMER DRAWING</b>		
SIZE	DWG. NO.	REV.
<b>C</b>	<b>451072-C</b>	<b>0</b>
ECO	SHEET 1 OF 1	