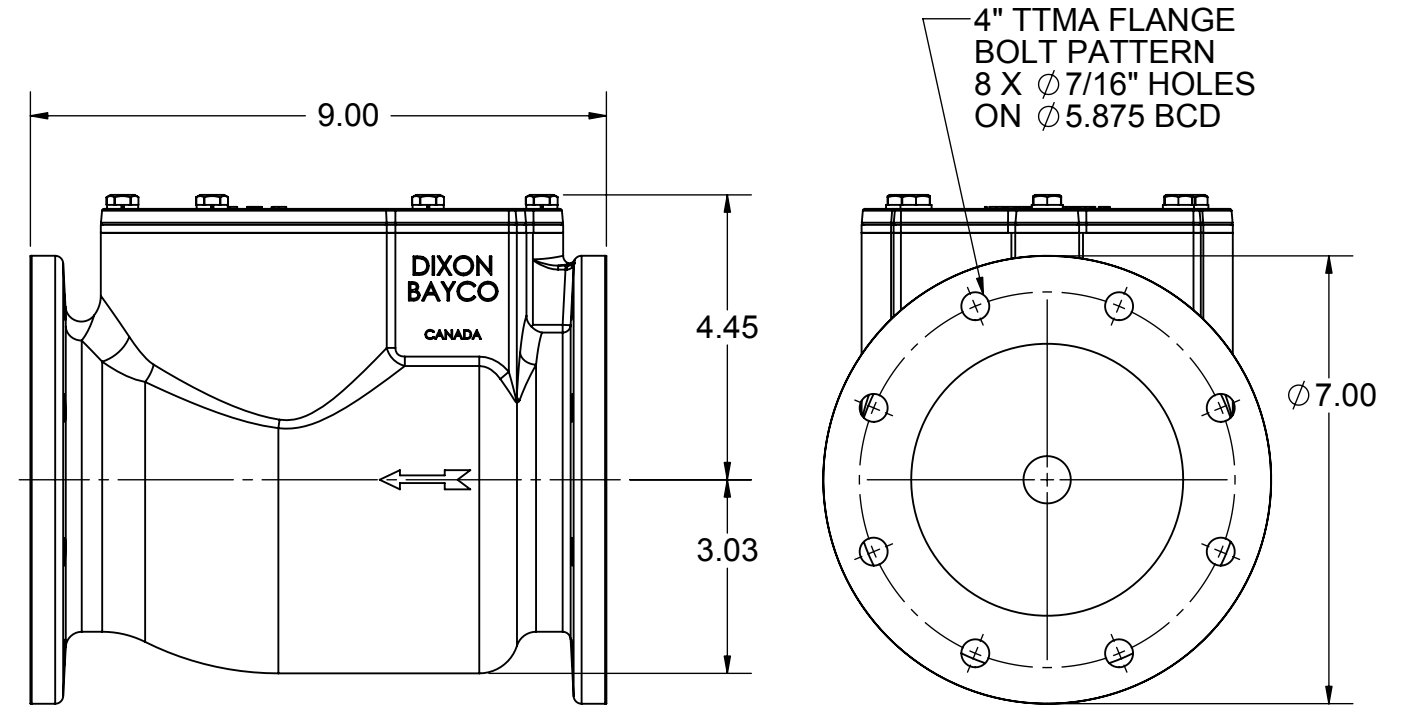
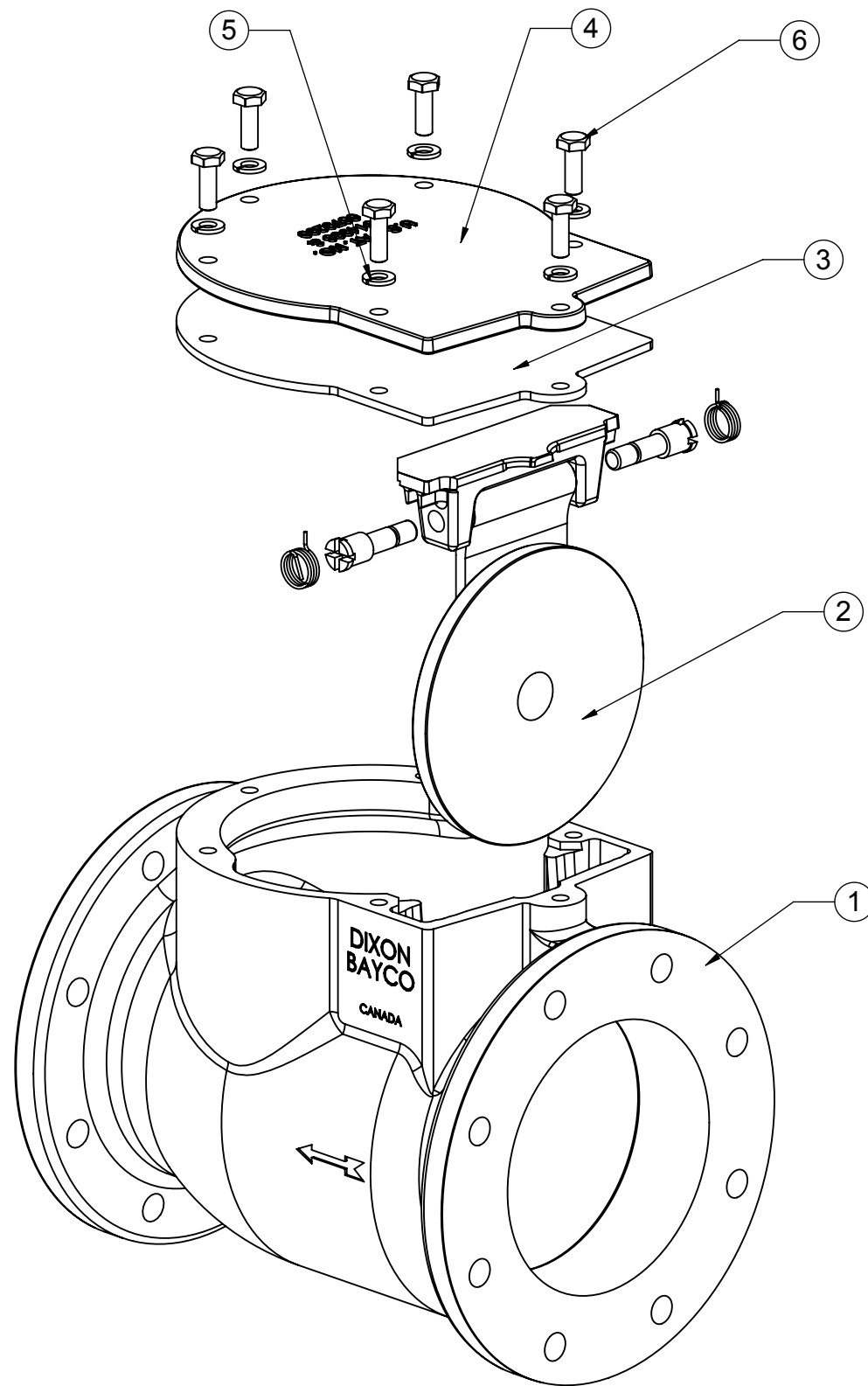


THE INFORMATION CONTAINED IN THIS DRAWING IS THE SOLE PROPERTY OF DIXON-BAYCO IND. ANY REPRODUCTION IN PART OR WHOLE WITHOUT THE WRITTEN PERMISSION OF DIXON BAYCO LIMITED IS PROHIBITED.

REVISION TABLE				
REV.	ECO	DESCRIPTION	DATE	APPROVED
*	***	****	***	***



ITEM NO.	DESCRIPTION	QTY.
1	Body	1
2	Flapper Assembly with Metal Seal	1
3	Gasket	1
4	Top Cap	1
5	Lock Washer	6
6	Bolt 1/4-20 x .75" Hex Head, SS	6

DIMENSIONS ARE IN INCHES UNLESS OTHERWISE SPECIFIED TOLERANCES ARE:			DIXON BAYCO LIMITED 2200 LOGAN AVE. WINNIPEG, MB. R2R 0J2 PHONE (204) 633-5650 FAX (204) 633-6119	
	CASTING NO: ---	CAD GENERATED DRAWING; DO NOT MANUALLY UPDATE.		TITLE 4" SWING CHECK VALVE WITH ROUND FLANGE & METAL FLAPPER
	MATERIAL ---	DO NOT SCALE DRAWING	APPROVALS	DATE
	FINISH ---	DRAWN BY: <i>CM</i>	CHECKED BY: <i>***</i>	DATE: 9/21/06
		SIZE: B	DWG. NO.: 4041RD_CUSTOMER	REV.: A
SHEET 1 OF 1				