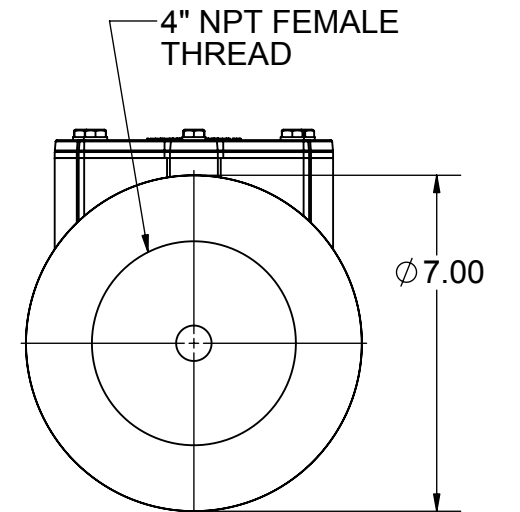
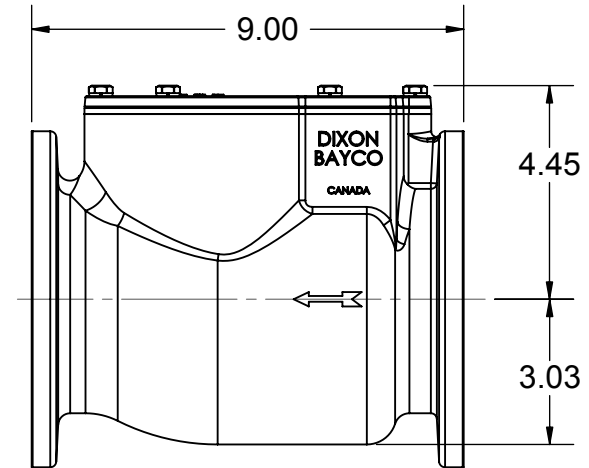
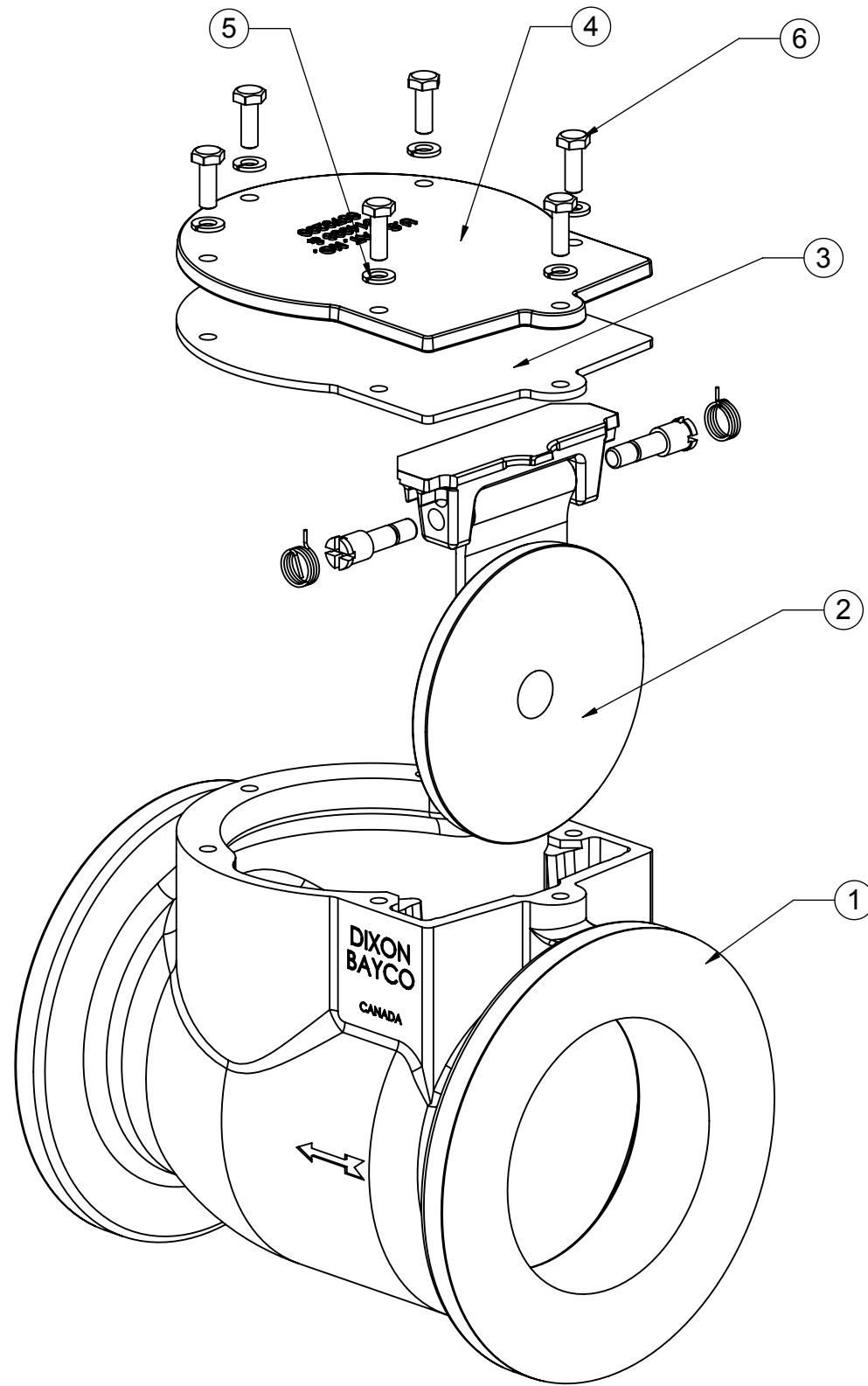


THE INFORMATION CONTAINED IN THIS DRAWING IS THE SOLE PROPERTY OF DIXON-BAYCO IND. ANY REPRODUCTION IN PART OR WHOLE WITHOUT THE WRITTEN PERMISSION OF DIXON BAYCO LIMITED IS PROHIBITED.

REVISION TABLE				
REV.	ECO	DESCRIPTION	DATE	APPROVED
***	***	***	***	***



ITEM NO.	DESCRIPTION	QTY.
1	Threaded Body, Al	1
2	Flapper Assembly with Metal Seal	1
3	Gasket	1
4	Top Cap	1
5	Lock Washer	6
6	Bolt 1/4-20 x .75" Hex Head, SS	6

DIMENSIONS ARE IN INCHES UNLESS OTHERWISE SPECIFIED
TOLERANCES ARE:

CASTING NO: --

MATERIAL: --

FINISH: --



CAD GENERATED DRAWING; DO NOT MANUALLY UPDATE.
DO NOT SCALE DRAWING

APPROVALS

DATE

DRAWN BY: CM

9/21/06

CHECKED BY: ***

DIXON BAYCO LIMITED

2200 LOGAN AVE. WINNIPEG, MB. R2R 0J2
PHONE (204) 633-5650 FAX (204) 633-6119

TITLE
**SWING CHECK VALVE 4"
METAL-TO-METAL SEAL**

SIZE DWG. NO.

B 4041TE_CUSTOMER

ECO XXX

REV.

A

SHEET 1 OF 1