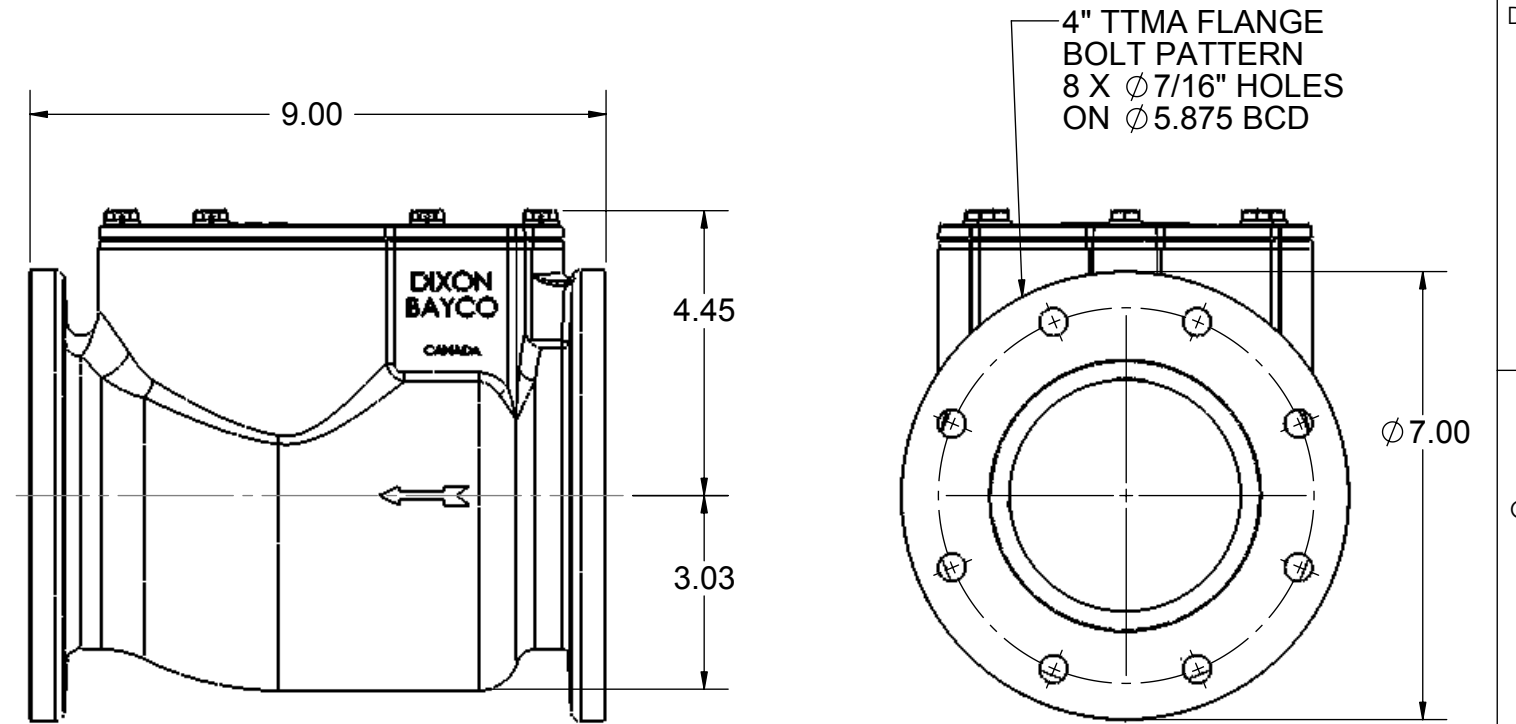
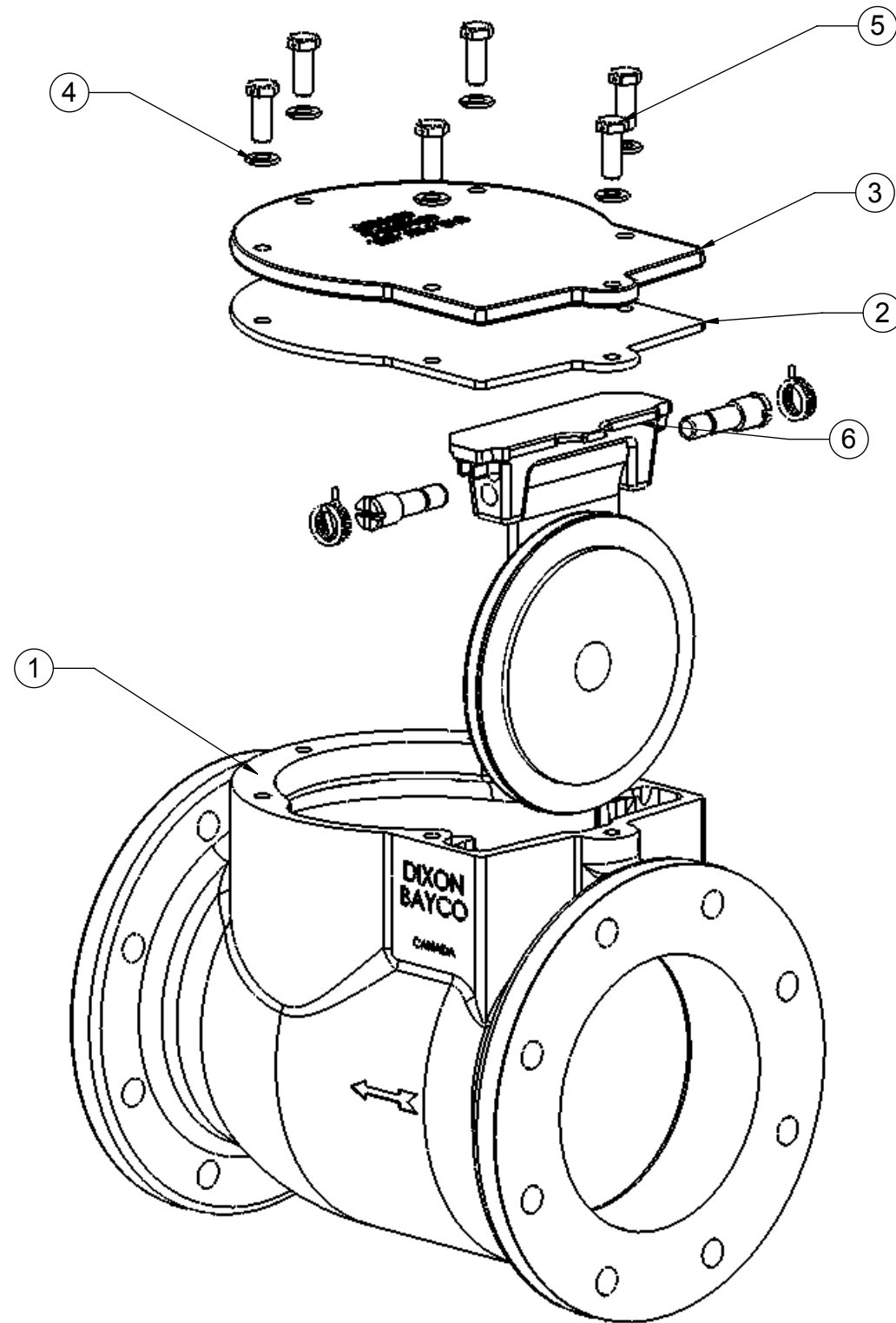


THE INFORMATION CONTAINED IN THIS DRAWING IS THE SOLE PROPERTY OF DIXON-BAYCO IND. ANY REPRODUCTION IN PART OR WHOLE WITHOUT THE WRITTEN PERMISSION OF DIXON BAYCO LIMITED IS PROHIBITED.

REVISION TABLE				
REV.	ECO	DESCRIPTION	DATE	APPROVED
***	***	***	***	***



ITEM NO.	DESCRIPTION	Default/QTY.
1	Body	1
2	Gasket	1
3	Top Cap	1
4	Lock Washer	6
5	Bolt	6
6	Flapper Assembly with Silicone Seal	1

DIMENSIONS ARE IN INCHES UNLESS OTHERWISE SPECIFIED
TOLERANCES ARE:



DIXON BAYCO LIMITED
2200 LOGAN AVE. WINNIPEG, MB. R2R 0J2
PHONE (204) 633-5650 FAX (204) 633-6119

CASTING NO: --

CAD GENERATED DRAWING; DO NOT MANUALLY UPDATE.

TITLE
**Swing Check Valve 4"
Silicone-to-Metal Seal**

MATERIAL: --

DO NOT SCALE DRAWING

SIZE DWG. NO. REV.
B 4042RD_CUSTOMER A

APPROVALS

DATE

DRAWN BY: CM

9/21/06

FINISH: --

CHECKED BY: ***

ECO SHEET 1 OF 1