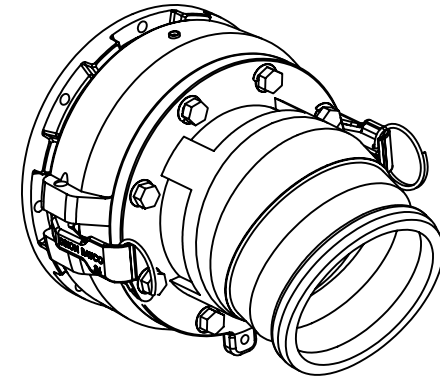
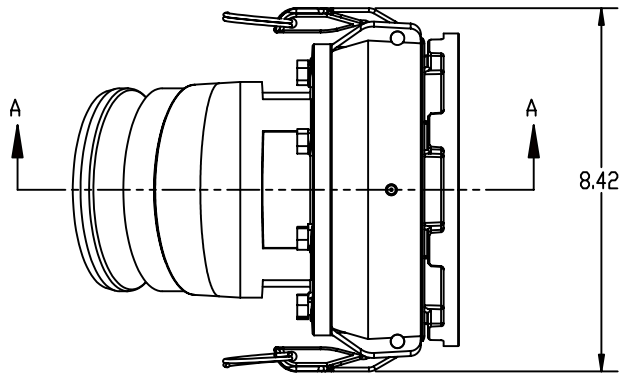


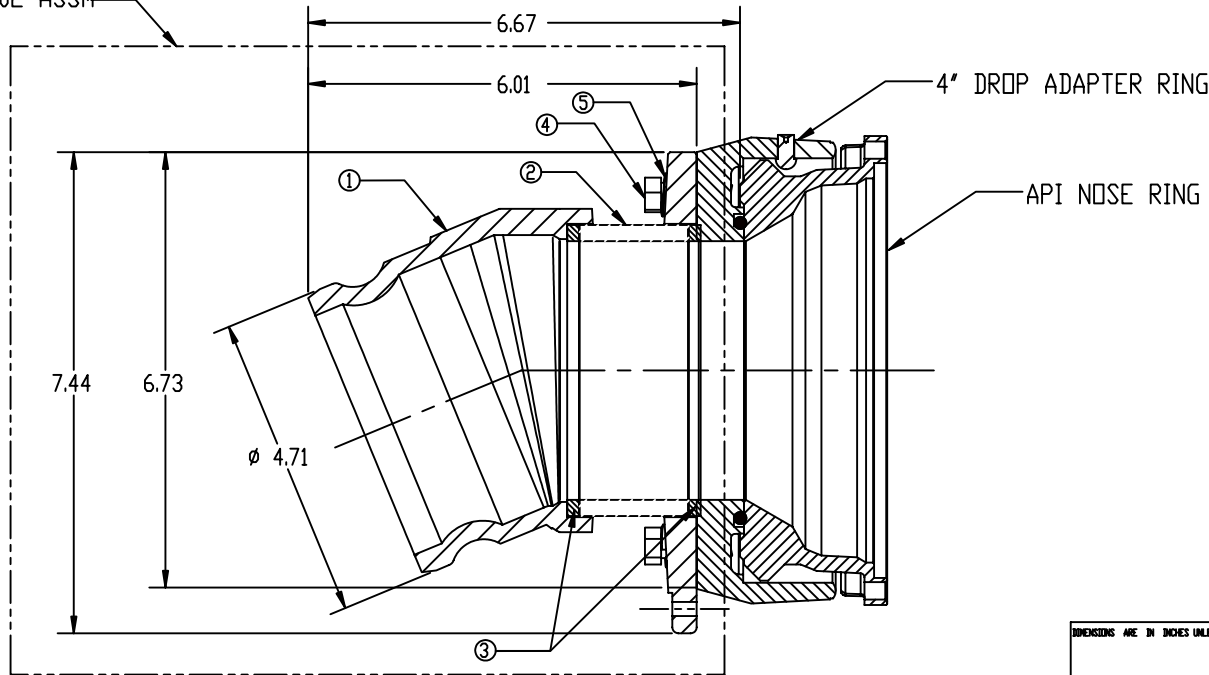
THE INFORMATION CONTAINED IN THIS DRAWING IS THE SOLE PROPERTY OF DIXON BAYCO LIMITED. ANY REPRODUCTION IN PART OR WHOLE WITHOUT THE WRITTEN PERMISSION OF DIXON BAYCO LIMITED IS PROHIBITED.

REVISION TABLE

REV.	ECD	DESCRIPTION	DATE	APPROVED
**	**	**	**	**



4502 ASSM



SECTION A-A
SCALE 1 : 2

4502-ASSM BOM

ITEM	DESCRIPTION	QTY
1	BODY	1
2	S/GLASS	1
3	GASKET	2
4	BOLTS	8
5	L/WASHER	8

DIMENSIONS ARE IN INCHES UNLESS OTHERWISE SPECIFIED



DIXON BAYCO LIMITED
2200 LOGAN AVE. WINNIPEG, MB, R2R 0J2
PHONE (204) 633-5650 FAX (204) 633-6119

CAD GENERATED DRAWING; DO NOT MANUALLY UPDATE.
DO NOT SCALE DRAWING

APPROVALS	DATE
DRAWN BY F.FIDELINO	NOV. 2/06
CHECKED C.MARTENS	NOV. 2/06

TITLE
4" x 22° DROP ADAPTER
WITH API NOSE RING & DROP ADAPTER RING

MATERIAL

SIZE	ING. NO.	REV.
B	4502-ASSM	0
ECD		