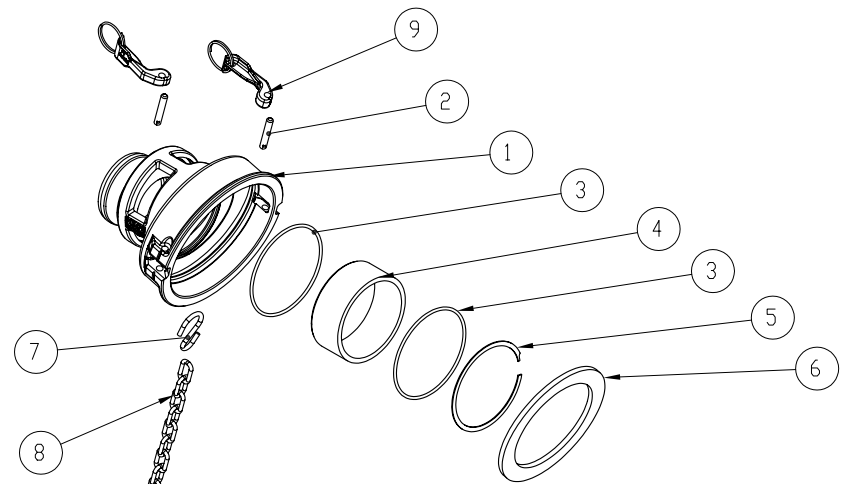
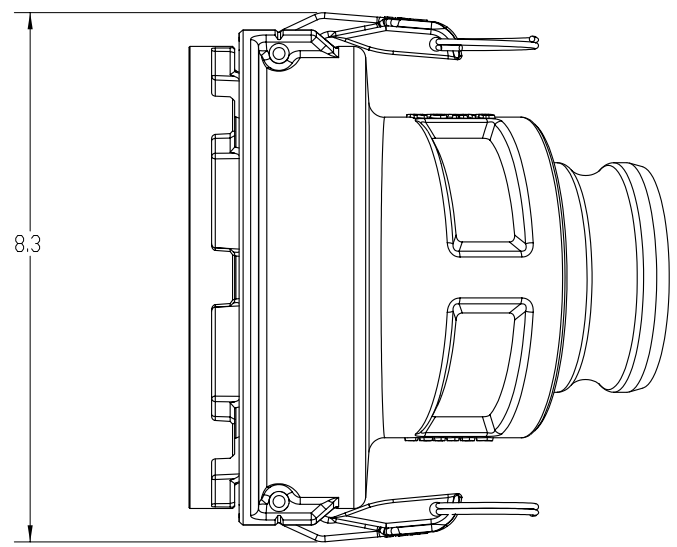
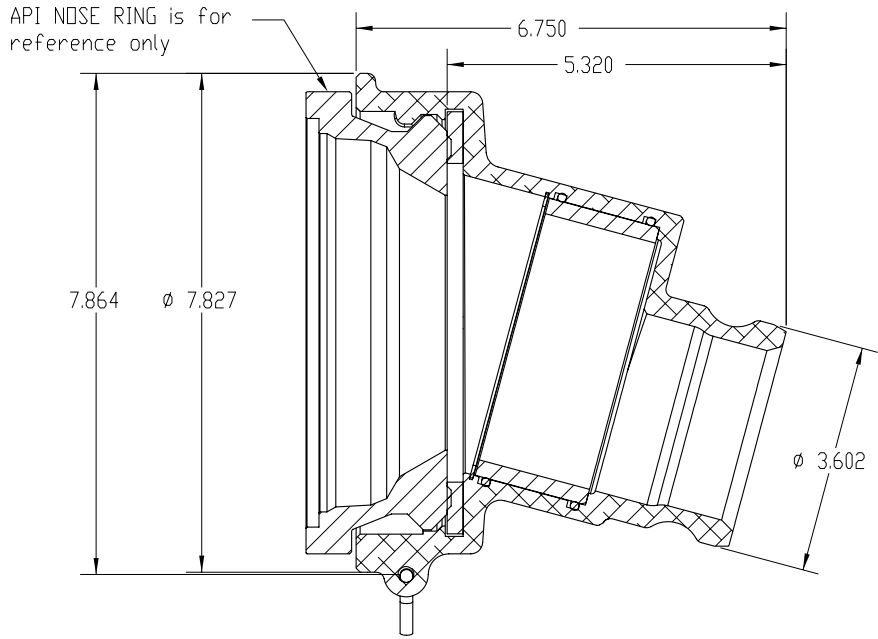


THE INFORMATION CONTAINED IN THIS DRAWING IS THE SOLE PROPERTY OF DIXON BAYCO LIMITED. ANY REPRODUCTION IN PART OR WHOLE WITHOUT THE WRITTEN PERMISSION OF DIXON BAYCO LIMITED IS PROHIBITED.

REVISION TABLE				
REV.	ECO	DESCRIPTION	DATE	APPROVED
x	xx	xx	xx	xx



ITEM NO.	DESCRIPTION	Default/QTY.
1	BODY	1
2	SST PIN	2
3	BAYLAST RING	2
4	ACRYLIC TUBE	1
5	RETAINING RING	1
6	BUNA GASKET	1
7	S-HOOK	1
8	CHAIN 18"	1
9	Cam Arm #34 with Ring	2



CAD GENERATED DRAWING; DO NOT MANUALLY UPDATE.
DO NOT SCALE DRAWING.

APPROVALS DATE

DRAWN BY F. Fidelino Aug 15/08

CHECKED H. Roche Aug 15/08

DIXON BAYCO LIMITED
2200 LOGAN AVE. WINNIPEG, MB, R2R 0J2
PHONE (204) 633-5650 FAX (204) 633-6119

TITLE
4530SG
3" DROP ADAPTER W/SG

SIZE DWG. NO. 800015 CUSTOMER DRAWING

REV. 0

SHEET 1 OF 1