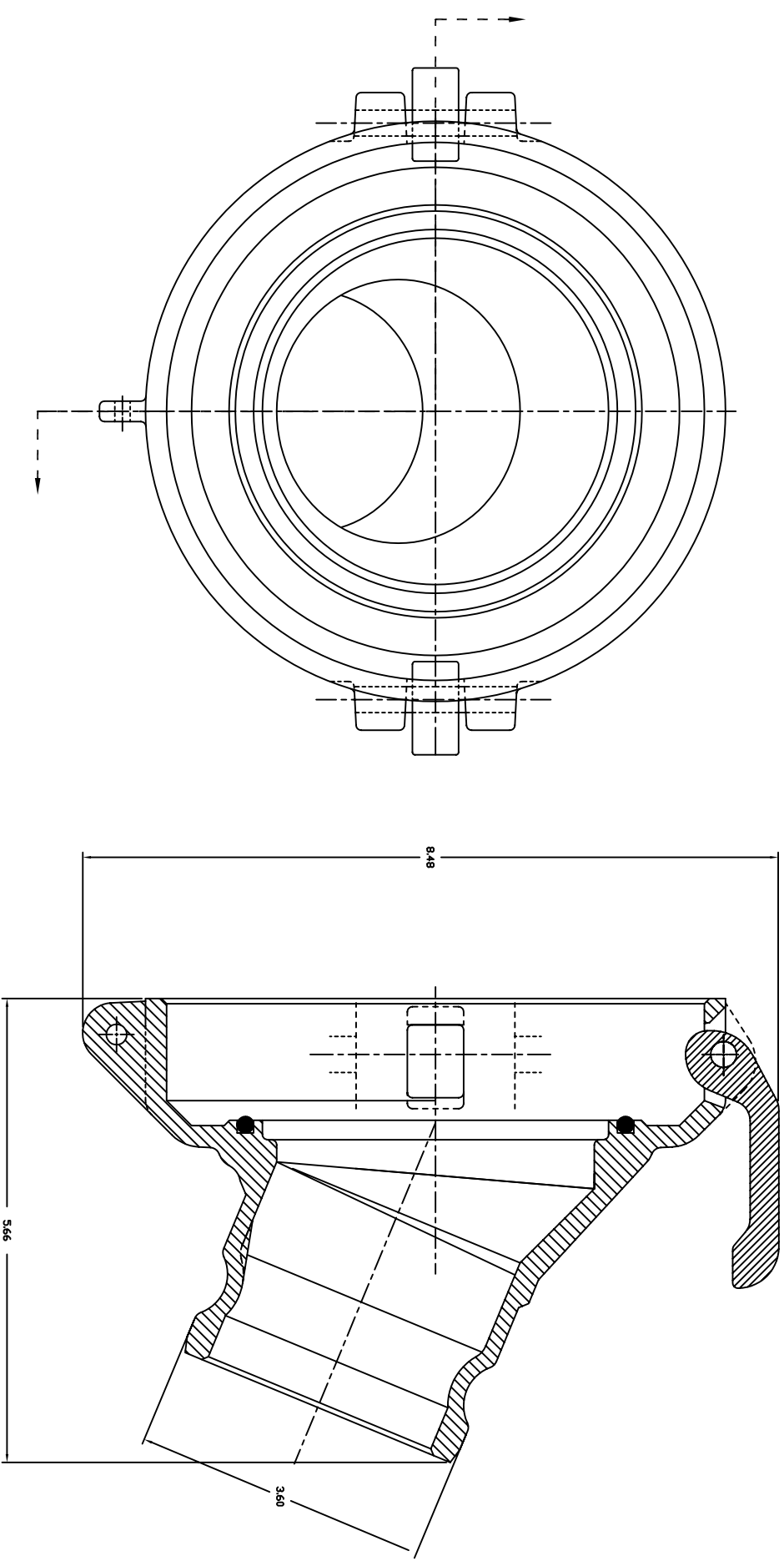


4 3 2 1

REVISIONS			
REV	DESCRIPTION	DATE	APPROVED



A B C D A B C D

4 3 2 1

<b>Dixon Bayco USA</b> Cincinnati, Ohio, U.S.A. <small>A Dixon Bayco Company</small>		<b>GRAVITY DROP ADAPTER</b> 4530 (451218)	
<small>THIS DRAWING IS THE PROPERTY OF DIXON BAYCO. IT IS TO BE USED FOR THE MANUFACTURE OF THE PARTS AND ASSEMBLIES SPECIFICALLY IDENTIFIED HEREON. IT IS NOT TO BE REPRODUCED OR TRANSMITTED IN ANY FORM OR BY ANY MEANS, ELECTRONIC OR MECHANICAL, INCLUDING PHOTOCOPYING, RECORDING, OR BY ANY INFORMATION STORAGE AND RETRIEVAL SYSTEM.</small>		<small>DATE 25/MAR/1994</small>	
<small>SCALE NONE</small>		<small>SHEET 1 OF 1</small>	