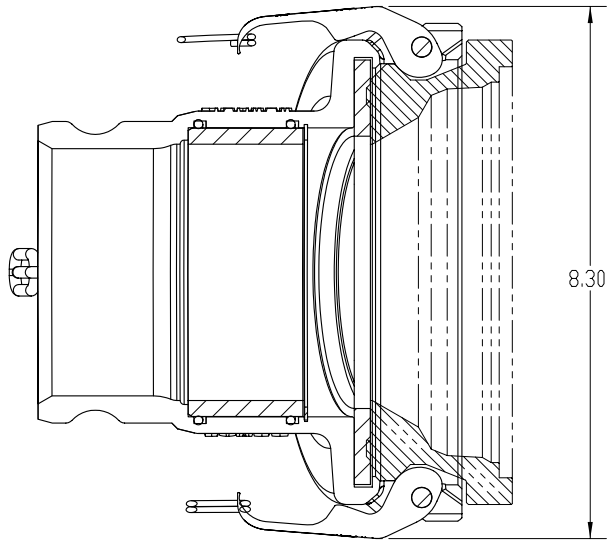
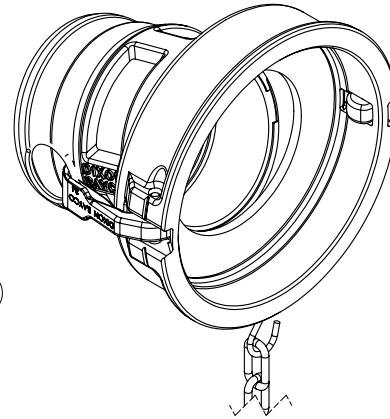
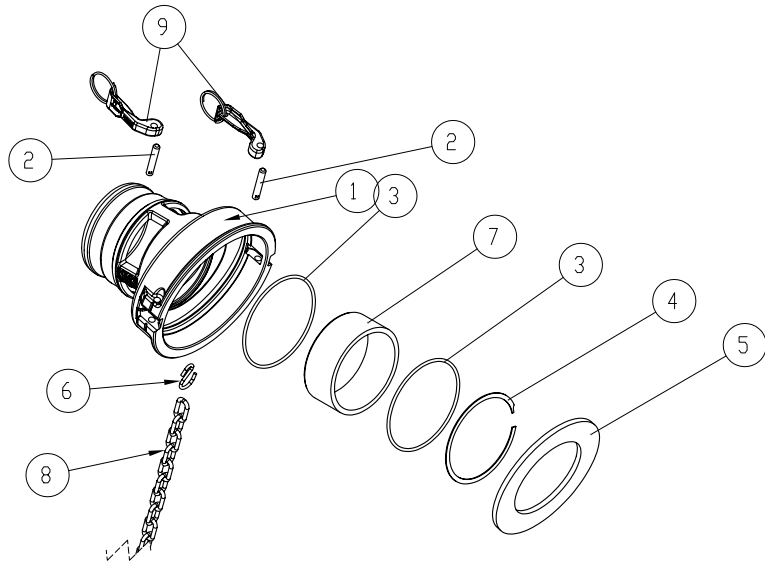
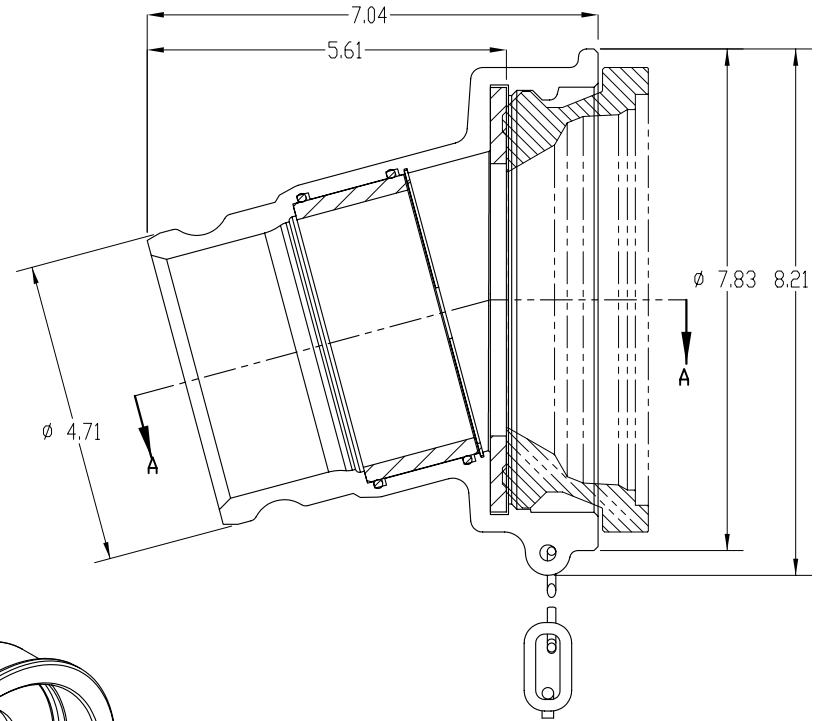


THE INFORMATION CONTAINED IN THIS DRAWING IS THE SOLE PROPERTY OF DIXON BAYCO LIMITED. ANY REPRODUCTION IN PART OR WHOLE WITHOUT THE WRITTEN PERMISSION OF DIXON BAYCO LIMITED IS PROHIBITED.

REVISION TABLE				
REV.	ECO	DESCRIPTION	DATE	APPROVED
*	**	**	**	**



SECTION A-A



ITEM NO.	DESCRIPTION	QTY.
1	BODY	1
2	SST PIN	2
3	BUNA O-RING	2
4	RETAINING RING	1
5	BUNA GASKET	1
6	S-HOOK	1
7	ACRYLIC TUBE	1
8	CHAIN 18"	1
9	CAM ARM #34 WITH RING	2

		DIXON BAYCO LIMITED 2200 LOGAN AVE. WINNIPEG, MB. R2R 0J2 PHONE (204) 633-5650 FAX (204) 633-6119	
		TITLE 4" DROP ADAPTER W/SG	
CAD GENERATED DRAWING; DO NOT MANUALLY UPDATE. DO NOT SCALE DRAWING.		APPROVALS DRAWN BY: F.FIDELINO CHECKED: C.MARTENS	DATE FEB 16/07 FEB 16/07
SIZE/DWG. NO. B / 4540SG		CUSTOMER DRAWING	REV. 0
		SHEET 1 OF 1	