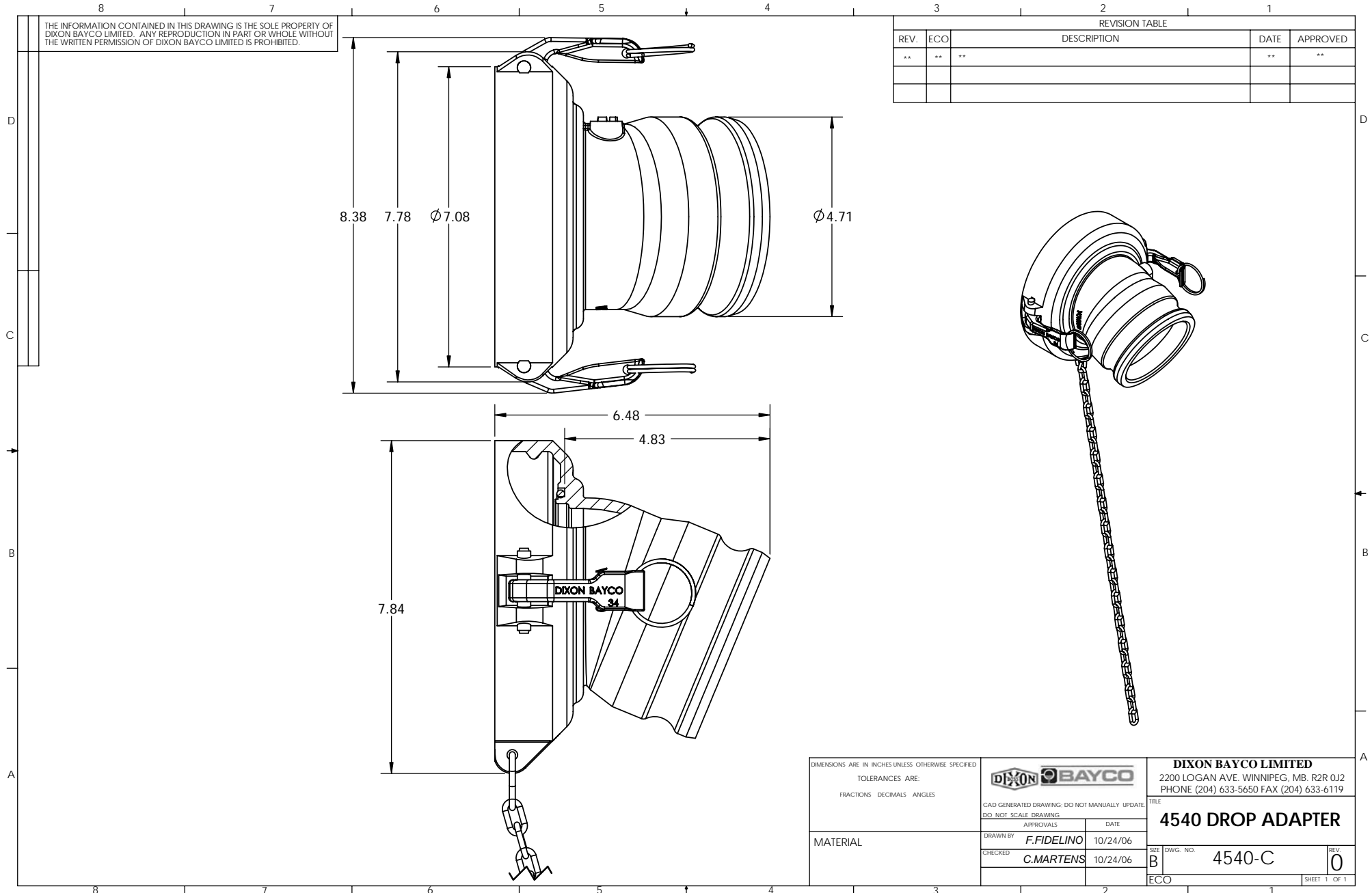


THE INFORMATION CONTAINED IN THIS DRAWING IS THE SOLE PROPERTY OF DIXON BAYCO LIMITED. ANY REPRODUCTION IN PART OR WHOLE WITHOUT THE WRITTEN PERMISSION OF DIXON BAYCO LIMITED IS PROHIBITED.

REVISION TABLE				
REV.	ECO	DESCRIPTION	DATE	APPROVED
**	**	**	**	**



DIMENSIONS ARE IN INCHES UNLESS OTHERWISE SPECIFIED
 TOLERANCES ARE:
 FRACTIONS DECIMALS ANGLES



CAD GENERATED DRAWING. DO NOT MANUALLY UPDATE.
 DO NOT SCALE DRAWING

DIXON BAYCO LIMITED
 2200 LOGAN AVE. WINNIPEG, MB. R2R 0J2
 PHONE (204) 633-5650 FAX (204) 633-6119

TITLE
4540 DROP ADAPTER

MATERIAL

APPROVALS	DATE
DRAWN BY F.FIDELINO	10/24/06
CHECKED C.MARTENS	10/24/06

SIZE DWG. NO. REV.
B 4540-C **0**

ECO SHEET 1 OF 1