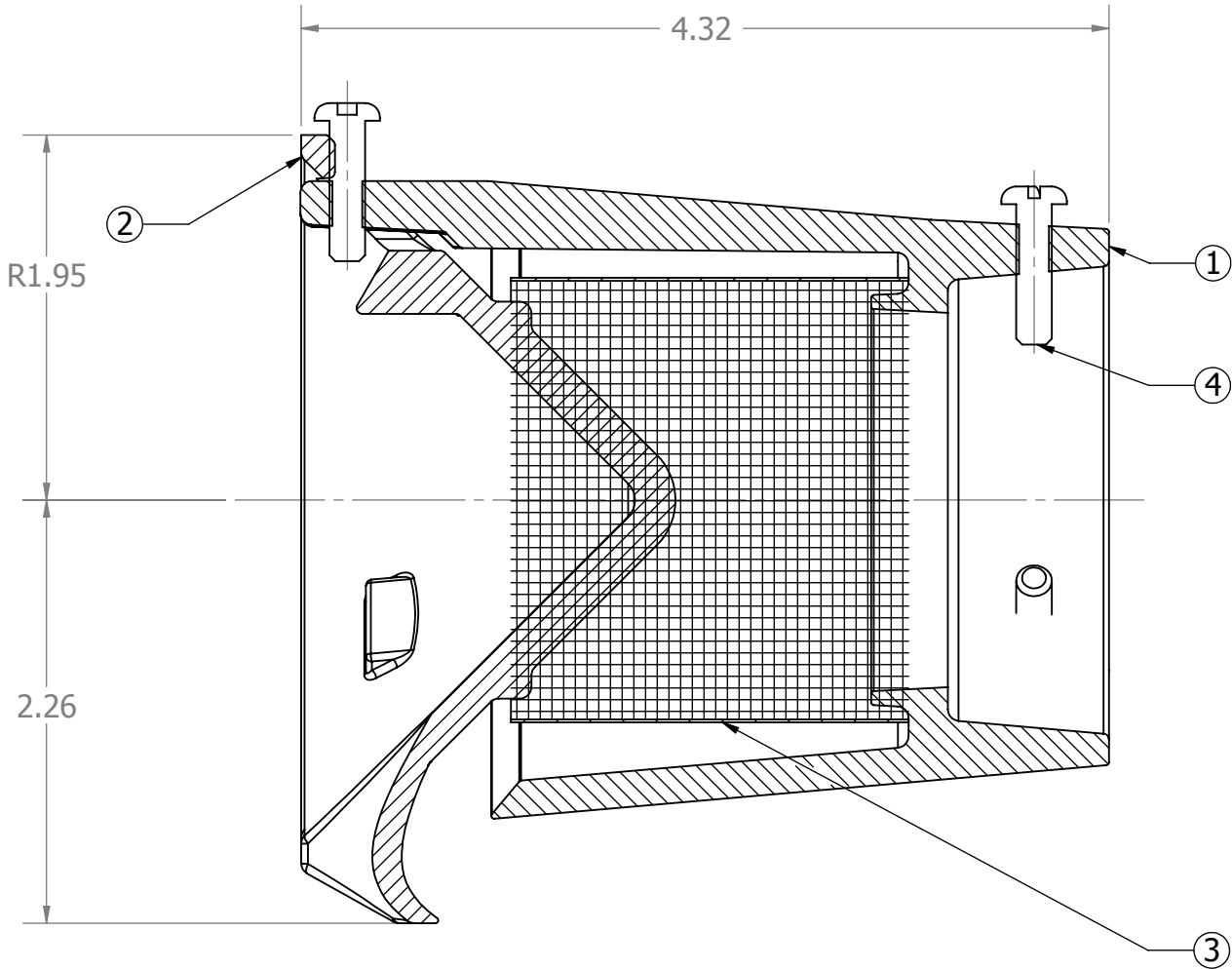


REVISIONS TABLE

REV.	ECO	DESCRIPTION	DATE	APPROVED
X	X	X	X	X



SECTION A-A  
SCALE 1 : 1

ITEM NO.	PART NUMBER	DESCRIPTION	QTY.
1	340254	BODY, ALUMINUM CASTING	1
2	240017	TOP, ALUMINUM CASTING	1
3	390339	SCREEN, BRASS WIRE CLOTH	1
4	110148	SCREW, 10-24NCX3/4 LONG	4

MATERIAL	<b>DIXON BAYCO LIMITED</b> 2200 LOGAN AVE. WINNIPEG, MB. R2R 0J2 PHONE (204) 633-5650 FAX (204) 633-6119		DWG. NO. <b>450220</b> <b>CUSTOMER DRAWING</b>	
	APPROVALS		TITLE SERVICE STATION VENT, 47/48 1-1/2", 2"	
	DONE BY <i>L.X.</i> CHECKED <i>F.F.</i> DO NOT SCALE DRAWING	DATE MAR 24 2008 MAR 24 2008	SIZE <b>A</b> ECO	REV. <b>0</b> SHEET 1 OF 1