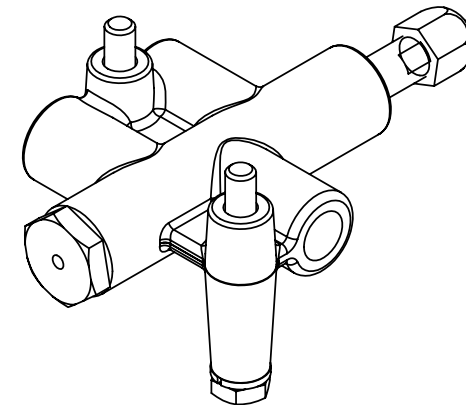
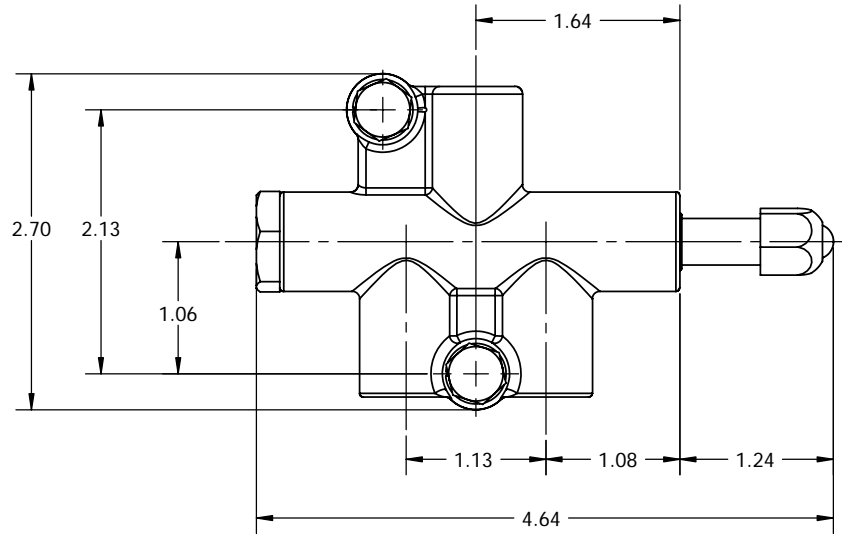
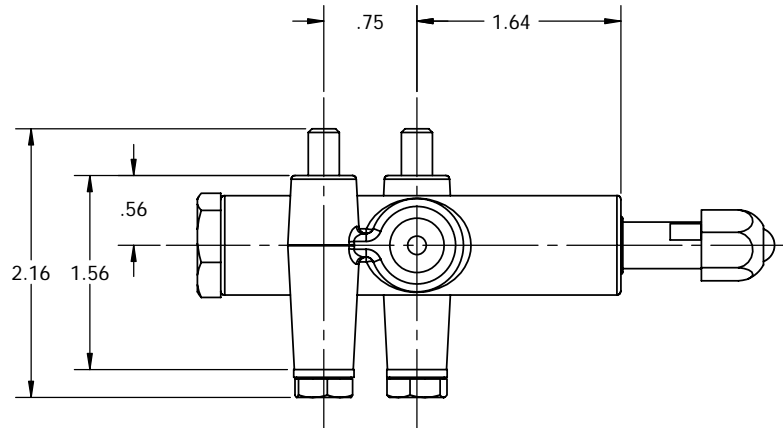


THE INFORMATION CONTAINED IN THIS DRAWING IS THE SOLE PROPERTY OF DIXON BAYCO LIMITED. ANY REPRODUCTION IN PART OR WHOLE WITHOUT THE WRITTEN PERMISSION OF DIXON BAYCO LIMITED IS PROHIBITED.

REVISION TABLE				
REV.	ECO	DESCRIPTION	DATE	APPROVED
**	**	**	**	**



NOTES:
1. ALL SHARP EDGES AND BURRS TO BE REMOVED

DIMENSIONS ARE IN INCHES UNLESS OTHERWISE SPECIFIED		DIXON BAYCO		DIXON BAYCO LIMITED	
TOLERANCES ARE: FRACTIONS DECIMALS ANGLES		CAD GENERATED DRAWING: DO NOT MANUALLY UPDATE DO NOT SCALE DRAWING		2200 LOGAN AVE. WINNIPEG, MB. R2R 0J2 PHONE (204) 633-5650 FAX (204) 633-6119	
MATERIAL		APPROVALS	DATE	TITLE	
		DRAWN BY <i>F.FIDELINO</i>	10/24/06	AIR INTERLOCK W/ROLLER	
		CHECKED <i>C.MARTENS</i>	10/24/06	SIZE B	DWG. NO. 5000AIR-C
				ECO	REV. 0
				SHEET 1 OF 1	