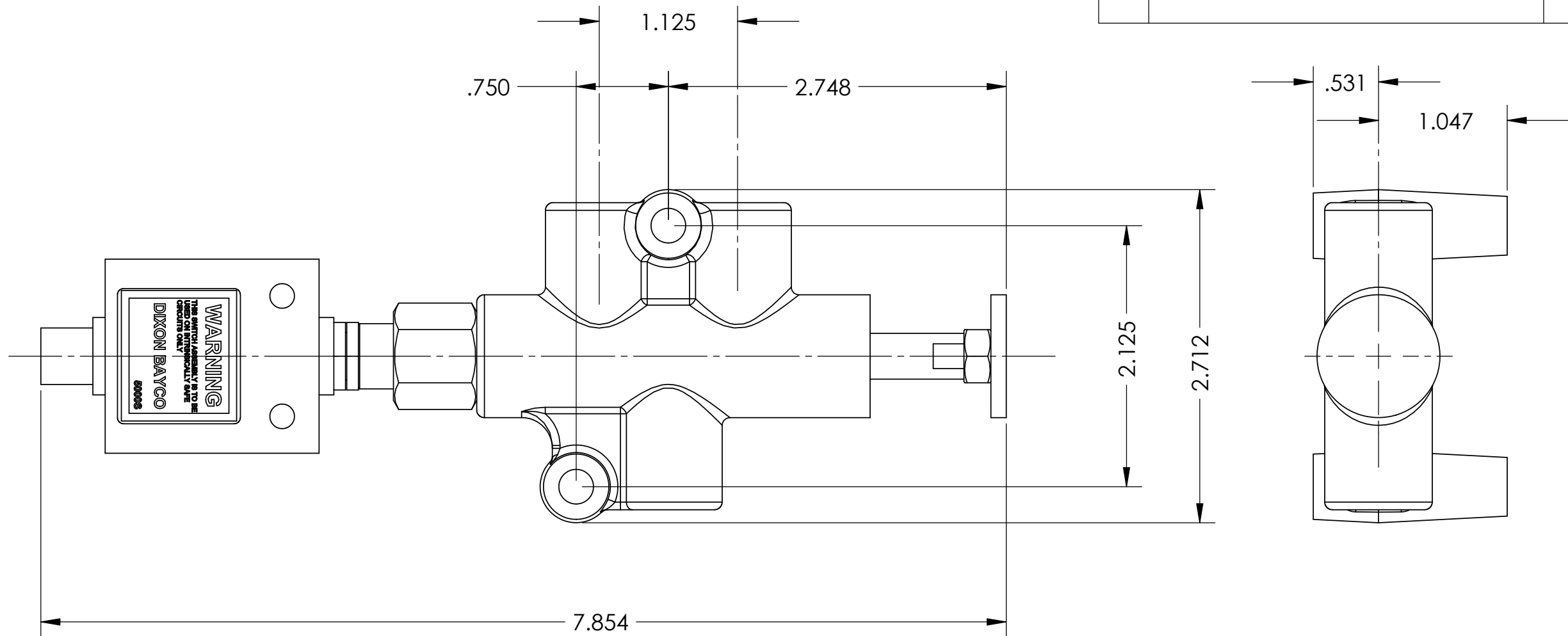


REVISIONS			
REV	DESCRIPTION	DATE	APPROVED



WARNING
 THIS SWITCH ASSEMBLY IS TO BE USED ONLY IN THE MOUNTING POSITION SHOWN.
 DIXON BAYCO
 5000S

Dixon Bayco USA		TITLE 5000AISW AIR INTERLOCK SWITCH ASSEMBLY	
Cincinnati, Ohio, U.S.A A DVCC Inc. Company		CUSTOMER DRAWING	
THIS DRAWING IS CONFIDENTIAL PROPERTY OF DIXON BAYCO USA, A DIVISION OF DVCC AND IS SUBJECT TO RETURN ON DEMAND. © COPYRIGHT 2000 DO NOT COPY.			
DIM. TOLERANCES UNLESS SPECIFIED			
INCHES .X +/- .050 MACHINE FRACTION +/- 1/64		.XX +/- .010 ROUGH CASTING +/- 1/32	
.XXX +/- .005 SURF. FINISH 125 AA MAX		ANGLES ±1/2°	
SIZE B	DRAWN BY FAHL	DWG NO. A-5000AISW-CST	REV -
SCALE FULL		DATE 11SEP2003	SHEET 1 OF 1