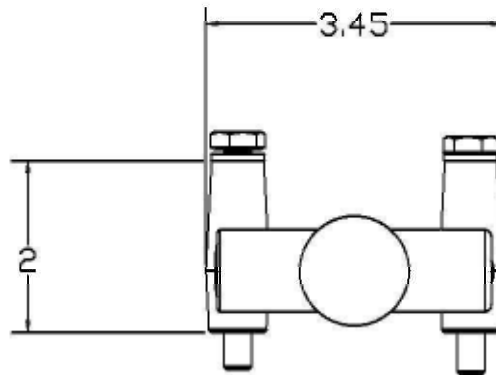
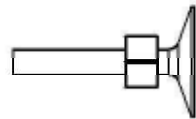
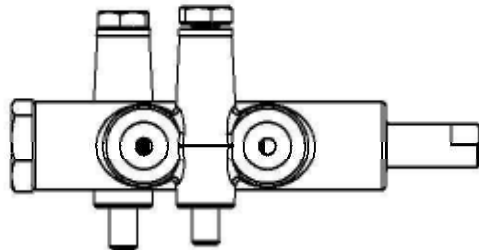
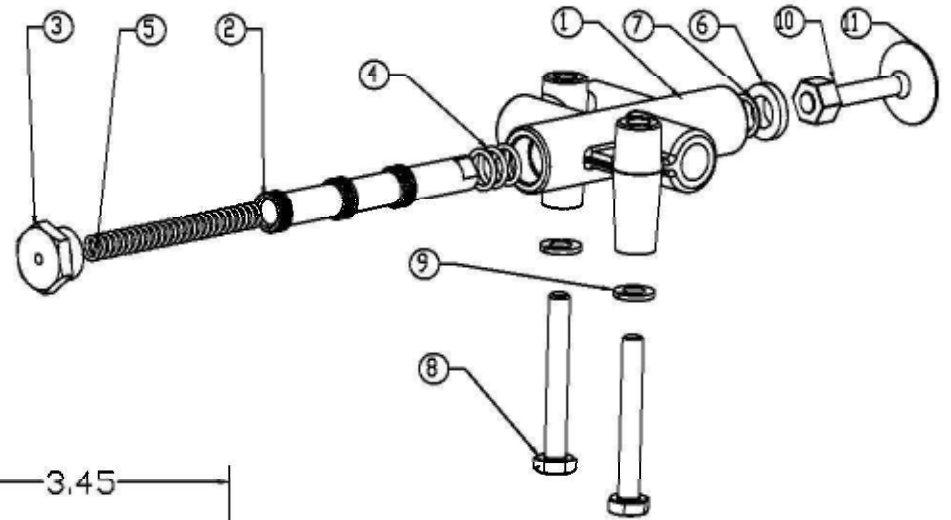
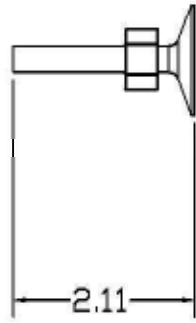
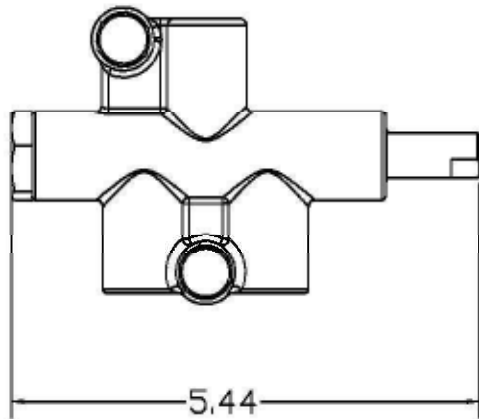


THE INFORMATION CONTAINED IN THIS DRAWING IS THE SOLE PROPERTY OF DIXON-BAYCO INC. ANY REPRODUCTION IN PART OR WHOLE WITHOUT THE WRITTEN PERMISSION OF DIXON-BAYCO LIMITED IS PROHIBITED.



DIMENSIONS ARE IN INCHES UNLESS OTHERWISE SPECIFIED  
 TOLERANCES AND FINISHES  
 FRACTIONS DECIMALS ANGLES  
 ± 1/32 ± 0.005 ± 0.01 ± 1°  
 UNLESS NOTED OTHERWISE



DIXON BAYCO LIMITED  
 2200 LOGAN AVE. WINNIPEG, MB. R2R 0J2  
 PHONE (204) 633-5630 FAX (204) 633-6119

DATE	---	CHK	---
REVISED	---	BY	---
DESIGNED BY	DF	DATE	MAY 29/04
CHECKED BY	JE	DATE	MAY 29/04

APPROVALS	
DATE	---

TITLE  
**AIR INTERLOCK VALVE**

REV. NO.  
 B

REV. NO.  
 5000A1-CST

SHEET 1 OF 1