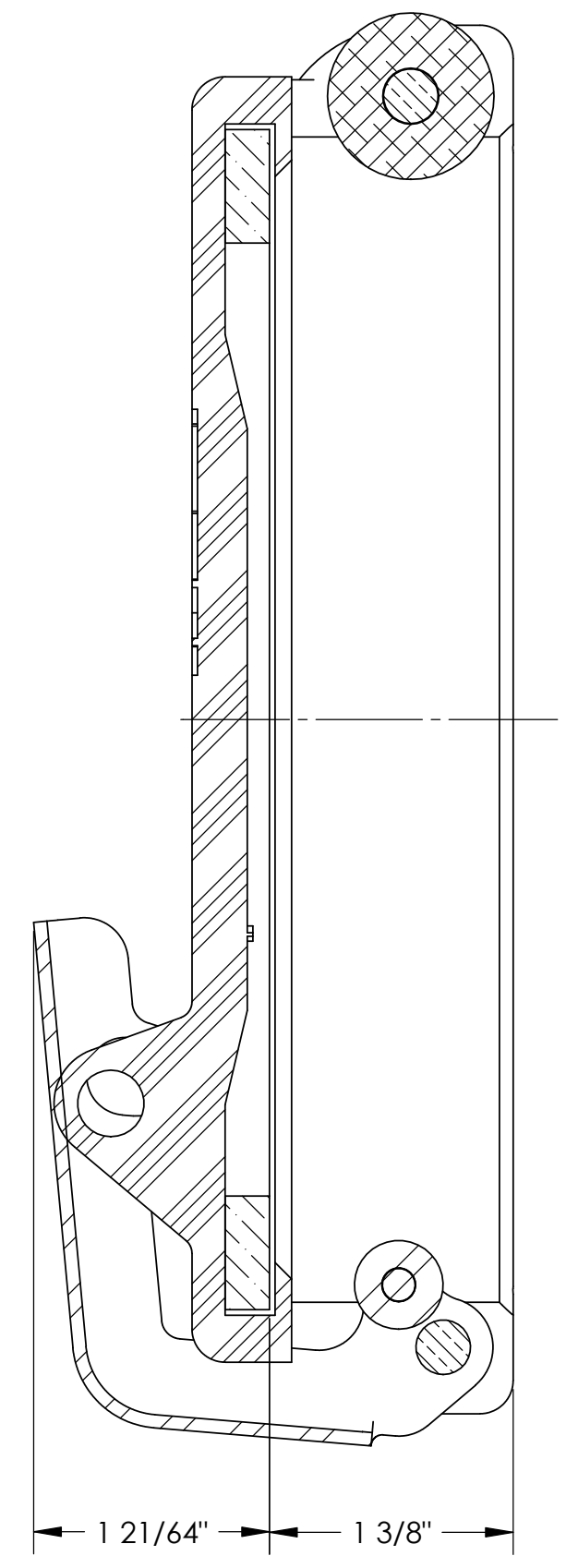
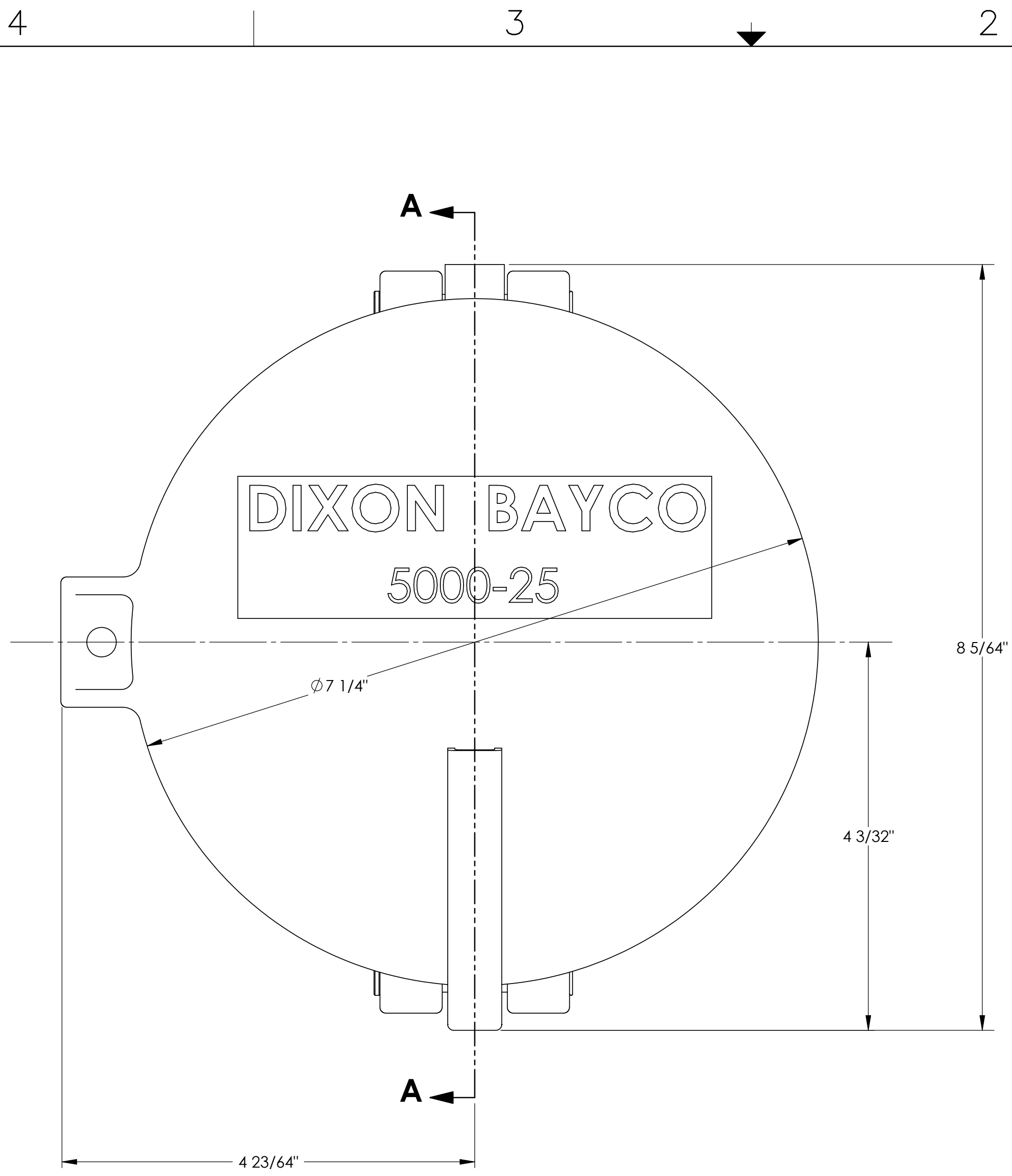


REVISIONS			
REV	DESCRIPTION	DATE	APPROVED



SECTION A-A

Dixon Bayco USA Cincinnati, Ohio, U.S.A A DVCC Inc. Company		TITLE 5000-25 CUSTOMER DRAWING	
THIS DRAWING IS CONFIDENTIAL PROPERTY OF DIXON BAYCO USA, A DIVISION OF DVCC AND IS SUBJECT TO RETURN ON DEMAND. © COPYRIGHT 2000 DO NOT COPY.			
DIM. TOLERANCES UNLESS SPECIFIED	SIZE	DRAWN BY	DWG NO.
INCHES .X +/- .050 MACHINE FRACTION +/- 1/64	C	FAHL	A-5000-25-CST
.XX +/- .010 ROUGH CASTING +/- 1/32	SCALE	DATE	SHEET
.XXX +/- .005 SURF. FINISH 125 AA MAX ANGLES ±1/2°	FULL	28MAR2003	1 OF 1