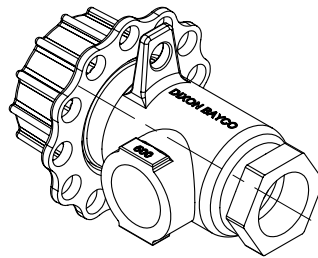
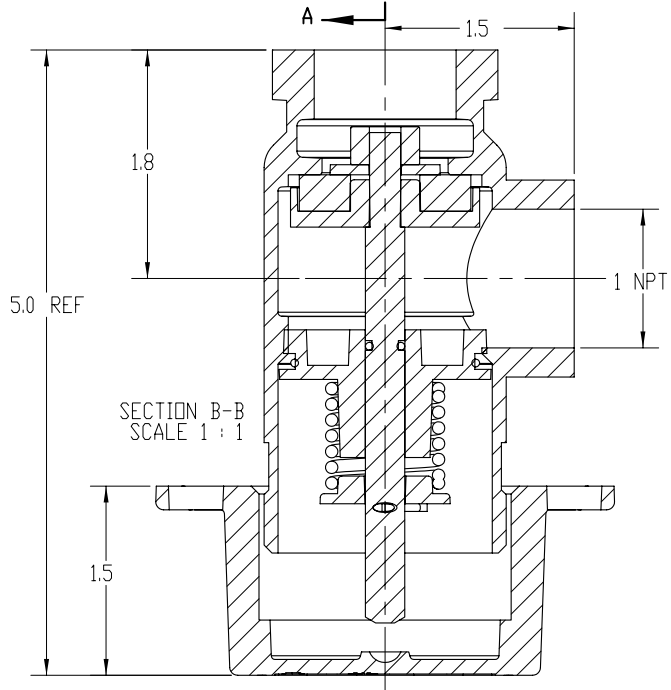
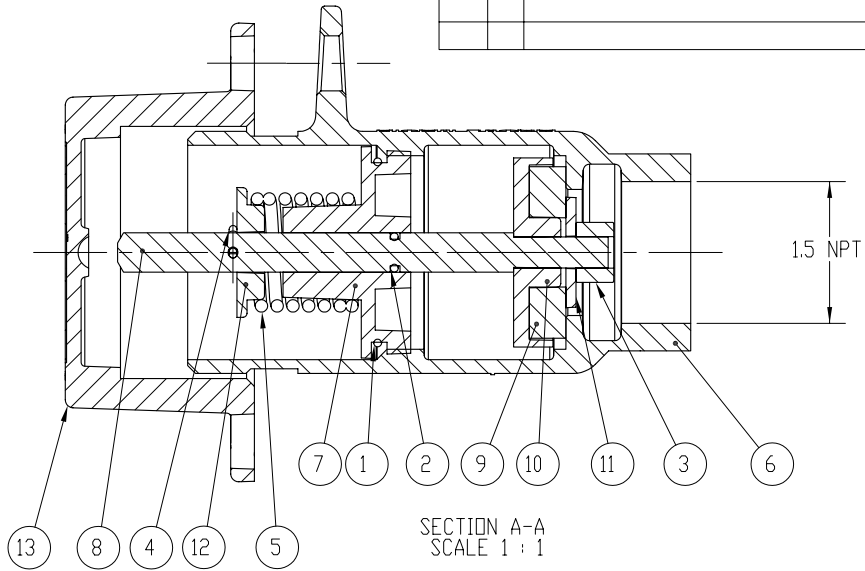
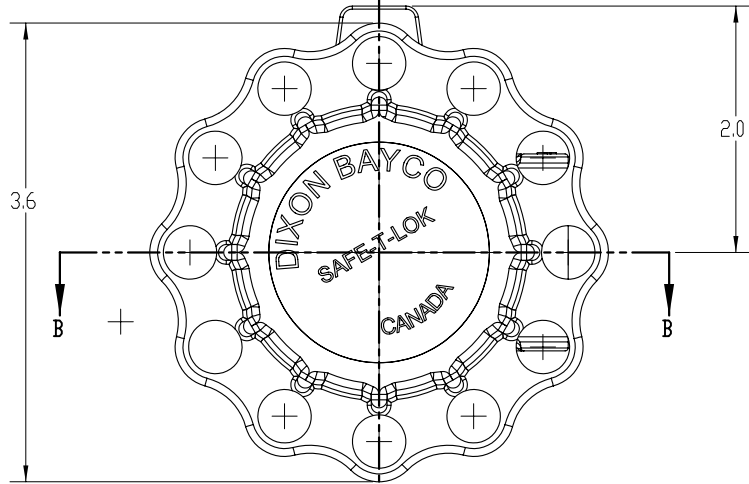


THE INFORMATION CONTAINED IN THIS DRAWING IS THE SOLE PROPERTY OF DIXON BAYCO LIMITED. ANY REPRODUCTION IN PART OR WHOLE WITHOUT THE WRITTEN PERMISSION OF DIXON BAYCO LIMITED IS PROHIBITED.

REVISION TABLE				
REV.	ECD	DESCRIPTION	DATE	APPROVED
**	**	**	**	**



ITEM NO.	PART NUMBER	DESCRIPTION	QTY.
1	110072	O-ring	1
2	110050	O-ring	1
3	110052	Nut	1
4	110746	Cotter Pin	1
5	110899	SPRING COMPRESSION, SS	1
6	340102	Body	1
7	340105	Stem Guide	1
8	390030	Valve Stem	1
9	110051	Disc	1
10	340107	Retainer Cap, Zinc	1
11	340106	End Washer	1
12	340104	Retainer Washer	1
13	340103	Cap	1

DIMENSIONS ARE IN INCHES UNLESS OTHERWISE SPECIFIED
 TOLERANCES ARE:
 FRACTIONS DECIMALS ANGLES

DIXON BAYCO

CAD GENERATED DRAWING; DO NOT MANUALLY UPDATE.
 DO NOT SCALE DRAWING

APPROVALS: DRAWN BY F. Fidelino, DATE Aug 14/08; CHECKED H. Roche, DATE Aug 14/08

MATERIAL

DIXON BAYCO LIMITED
 2200 LOGAN AVE. WINNIPEG, MB, R2R 0J2
 PHONE (204) 633-5650 FAX (204) 633-6119

TITLE: 500 ANGLE VALVE 1"

SIZE/DWG. NO.: B 450071 Customer Drawing

REV. 0

ECD SHEET 1 OF 1