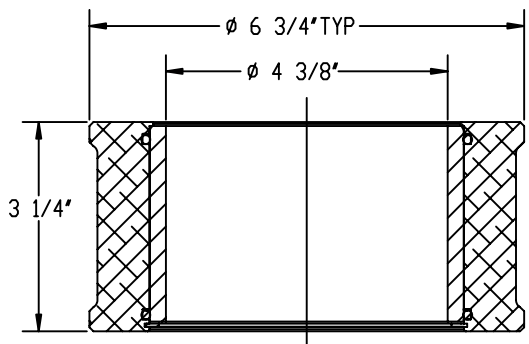
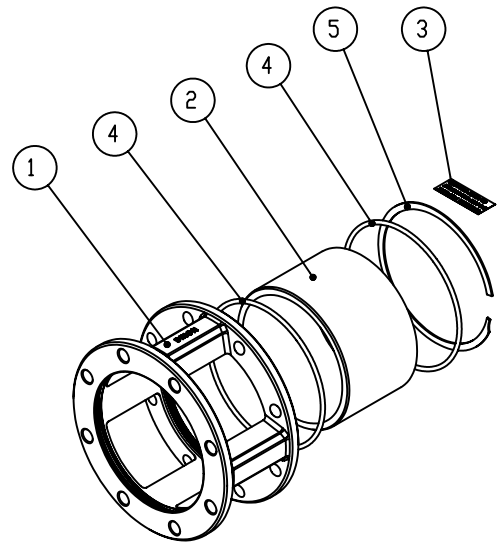
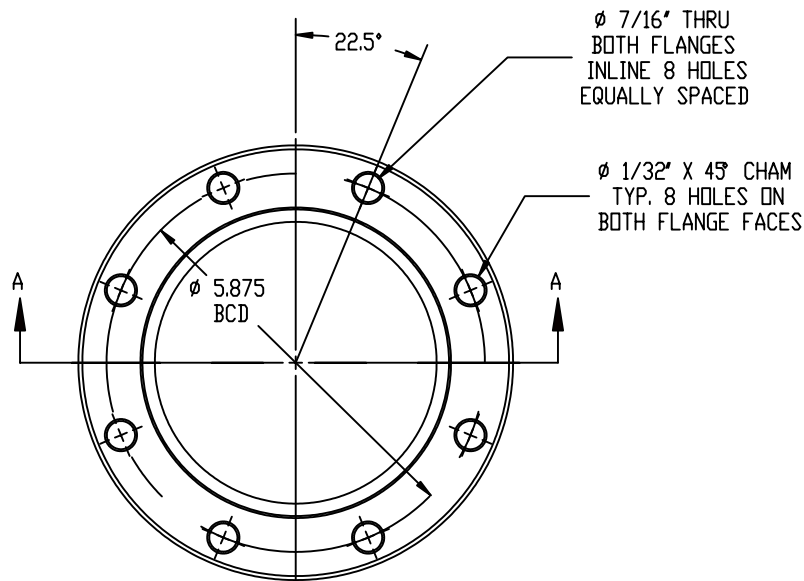


THE INFORMATION CONTAINED IN THIS DRAWING IS THE SOLE PROPERTY OF DIXON BAYCO LIMITED. ANY REPRODUCTION IN PART OR WHOLE WITHOUT THE WRITTEN PERMISSION OF DIXON BAYCO LIMITED IS PROHIBITED.

REVISION TABLE				
REV.	ECD	DESCRIPTION	DATE	APPROVED



SECTION A-A  
SCALE 1 : 2

ITEM NO.	DESCRIPTION	QTY.
1	Housing	1
2	Acrylic Sight Glass	1
3	Warning Label	1
4	O-ring	2
5	Retaining Ring	1

<small>DIMENSIONS ARE IN INCHES UNLESS OTHERWISE SPECIFIED</small> TOLERANCES ARE: FRACTIONS DECIMALS ANGLES			DIXON GROUP CANADA LIMITED 2200 LDGAN AVE. WINNIPEG, MB. R2R 0J2 PHONE (204) 633-5650 FAX (204) 633-6119	
	<small>CAD GENERATED DRAWING; DO NOT MANUALLY UPDATE. DO NOT SCALE DRAWING</small>		TITLE <b>4" Ttma Sight Glass 3.25" Wide</b>	
MATERIAL	DRAWN BY <b>F. FIDELINO</b>	DATE <b>MAR. 4, 2010</b>	SIZE/DWG. NO. <b>B 800086</b>	CUSTOMER DRAWING <b>10</b>
	CHECKED <b>R. FAHL</b>	DATE <b>MAR. 4, 2010</b>		