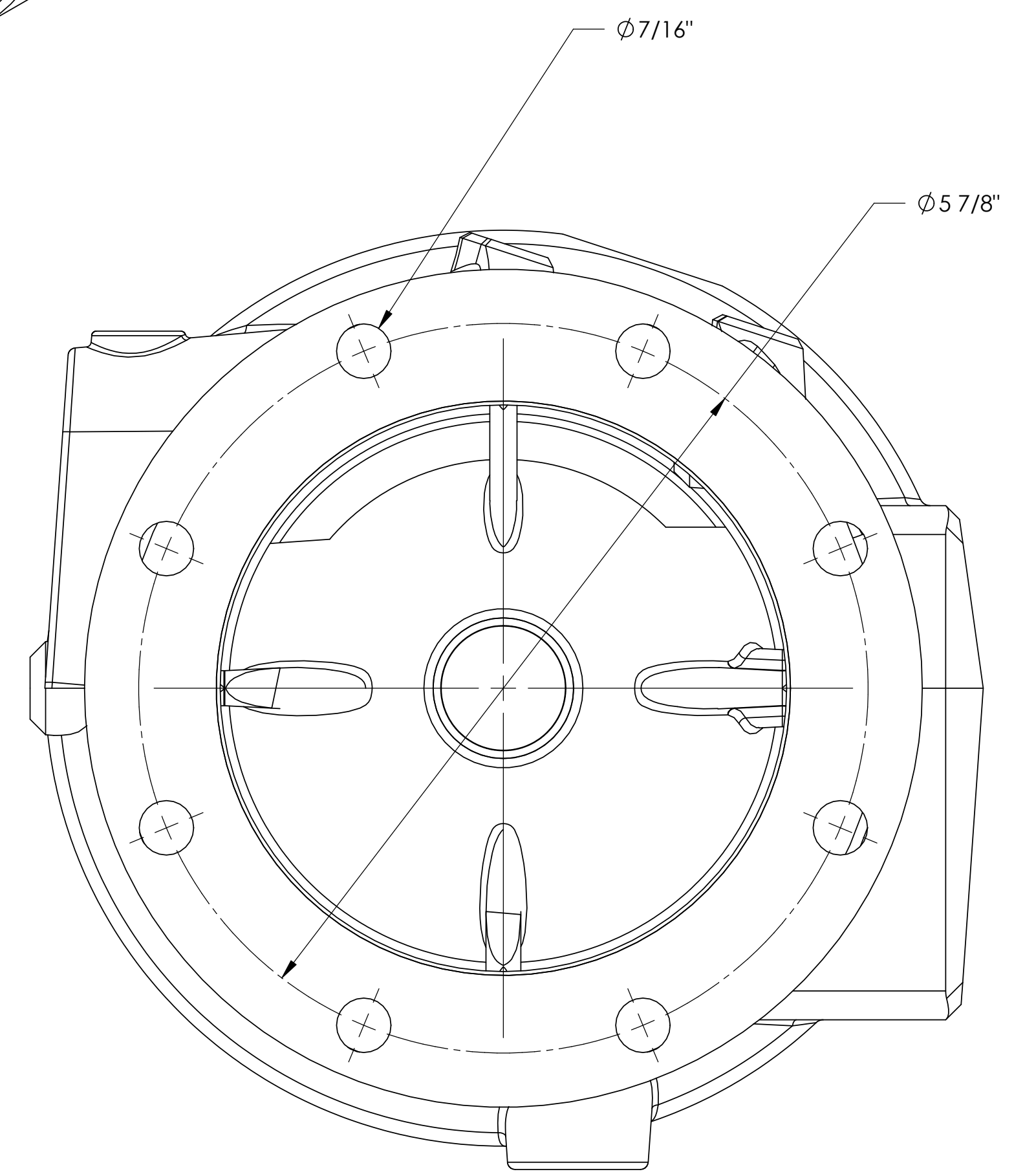
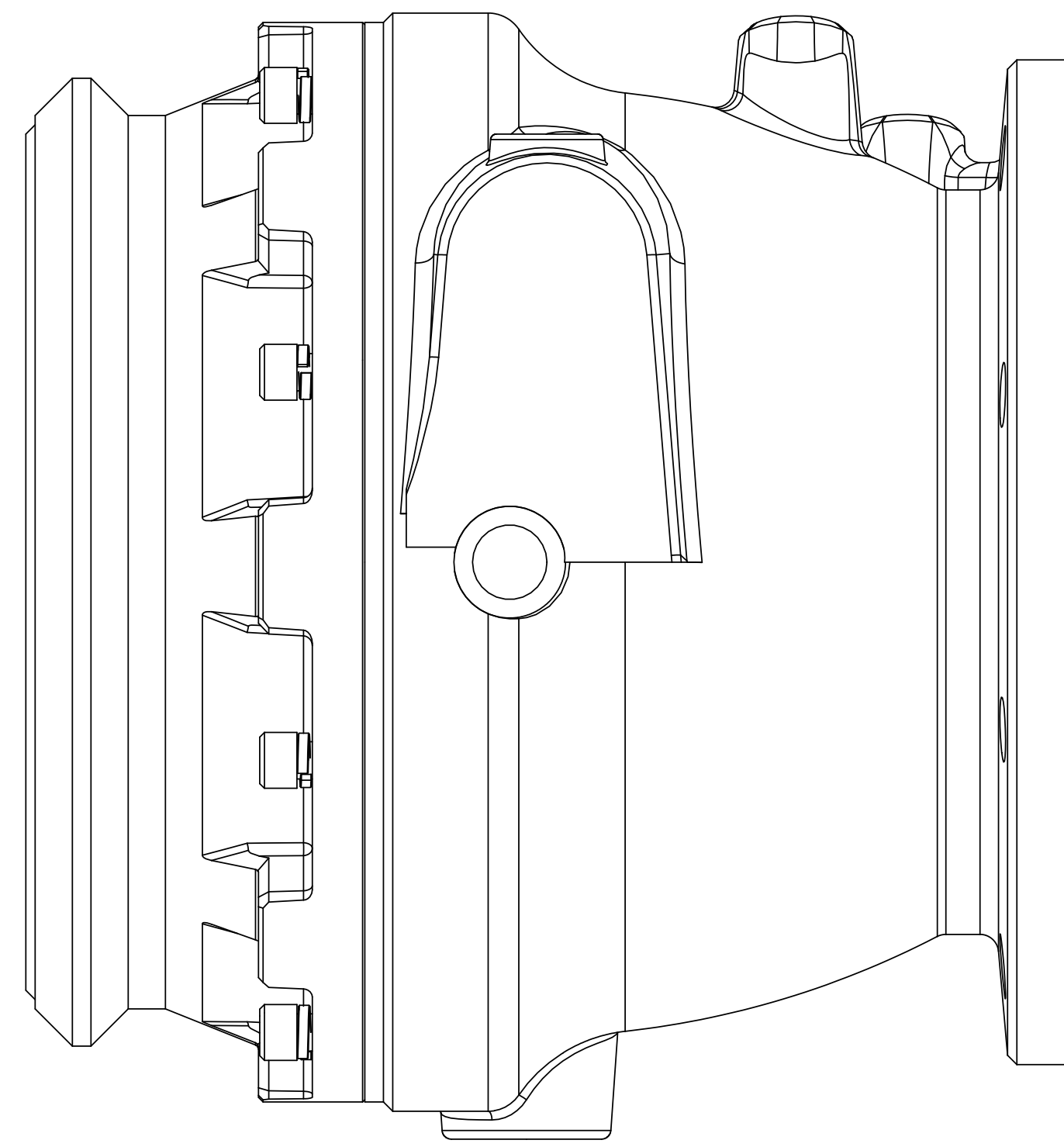
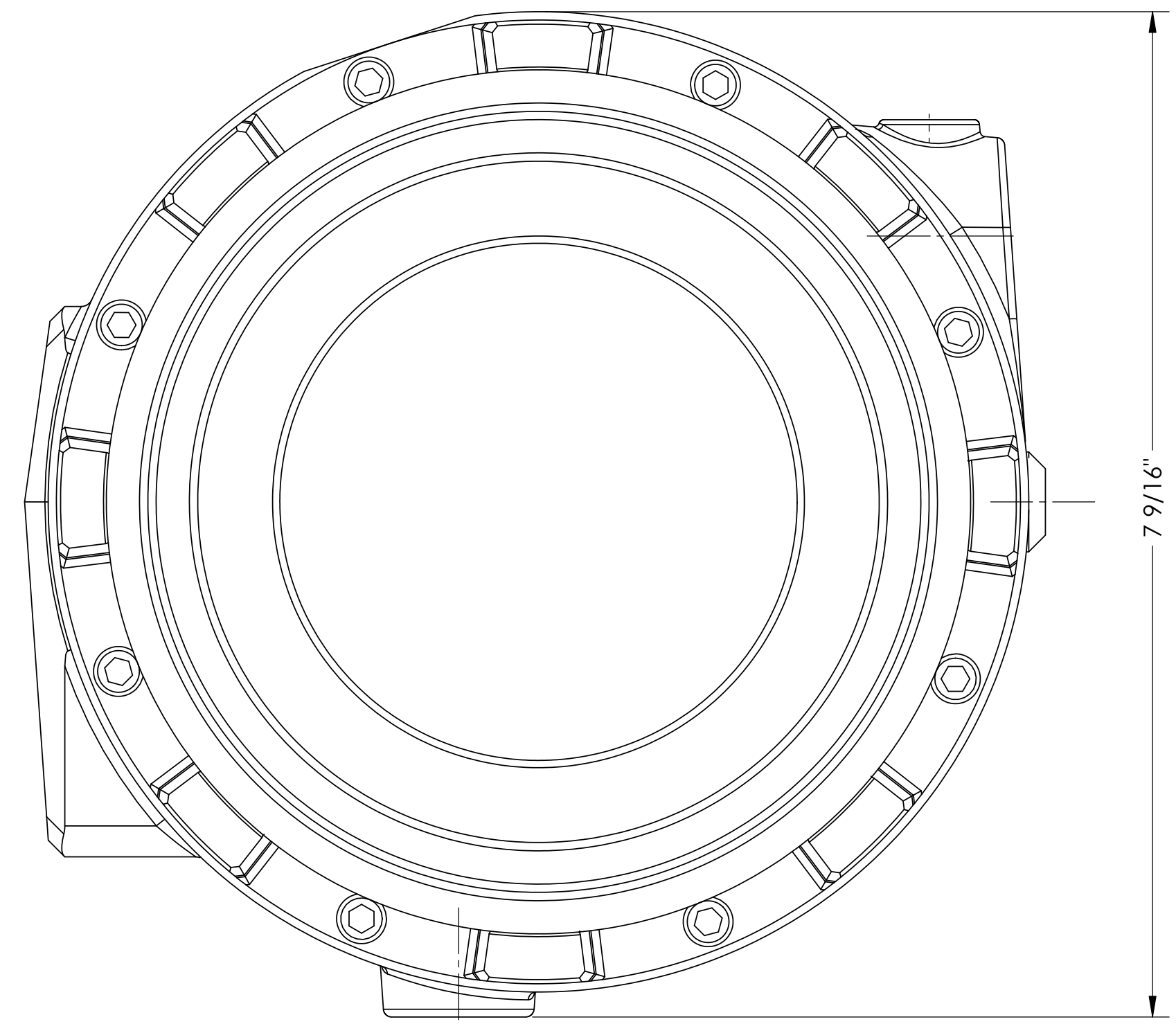
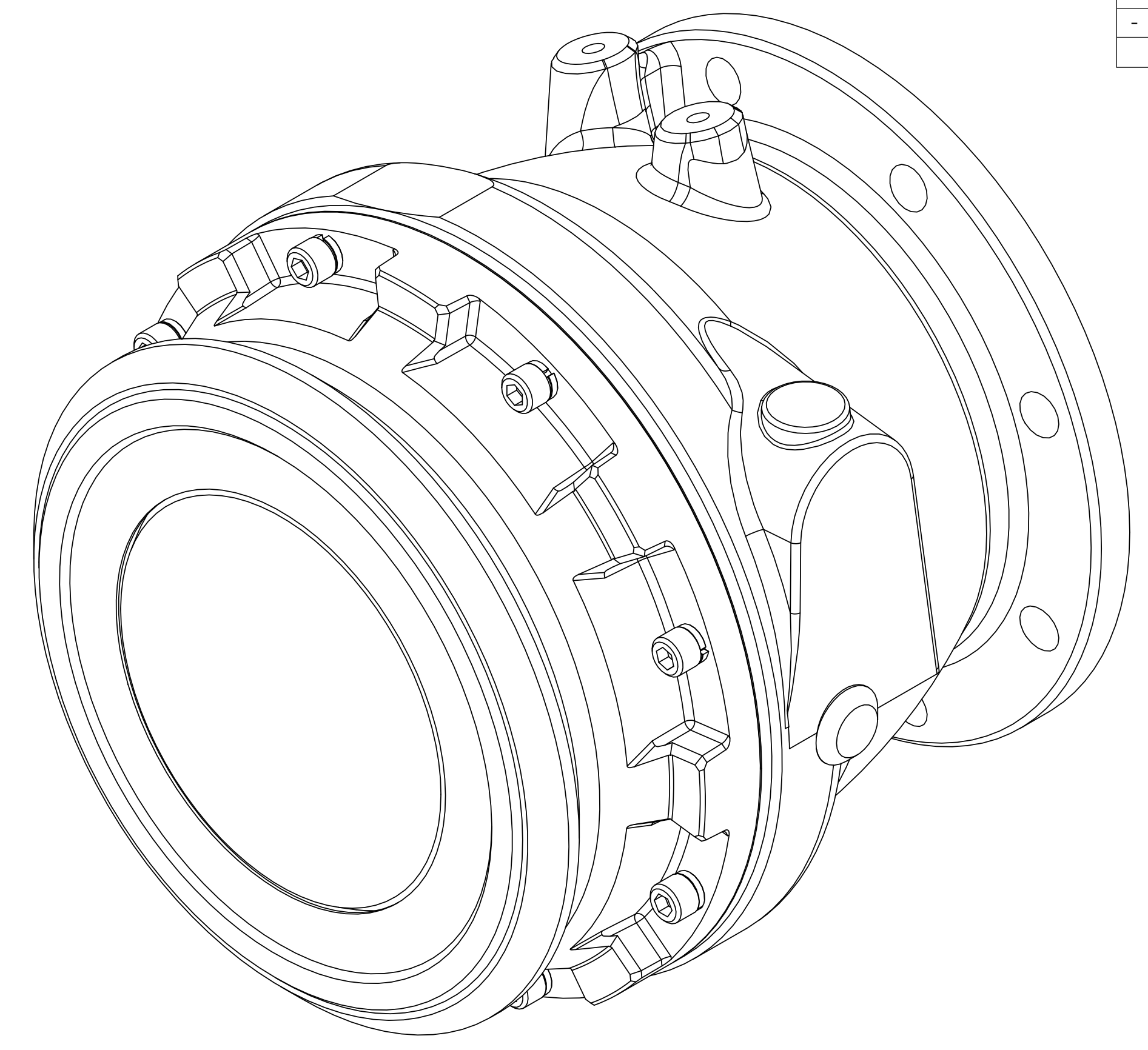
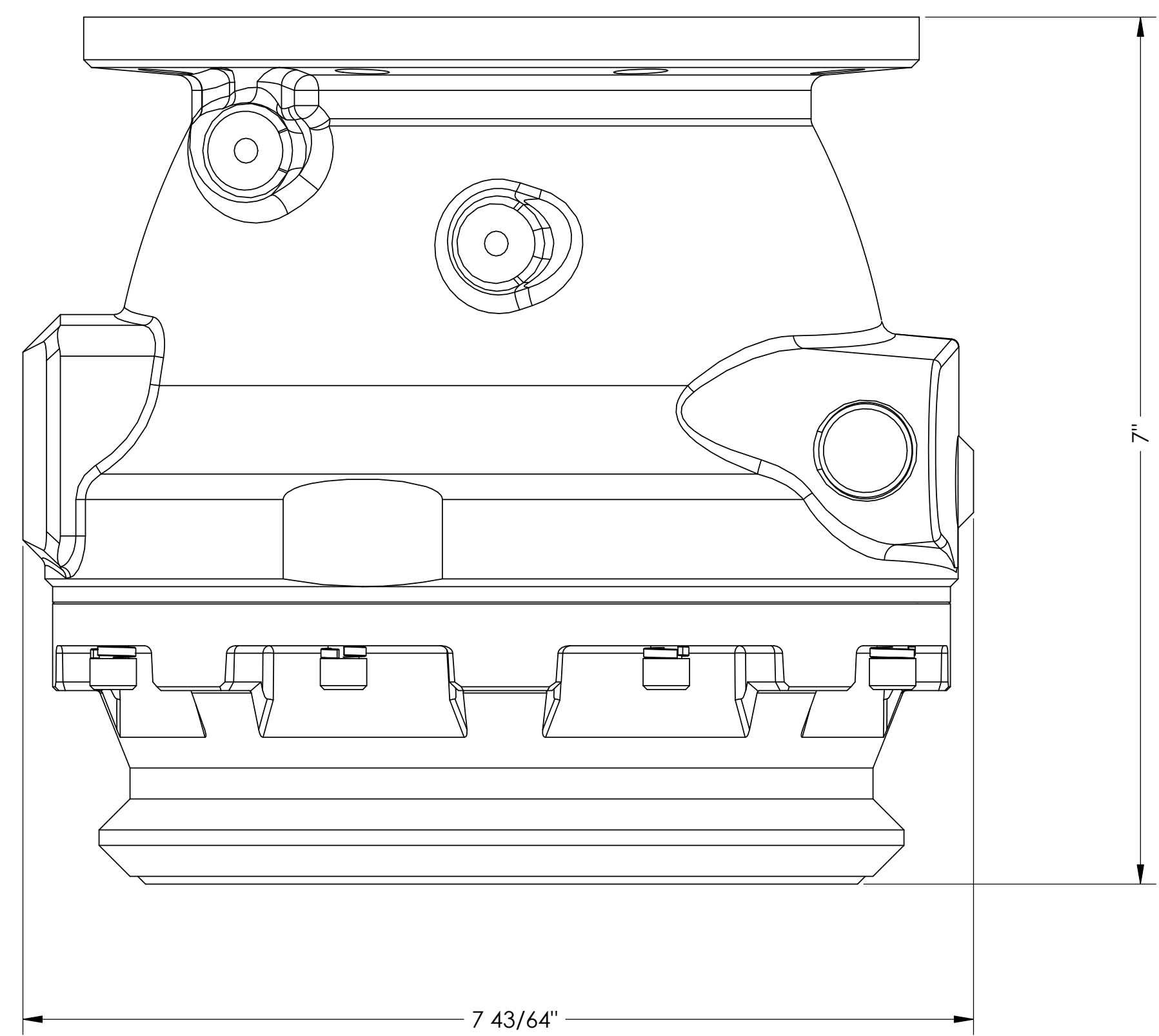


REVISIONS			
REV	DESCRIPTION	DATE	APPROVED
-			



Dixon Bayco USA Cincinnati, Ohio, U.S.A. <small>A DWCC Inc. Company</small> <small>THIS DRAWING IS CONFIDENTIAL PROPERTY OF DIXON BAYCO USA, A DIVISION OF DWCC AND IS SUBJECT TO RETURN ON DEMAND.</small> <small>© COPYRIGHT 2005 DO NOT COPY.</small> <small>DIM. TOLERANCES UNLESS SPECIFIED: INCHES: X +/- .010 MACHINING FRACTION +/- .012 (SEE LAST PAGE)</small> <small>XXX +/- .005 SURF FINISH: 125 AA MAX ANGLES: R12</small>	TITLE	5204LNG CUSTOMER DRAWING	
	SIZE D DRAWN BY FAHL DWG NO. 5204LNG-CST REV -	SCALE FULL DATE 18FEB2005 SHEET 1 OF 1	