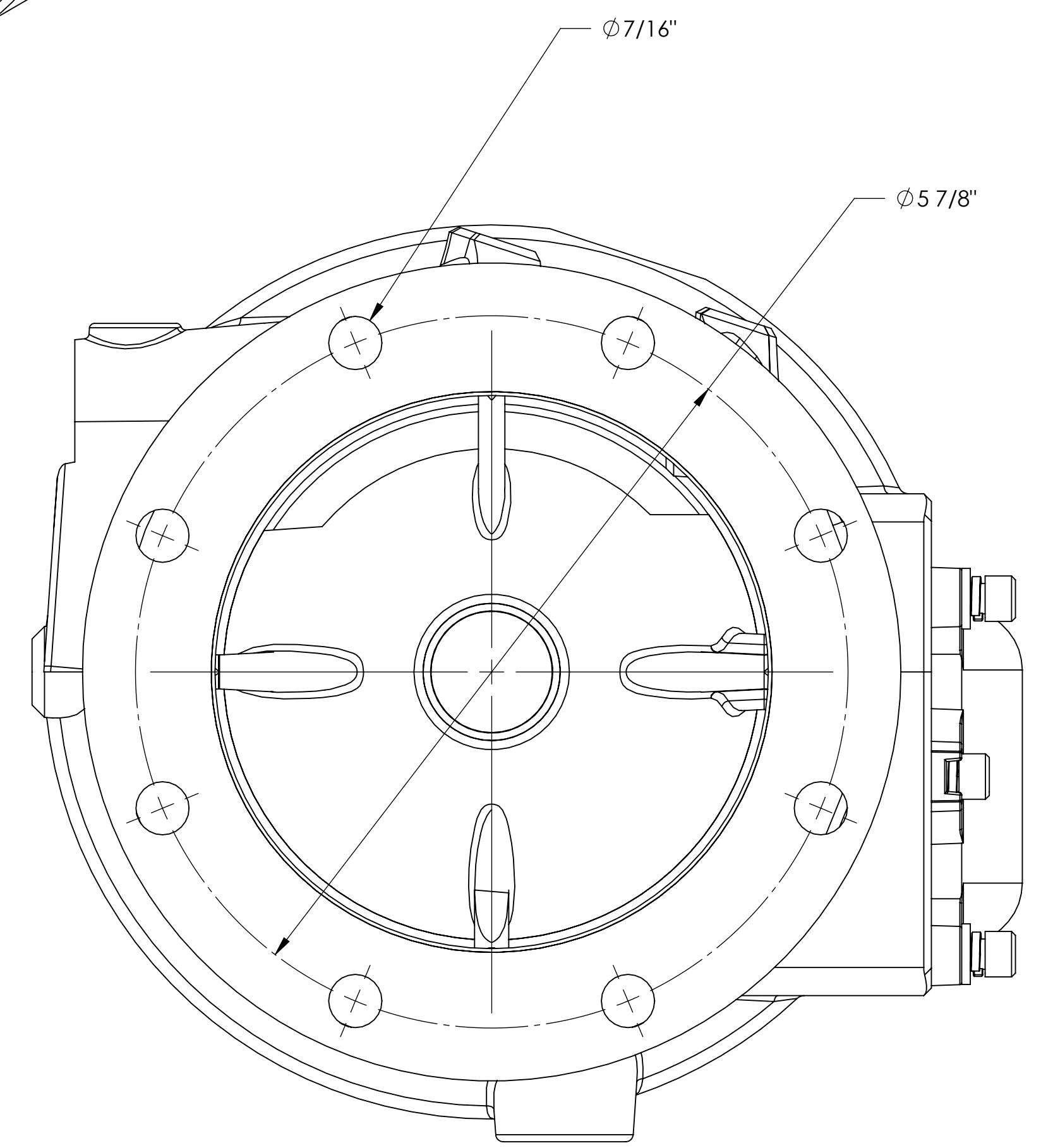
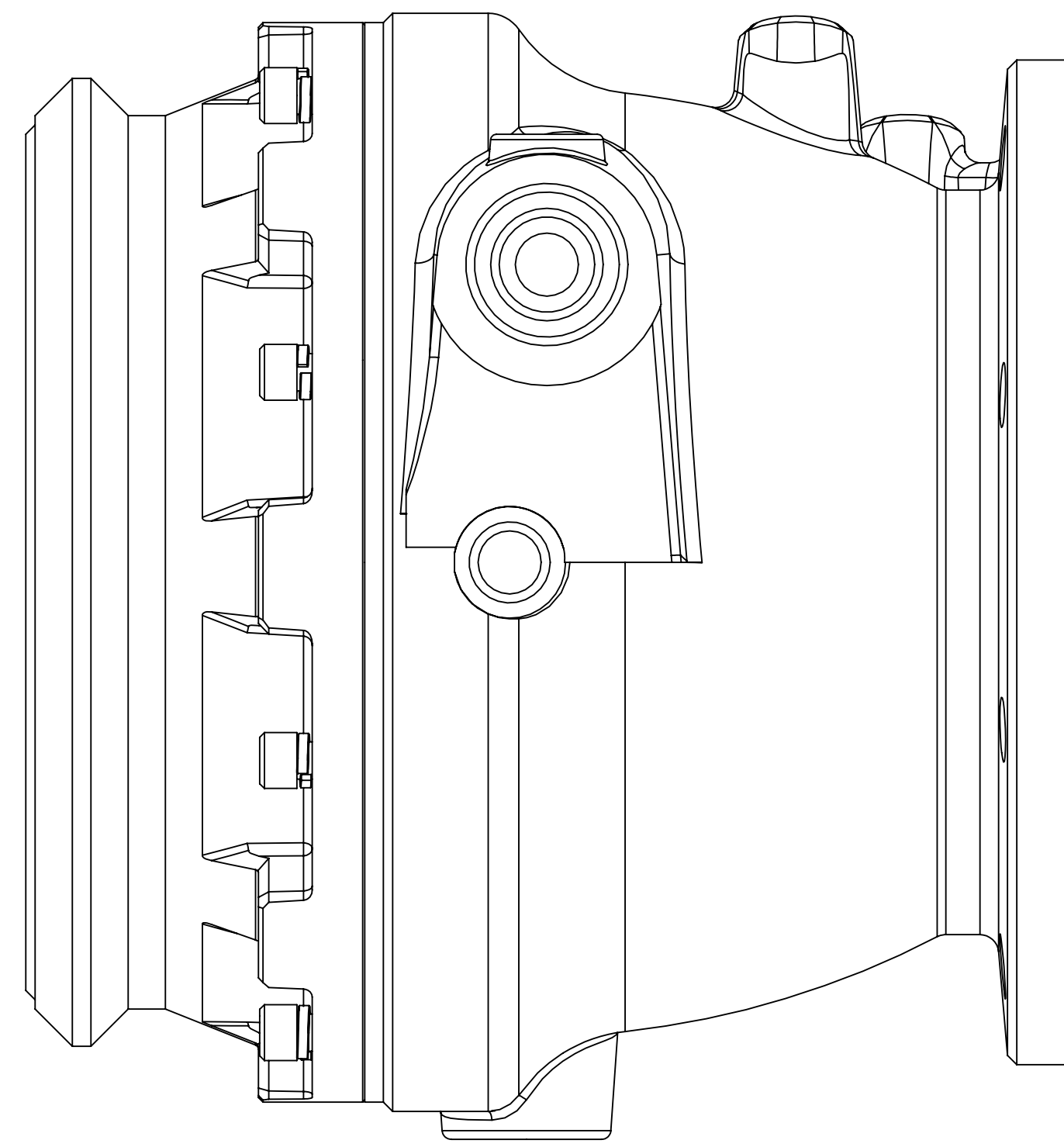
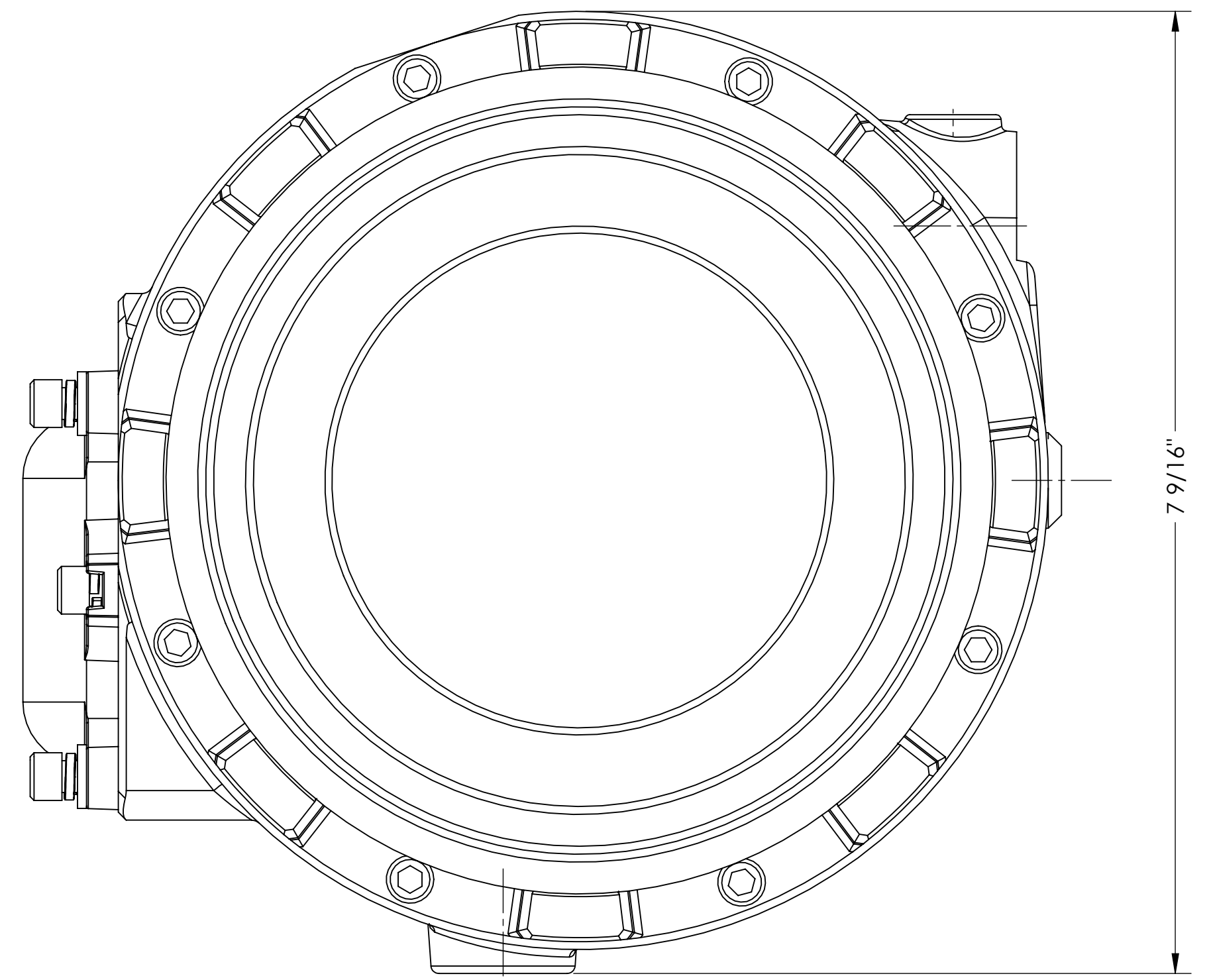
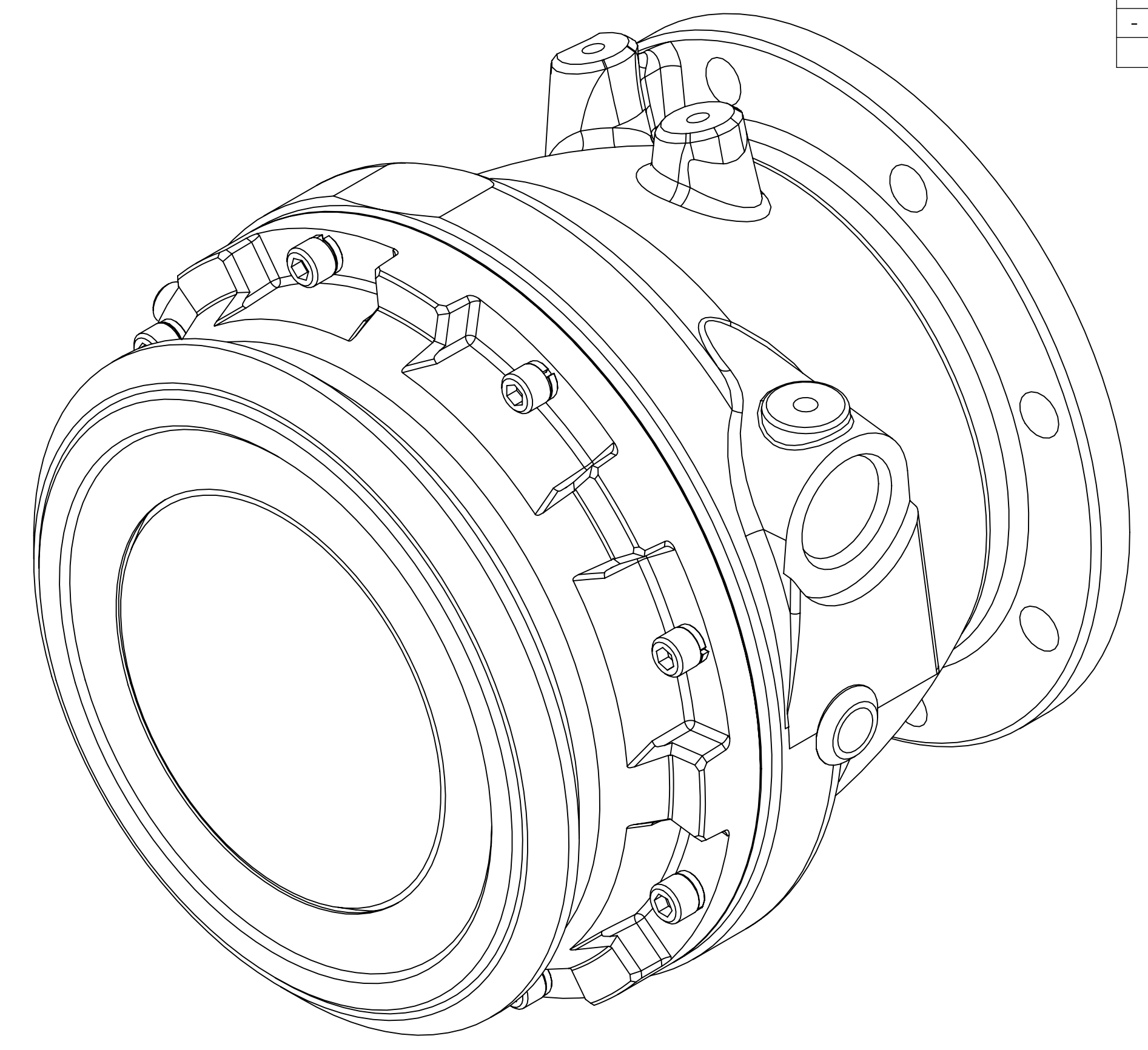
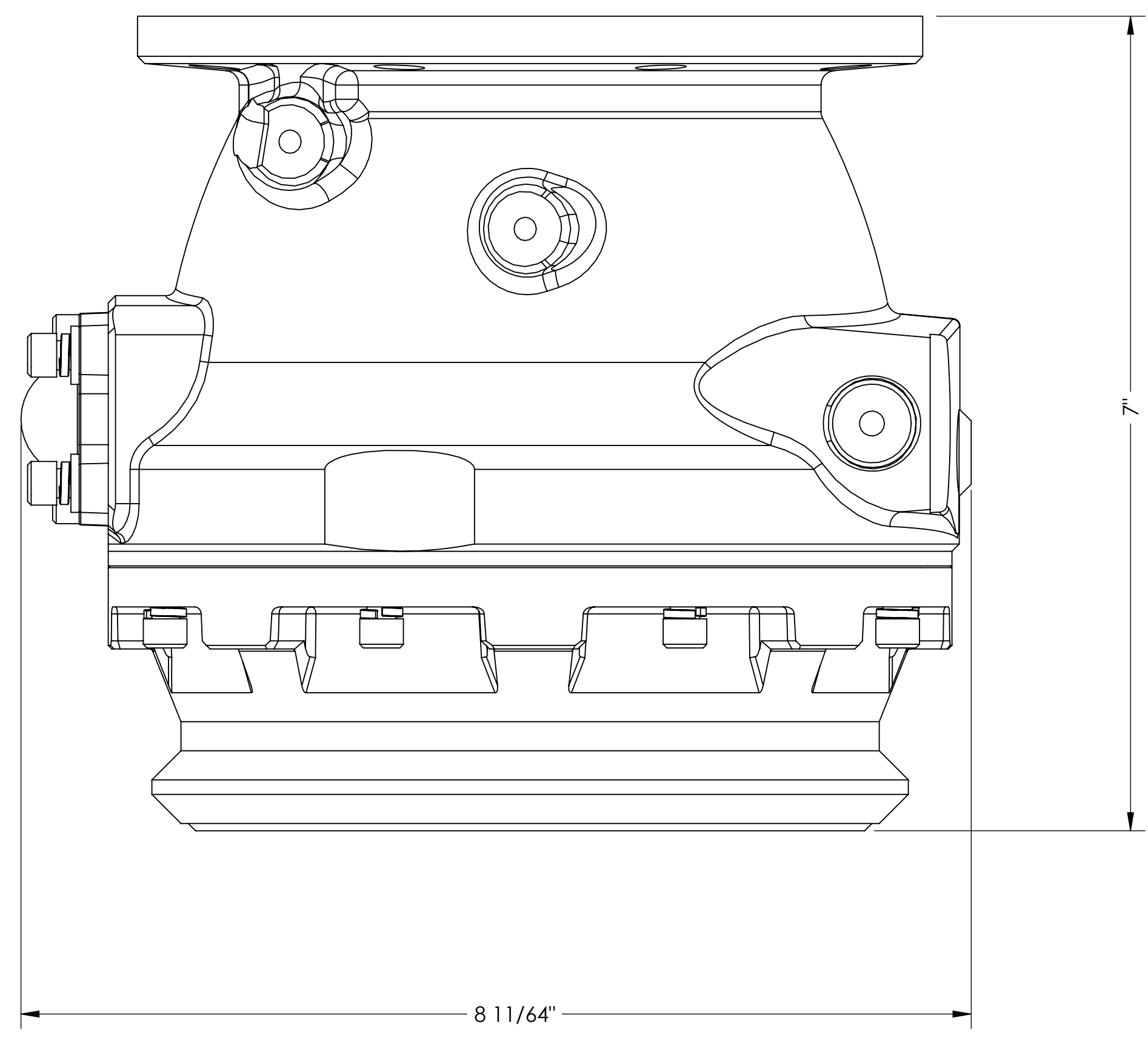


REVISIONS			
REV	DESCRIPTION	DATE	APPROVED
-			



Dixon Bayco USA Cincinnati, Ohio, U.S.A. <small>A DVCC Inc. Company</small>	TITLE 5204L CUSTOMER DRAWING		
	<small>THIS DRAWING IS CONFIDENTIAL PROPERTY OF DIXON BAYCO USA, A DIVISION OF DVCC AND IS SUBJECT TO RETURN ON DEMAND. © COPYRIGHT 2008. DO NOT COPY.</small>		
<small>DIM. TOLERANCES UNLESS SPECIFIED INCHES: X +/- .010 MACHINING FRACTION +/- .012 (SEE LAST PAGE) .XXX +/- .005 SURF FINISH: 125 AA MAX ANGLES: T12</small>	SIZE D	DRAWN BY FAHL	DWG NO. 5204L-CST
	SCALE FULL	DATE 11APR2008	REV 1 OF 1