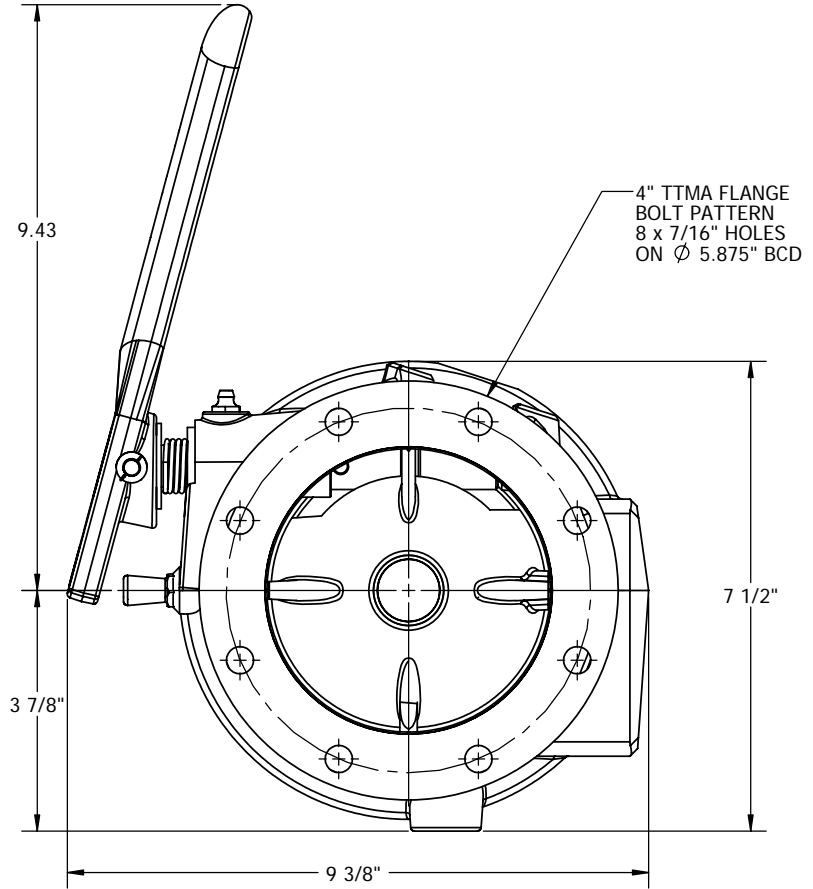
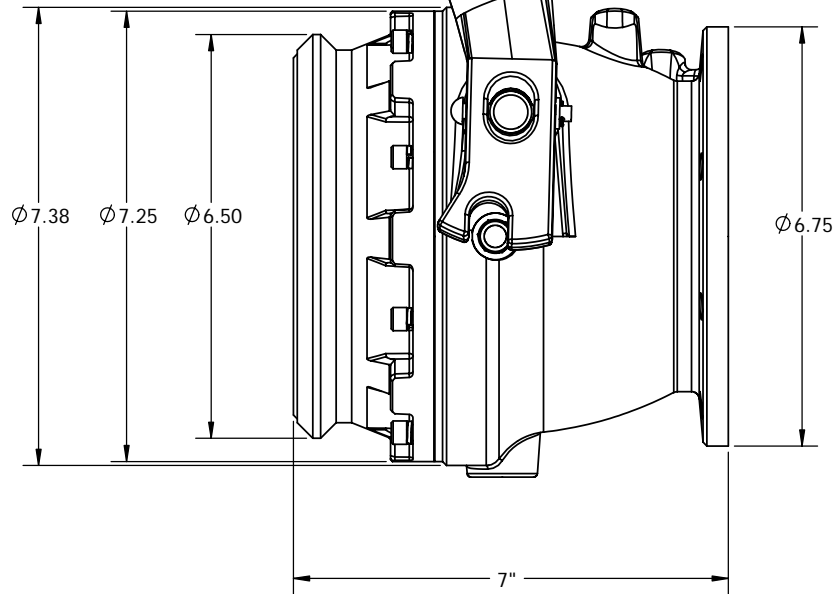
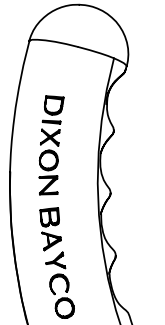
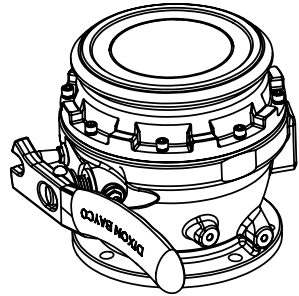


THE INFORMATION CONTAINED IN THIS DRAWING IS THE SOLE PROPERTY OF DIXON BAYCO LIMITED. ANY REPRODUCTION IN PART OR WHOLE WITHOUT THE WRITTEN PERMISSION OF DIXON BAYCO LIMITED IS PROHIBITED.

REVISION TABLE				
REV.	ECO	DESCRIPTION	DATE	APPROVED
**	**	**	**	**



NOTES:
1. ALL SHARP EDGES AND BURRS TO BE REMOVED

DIMENSIONS ARE IN INCHES UNLESS OTHERWISE SPECIFIED
TOLERANCES ARE:
FRACTIONS DECIMALS ANGLES



CAD GENERATED DRAWING. DO NOT MANUALLY UPDATE.
DO NOT SCALE DRAWING

MATERIAL

APPROVALS	DATE
DRAWN BY F.FIDELINO	10/24/06
CHECKED C.MARTENS	10/24/06

DIXON BAYCO LIMITED
2200 LOGAN AVE. WINNIPEG, MB. R2R 0J2
PHONE (204) 633-5650 FAX (204) 633-6119

TITLE
API 5204NG

SIZE B	DWG. NO. 452055-C	REV. 0
ECO		SHEET 1 OF 1