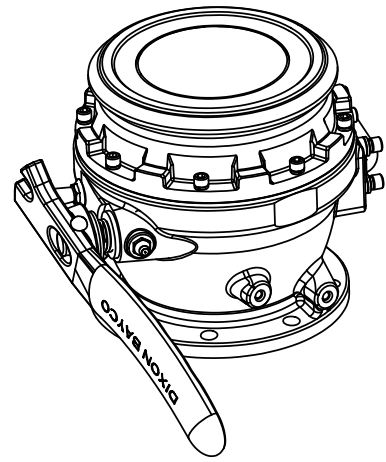
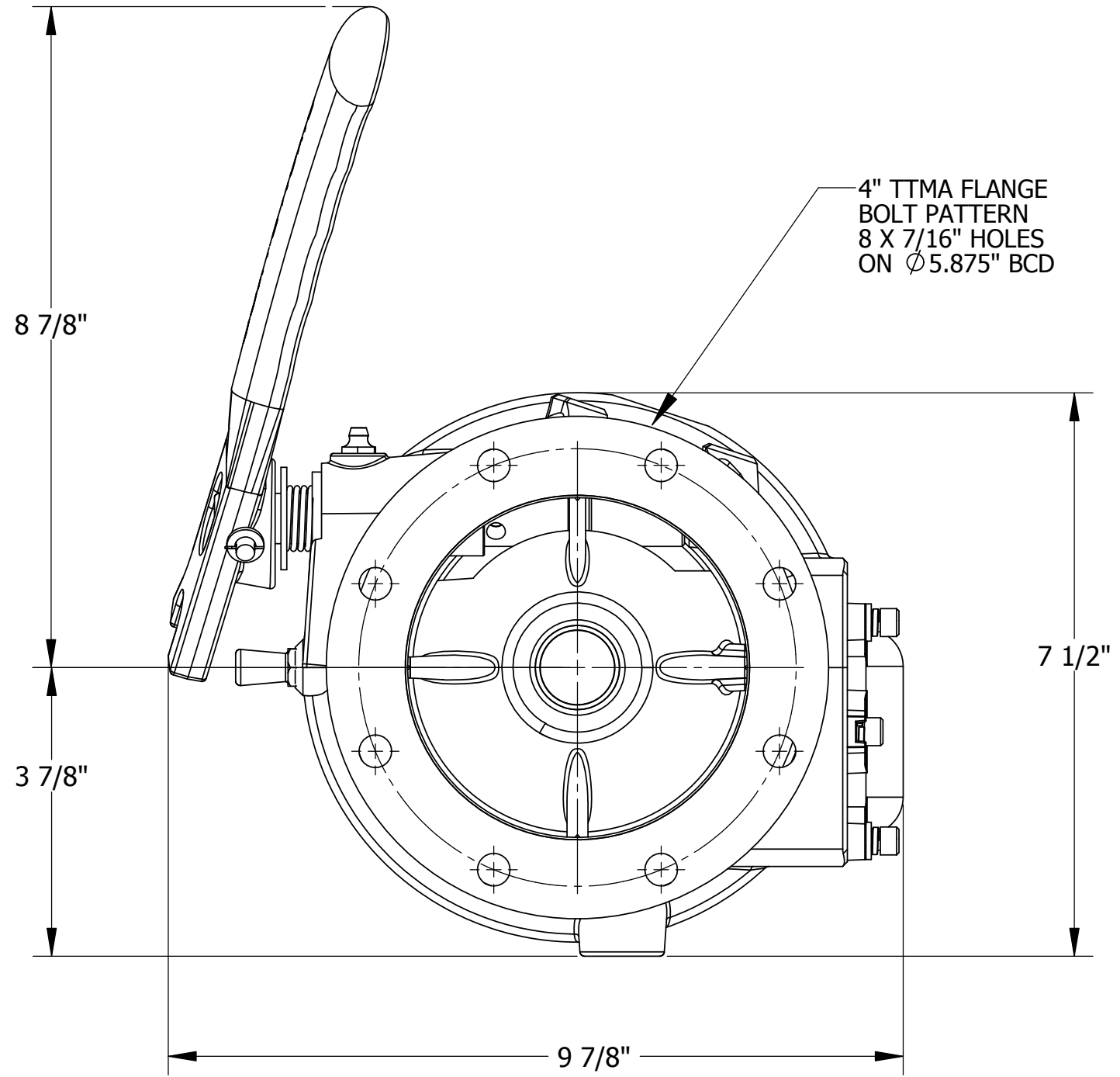
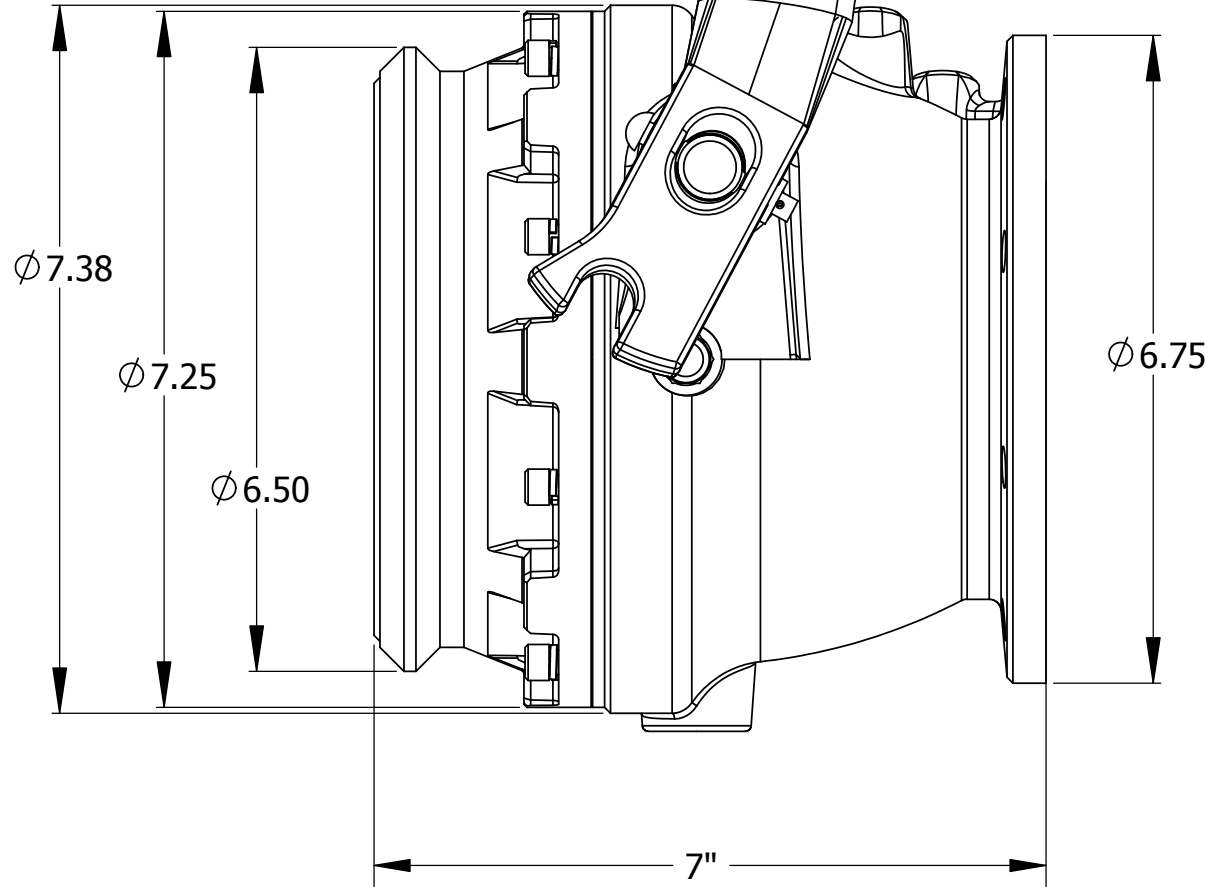


THE INFORMATION CONTAINED IN THIS DRAWING IS THE SOLE PROPERTY OF DIXON BAYCO LIMITED ANY REPRODUCTION IN PART OR WHOLE WITHOUT THE WRITTEN PERMISSION OF DIXON BAYCO LIMITED IS PROHIBITED.

REVISION TABLE				
REV.	ECO	DESCRIPTION	DATE	APPROVED
**	**	**	**	**



DIXON BAYCO



4" TTMA FLANGE  
BOLT PATTERN  
8 X 7/16" HOLES  
ON Ø5.875" BCD

DIMENSIONS ARE IN INCHES UNLESS OTHERWISE SPECIFIED

~~TOLERANCES ARE:~~

~~FRACTIONS DECIMALS ANGLES~~

~~± 1/16 .XX ± .03 ± 1°~~

~~.XXX ± .010~~

MATERIAL	--
FINISH	--



CAD GENERATED DRAWING; DO NOT MANUALLY UPDATE.  
DO NOT SCALE DRAWING

APPROVALS		DATE
DRAWN BY	S.S.	Feb 23/25
CHECKED	C.M.	Feb 23/05

**DIXON BAYCO LIMITED**  
2200 LOGAN AVE. WINNIPEG, MB. R2R 0J2  
PHONE (204) 633-5650 FAX (204) 633-6119

TITLE  
**API 5204**  
Customer Drawing

SIZE	DWG. NO.	REV.
B	<b>451996-C</b>	<b>0</b>

ECO SHEET 1 OF 1