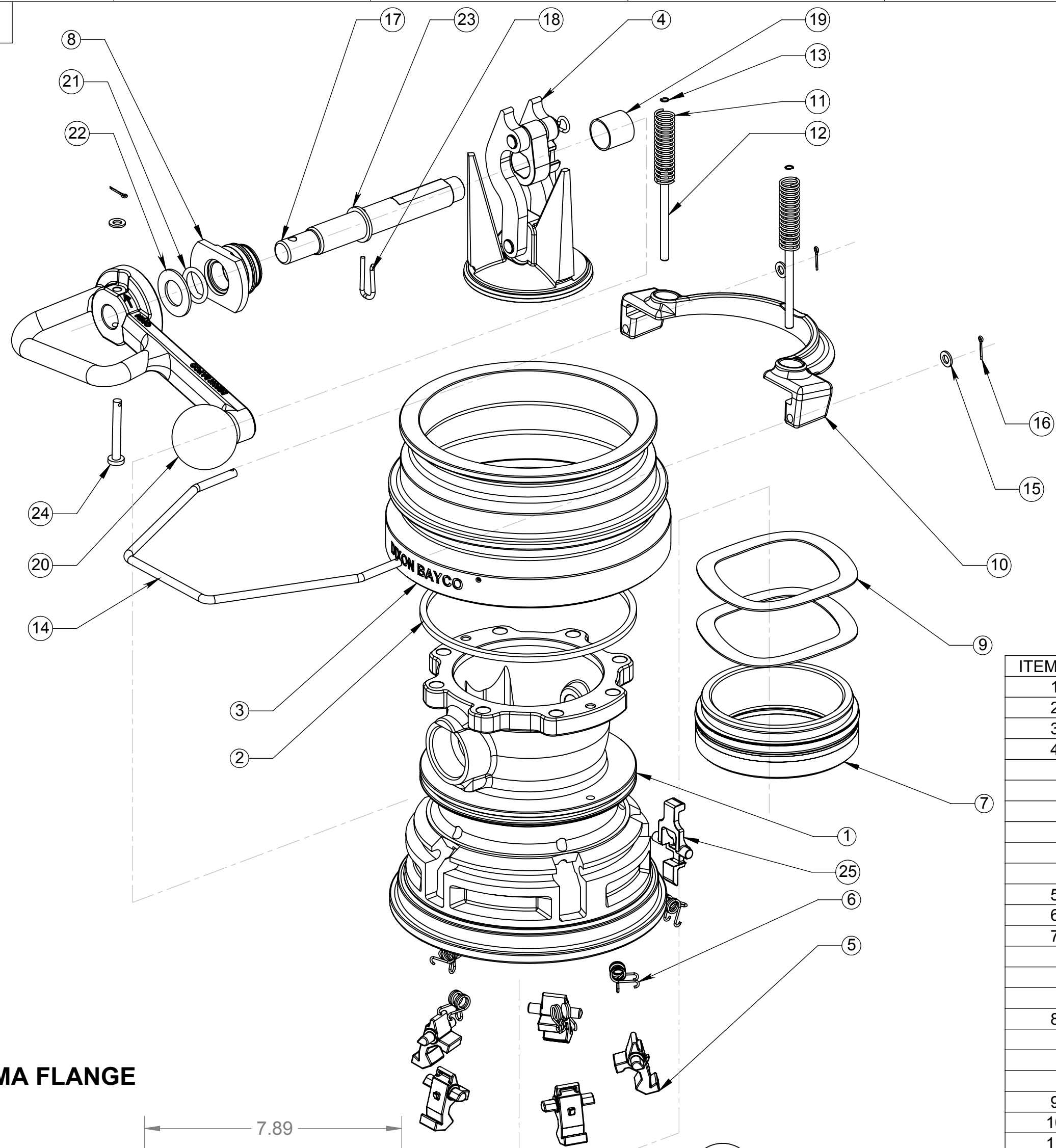
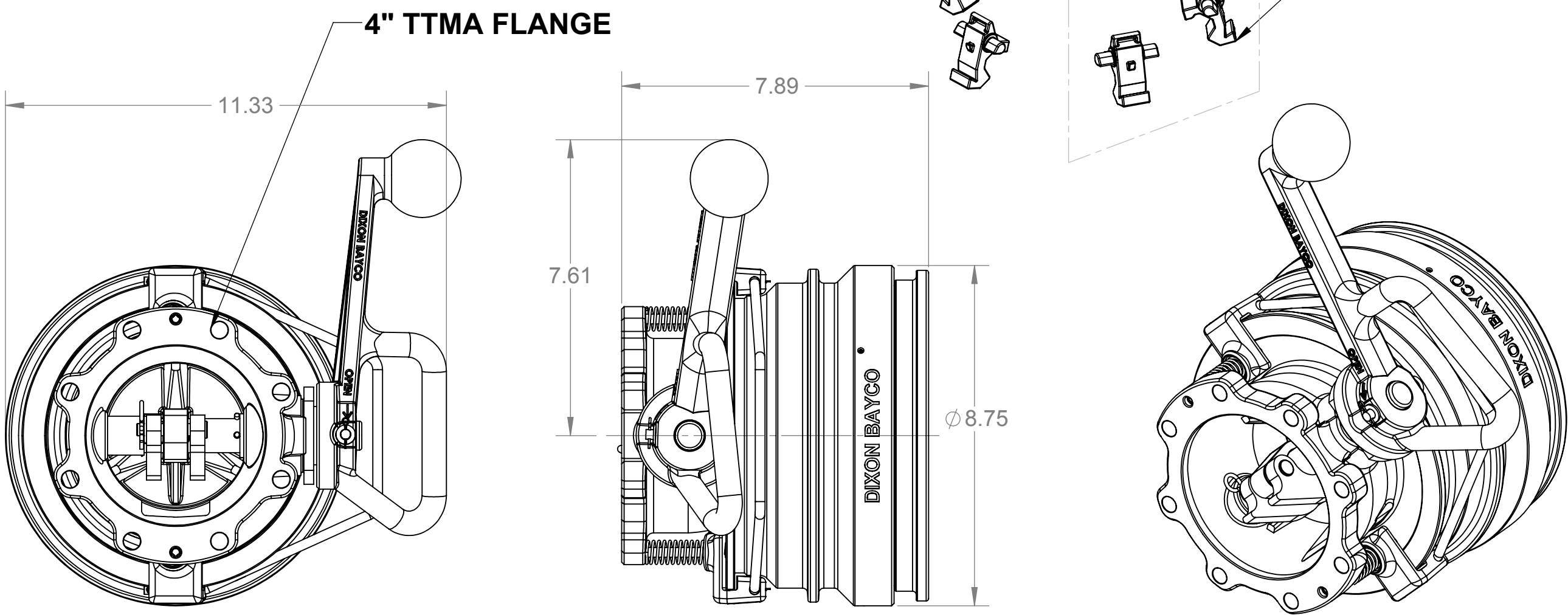


THE INFORMATION CONTAINED IN THIS DRAWING IS THE SOLE PROPERTY OF DIXON BAYCO LIMITED AND ANY REPRODUCTION IN PART OR WHOLE WITHOUT THE WRITTEN PERMISSION OF DIXON BAYCO LIMITED IS PROHIBITED.

REVISION TABLE				
REV.	DESCRIPTION	ECO	DATE	APPROVED



ITEM NO.	PART NUMBER	DESCRIPTION	QTY.
1	341785	BODY	1
2	112173	BODY DUST RING	1
3	400684	SLEEVE ASSEMBLY	1
4	400675	VALVE ASSM	1
	341787	POPPET	1
	112151	BENT LINK	2
	391141	BENT LINK PIN	2
	112158	BENT LINK WASHER	2
	112177	HITCH PIN	2
	112148	DRIVE LINK	1
5	112147	INTERLOCKING CAM	5
6	112149	TORSION SPRING	6
7	400672	NOSE SEAL ASSM VITON B	1
	112174	NOSE PIECE DUST RING	1
	112192	O-RING 2-350, VITON B	1
	400671	BONDED NOSE SEAL, VITON B	1
8	400674	BEARING ASSM, VITON B	1
	341790	BEARING	1
	112193	O-RING 2-220 VITON B	1
	112188	O-RING 2-212 VITON B	1
9	112172	WAVE SPRING WASHER	2
10	341788	BAIL	1
11	112150	BAIL SPRING	2
12	112175	BAIL PIN	2
13	112176	INTERNAL RETAINING RING	2
14	391139	RELEASE	1
15	111562	WASHER	3
16	111563	COTTER PIN	3
17	391140	SHAFT	1
18	112178	SHAFT HITCH PIN	1
19	391142	SPACER	1
20	341789	HANDLE	1
21	112188	O-RING 2-212 VITON B	1
22	112160	SHAFT OUTSIDE WASHER	1
23	112159	SHAFT INSIDE WASHER	1
24	111953	CLEVIS PIN	1
25	112240	LATCH	1



DIMENSIONS ARE IN INCHES UNLESS OTHERWISE SPECIFIED

**DIXON BAYCO LIMITED**  
 2200 LOGAN AVE. WINNIPEG, MB. R2R 0J2  
 PHONE (204) 633-5650 FAX (204) 633-6119

CAD GENERATED DRAWING; DO NOT MANUALLY UPDATE.  
 DO NOT SCALE DRAWING

DONE BY: *L.X.* DATE: Oct 31, 2011  
 APPROVALS: \_\_\_\_\_  
 CHECKED: \_\_\_\_\_

MATERIAL: \_\_\_\_\_

TITLE: **5300B - API RACK COUPLER**

SIZE: C DWG. NO.: 800065 CUSTOMER REV. 1

ECO: \_\_\_\_\_ SHEET 1 OF 1