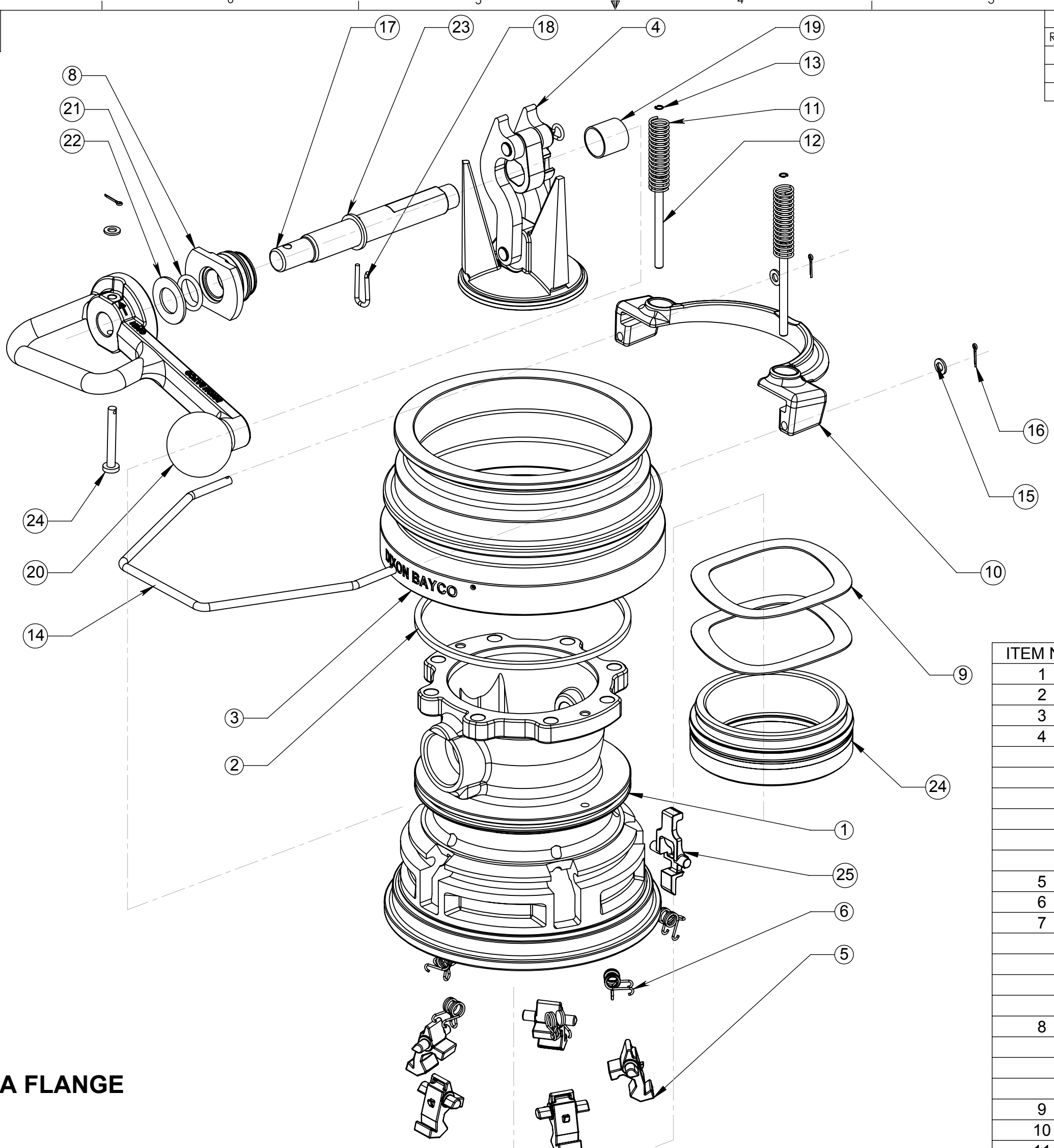


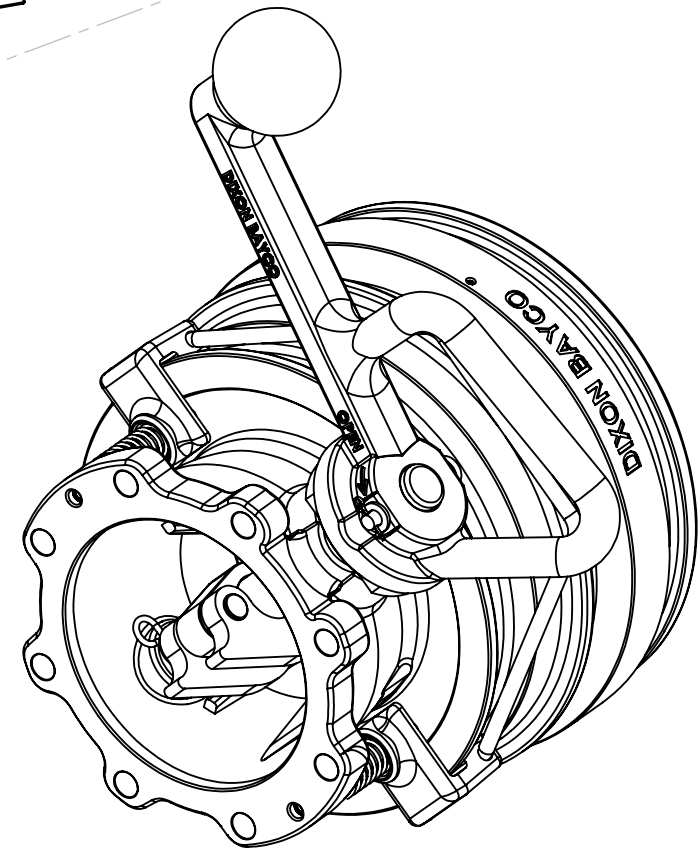
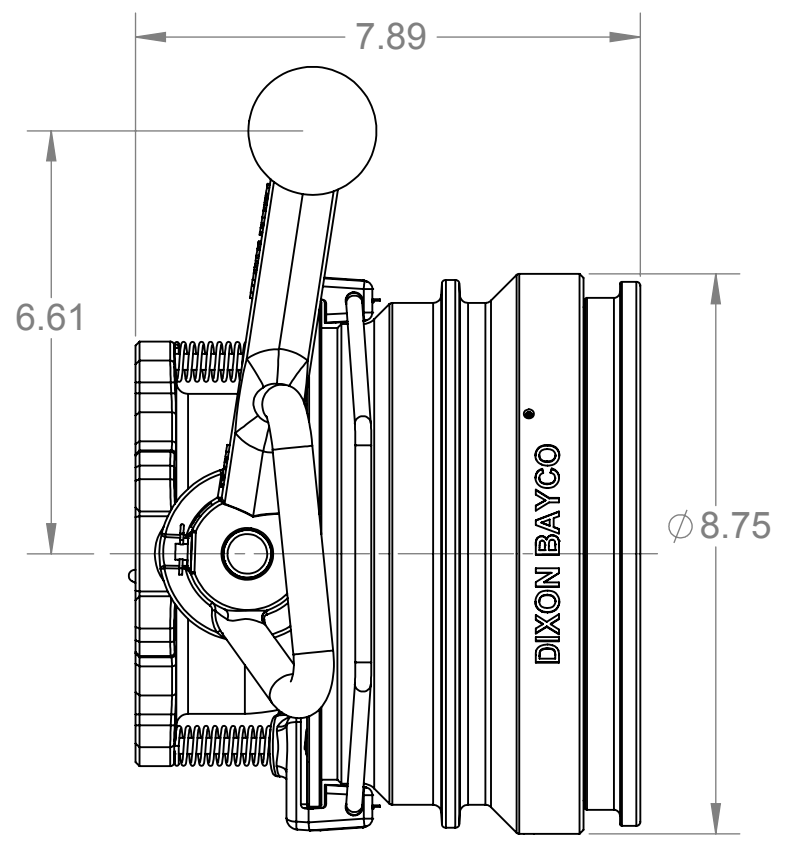
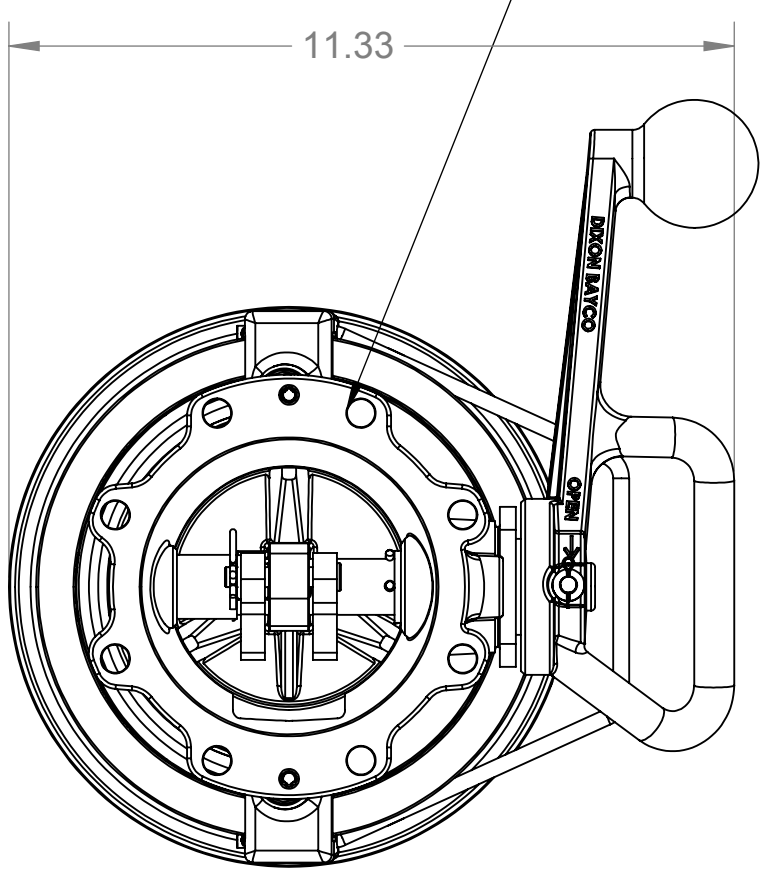
THE INFORMATION CONTAINED IN THIS DRAWING IS THE SOLE PROPERTY OF DIXON BAYCO LIMITED AND ANY REPRODUCTION IN PART OR WHOLE WITHOUT THE WRITTEN PERMISSION OF DIXON BAYCO LIMITED IS PROHIBITED.

REVISION TABLE				
REV.	DESCRIPTION	ECO	DATE	APPROVED



ITEM NO.	PART NUMBER	DESCRIPTION	QTY.
1	341785	BODY	1
2	112173	BODY DUST RING	1
3	400684	SLEEVE ASSEMBLY	1
4	400675	VALVE ASSM	1
	341787	POPPET	1
	112151	BENT LINK	2
	391141	BENT LINK PIN	2
	112158	BENT LINK WASHER	2
	112177	HITCH PIN	2
	112148	DRIVE LINK	1
5	112147	INTERLOCKING CAM	5
6	112149	TORSION SPRING	6
7	400682	NOSE SEAL ASSM BUNA	1
	112174	NOSE PIECE DUST RING	1
	391138	NOSE PIECE	1
	112180	O-RING 2-350, BAYLAST	1
	112184	REPLACEABLE NOSE SEAL BUNA	1
8	400683	BEARING ASSM, BAYLAST	1
	341790	BEARING	1
	112182	O-RING 2-220 BAYLAST	1
	112183	O-RING 2-212 BAYLAST	1
9	112172	WAVE SPRING WASHER	2
10	341788	BAIL	1
11	112150	BAIL SPRING	2
12	112175	BAIL PIN	2
13	112176	INTERNAL RETAINING RING	2
14	391139	RELEASE	1
15	111562	WASHER	3
16	111563	COTTER PIN	3
17	391140	SHAFT	1
18	112178	SHAFT HITCH PIN	1
19	391142	SPACER	1
20	341789	HANDLE	1
21	112183	O-RING 2-212 BAYLAST	1
22	112160	SHAFT OUTSIDE WASHER	1
23	112159	SHAFT INSIDE WASHER	1
24	111953	CLEVIS PIN	1
25	112240	LATCH	1

4" TTMA FLANGE



DIMENSIONS ARE IN INCHES UNLESS OTHERWISE SPECIFIED

		DIXON BAYCO LIMITED 2200 LOGAN AVE. WINNIPEG, MB. R2R 0J2 PHONE (204) 633-5650 FAX (204) 633-6119	
CAD GENERATED DRAWING; DO NOT MANUALLY UPDATE. DO NOT SCALE DRAWING		TITLE 5400 - API RACK COUPLER	
APPROVALS DONE BY: <i>L.A.</i> DATE: AUG 5 2008 CHECKED: <i>MM</i> XXX		SIZE DWG. NO. REV. C 800067 CUSTOMER 1	
MATERIAL		ECO:	

SHEET 1 OF 1