

THE INFORMATION CONTAINED IN THIS DRAWING IS THE SOLE PROPERTY OF DIXON BAYCO LIMITED ANY REPRODUCTION IN PART OR WHOLE WITHOUT THE WRITTEN PERMISSION OF DIXON BAYCO LIMITED IS PROHIBITED.

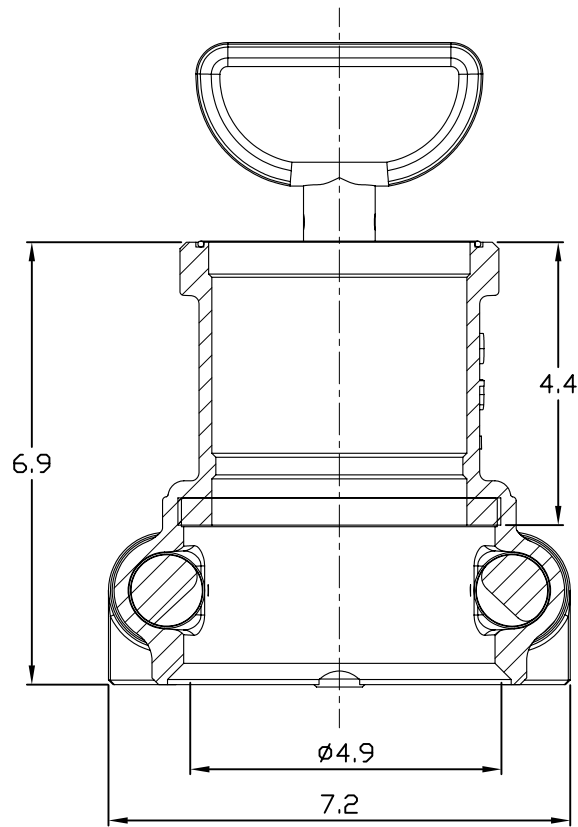
REVISION TABLE				
REV.	ECO	DESCRIPTION	DATE	APPROVED

D

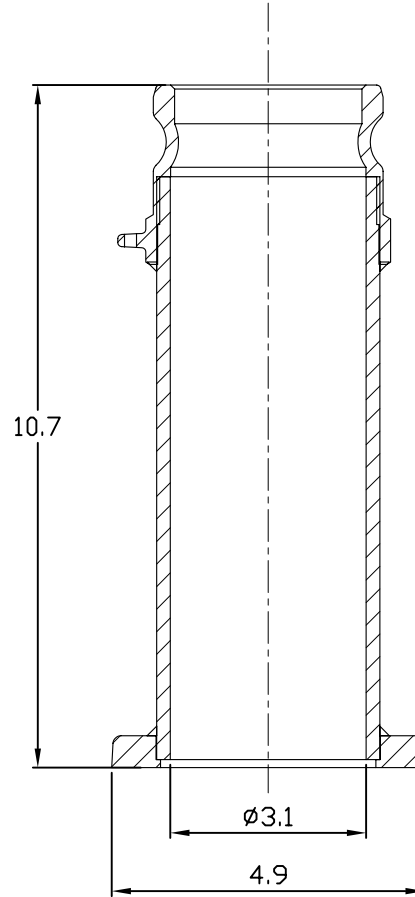
C

B

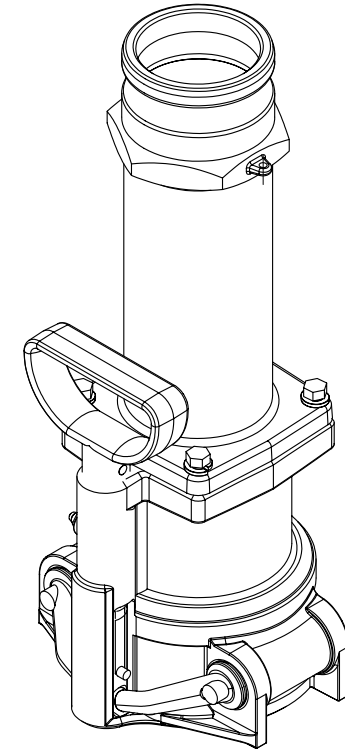
A



SECTION D-D  
SCALE 1 : 2



SECTION E-E  
SCALE 1 : 2



DIMENSIONS ARE IN INCHES UNLESS OTHERWISE SPECIFIED		DIXON BAYCO LIMITED	
TOLERANCES ARE:		2200 LOGAN AVE. WINNIPEG, MB. R2R 0J2	
FRACTIONS DECIMALS ANGLES		PHONE (204) 633-5650 FAX (204) 633-6119	
CAD GENERATED DRAWING; DO NOT MANUALLY UPDATE.		TITLE	
DO NOT SCALE DRAWING		6303	
MATERIAL ---	APPROVALS	DATE	Straight Drop Fitting w/ 3' Adapter
FINISH ---	DRAWN BY F. Fidelino	Aug. 12/08	
CHECKED H. Roche		Aug. 12/08	SIZE DWG. NO. B 451221 Customer Drawing
			REV. 0
			SHEET 1 OF 1

D

C

B

A