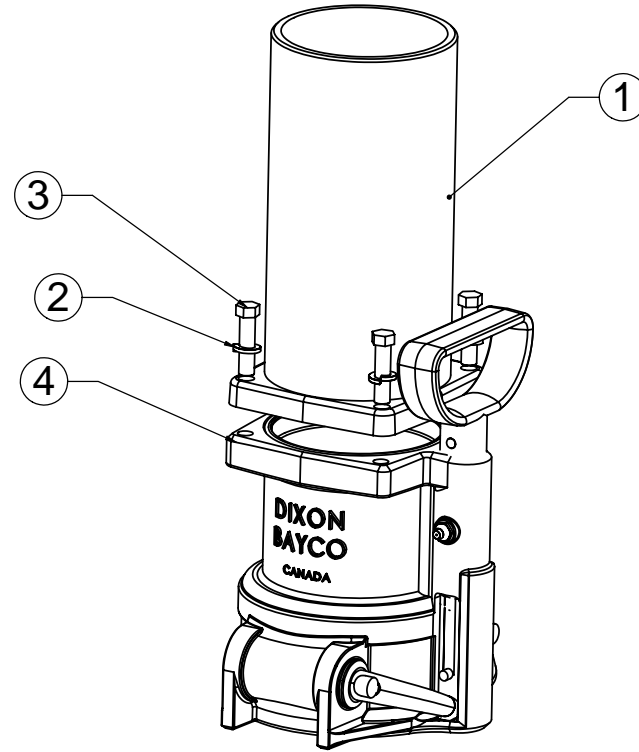
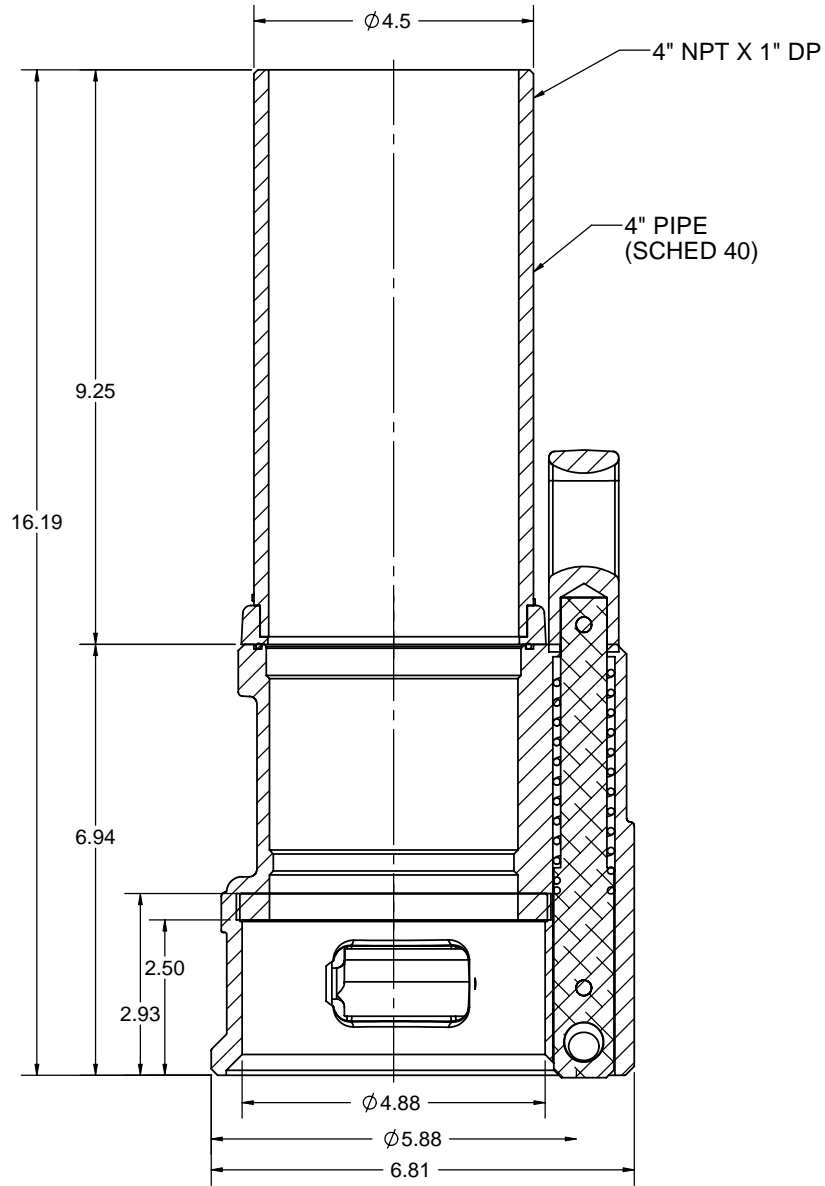


THE INFORMATION CONTAINED IN THIS DRAWING IS THE SOLE PROPERTY OF DIXON-BAYCO INC. ANY REPRODUCTION IN PART OR WHOLE WITHOUT THE WRITTEN PERMISSION OF DIXON BAYCO IS PROHIBITED.

REVISION TABLE				
REV.	ECO	DESCRIPTION	DATE	APPROVED



ITEM NO.	DESCRIPTION	QTY.
1	Flange and Pipe 4" NPT	1
2	WASHER SS LOCK .375	4
3	SCREW SS .375-16 X 1.500	4
4	BOTTOM END ASSEMBLY	1

DIMENSIONS ARE IN INCHES UNLESS OTHERWISE SPECIFIED
TOLERANCES ARE:
FRACTIONS DECIMALS ANGLES



CAD GENERATED DRAWING; DO NOT MANUALLY UPDATE
DO NOT SCALE DRAWING

MATERIAL	--	APPROVALS	DATE
FINISH	--	DRAWN BY <i>F. Fidelino</i>	Jan 25/10
		CHECKED BY <i>R. Fahl</i>	Jan 25/10
		APPROVED:	

DIXON BAYCO LIMITED
2200 LOGAN AVE. WINNIPEG, MB. R2R 0J2
PHONE (204) 633-5650 FAX (204) 633-6119

TITLE Drop Elbow with 4" NPT		SIZE	DWG. NO.	REV.
		B	6304NPT	0
		ECO	(CUSTOMER DRAWING)	SHEET 1 OF 1