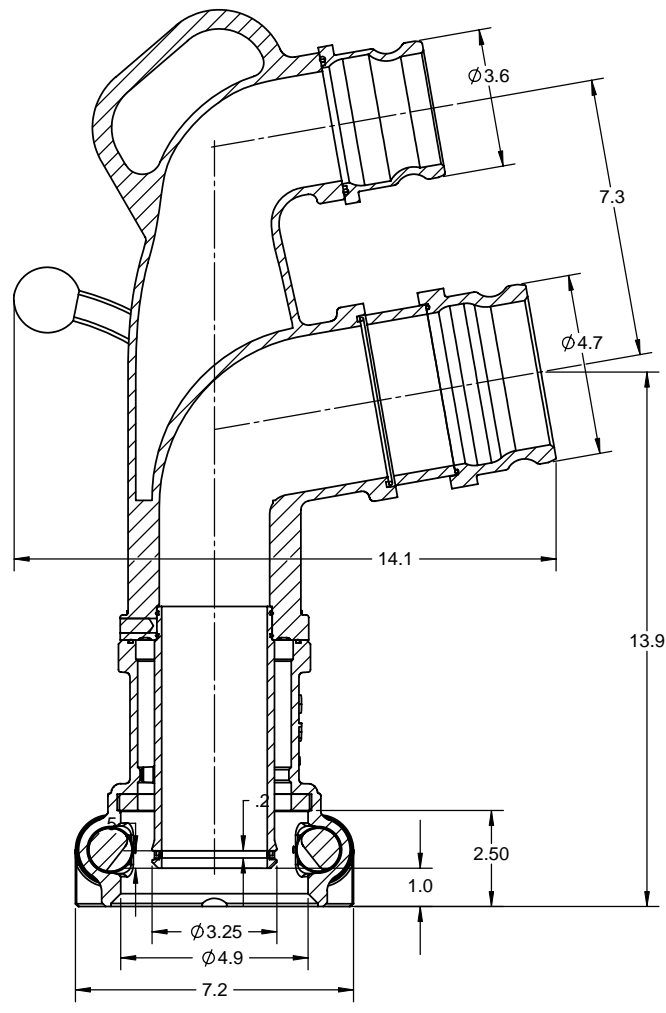
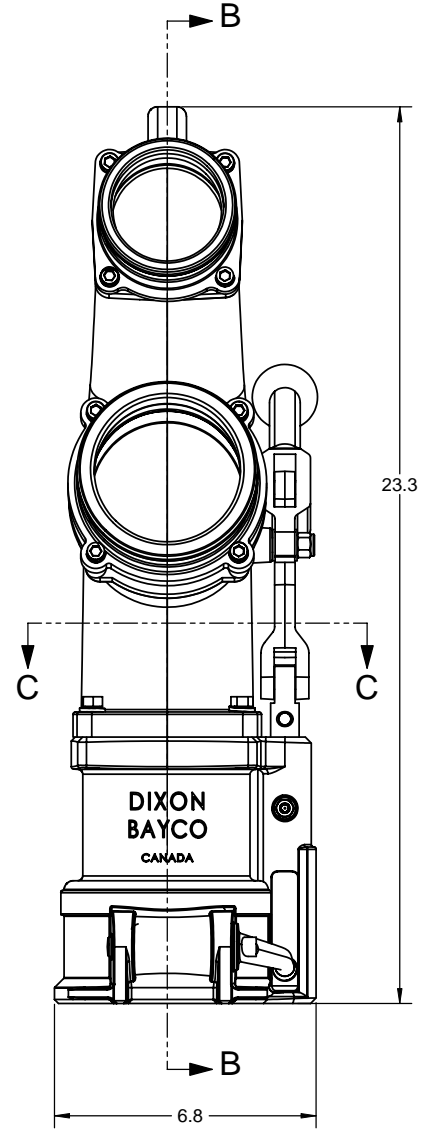
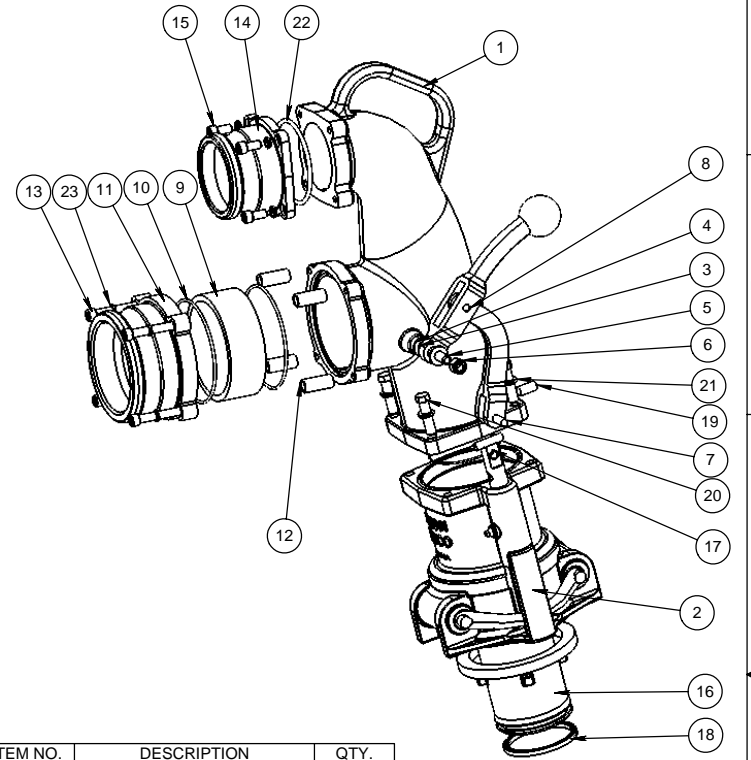


THE INFORMATION CONTAINED IN THIS DRAWING IS THE SOLE PROPERTY OF DIXON BAYCO LIMITED AND ANY REPRODUCTION IN PART OR WHOLE WITHOUT THE WRITTEN PERMISSION OF DIXON BAYCO LIMITED IS PROHIBITED.

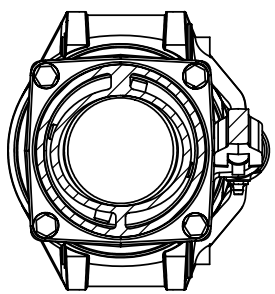
REVISION TABLE				
REV	DESCRIPTION	ECO	DATE	APPROVED
**		**	**	**



SECTION B-B
SCALE 1 : 2.5



ITEM NO.	DESCRIPTION	QTY.
1	Elbow Co-axial	1
2	BOTTOM END ASSEMBLY	1
3	BUSHING .5"X.563 NYLON	1
4	WASHER .812 X .406 X .062 NYLON	2
5	STUD SS	1
6	NUT HEX STL LOCK .375-16	1
7	PIN STL COIL .312X1.250	1
8	LEVER ASSEMBLY	1
9	Sight Glass	1
10	O-RING 3.750X.093 BUNA-N	2
11	ADAPTER 4"	1
12	Spacer	4
13	Screw	4
14	ADAPTER 3"	1
15	Screw	4
16	Centre Tube, Regular	1
17	O-Ring 2.75 x .062 Buna N	2
18	U-cup	1
19	Set Screw 3/8NC x 3/4"	1
20	SCREW SS .375-16 X 1.500	4
21	WASHER SS LOCK .375	4
22	O-RING BUNA, # 236	1
23	Lock Washer	8



SECTION C-C
SCALE 1 : 2.5

CUSTOMER DRAWING

NOTES:
1. ALL SHARP EDGES AND BURRS TO BE REMOVED

DIMENSIONS ARE IN INCHES UNLESS OTHERWISE SPECIFIED TOLERANCES ARE: FRACTIONS DECIMALS ANGLES ± 1/16 XXX ± .03 ± 1° XXX ± .010				DIXON GROUP CANADA LIMITED 2200 LOGAN AVE. WINNIPEG, MB. R2R 0J2 PHONE (204) 633-5650 FAX (204) 633-6119	
MATERIAL		CAD GENERATED DRAWING - DO NOT MANUALLY UPDATE DO NOT SCALE DRAWING APPROVALS: _____ DATE: _____ DONE BY: F. Fidelino Nov 18/09 CHECKED: R. Fahl Nov 18/09		TITLE: ELBOW CO-AXIAL 4 x 3 MALE DWG. NO: 451508 ECO: 0	