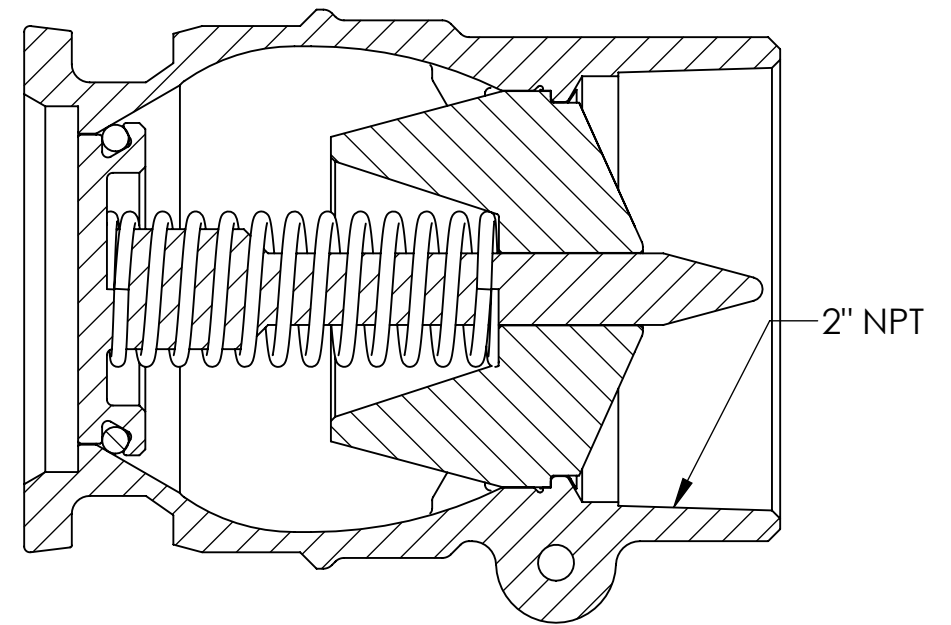
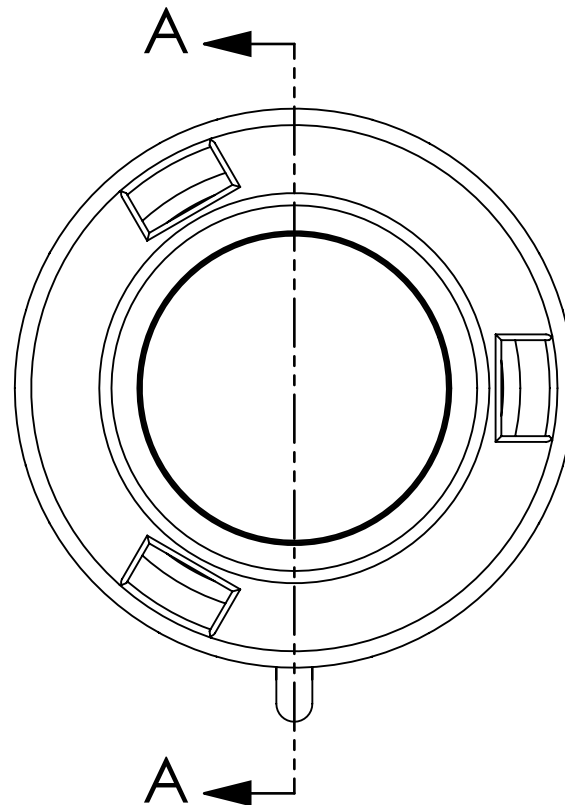
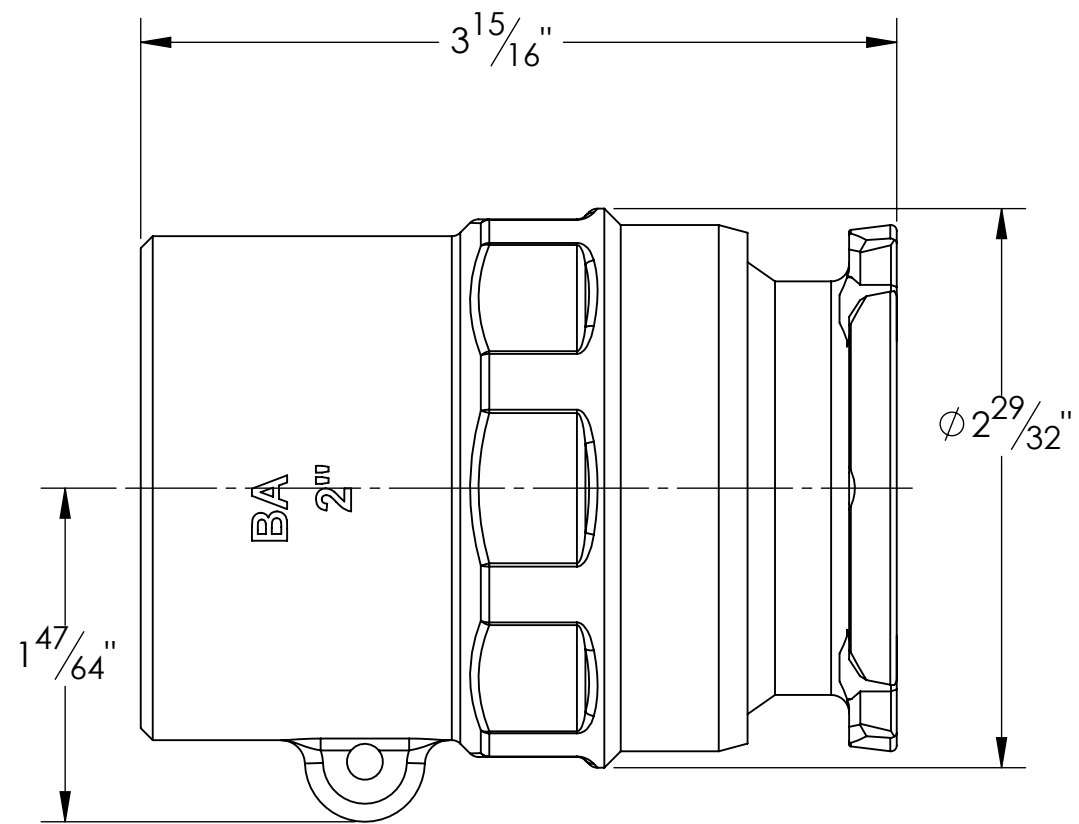


REVISIONS			
REV	DESCRIPTION	DATE	APPROVED



SECTION A-A

Dixon Bayco USA		TITLE	
Cincinnati, Ohio, U.S.A. A DVCC Inc. Company		BA3X-2" SERIES BAYONET ADAPTER ASSEMBLY	
THIS DRAWING IS CONFIDENTIAL PROPERTY OF DIXON BAYCO USA, A DIVISION OF DVCC AND IS SUBJECT TO RETURN ON DEMAND. © COPYRIGHT 2000 DO NOT COPY.			
DIM. TOLERANCES UNLESS SPECIFIED			
INCHES .X +/- .050	MACHINE FRACTION +/- 1/64	SIZE B	DRAWN BY FAHL
.XX +/- .010	ROUGH CASTING +/- 1/32	DWG NO. BA3X-200-CST	REV -
.XXX +/- .005	SURF. FINISH 125 AA MAX ANGLES ±1/2°	SCALE FULL	DATE 04JUN2007
		SHEET 1 OF 1	