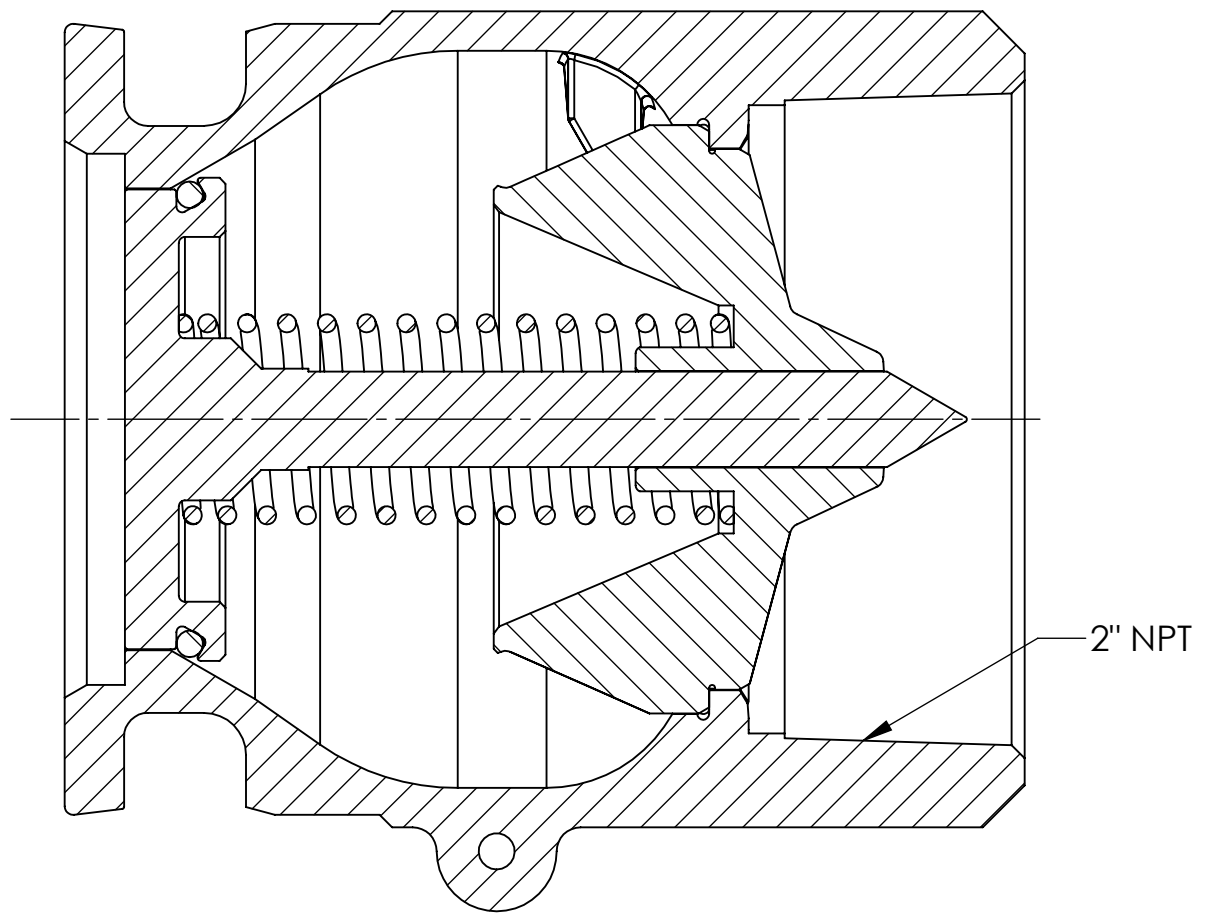
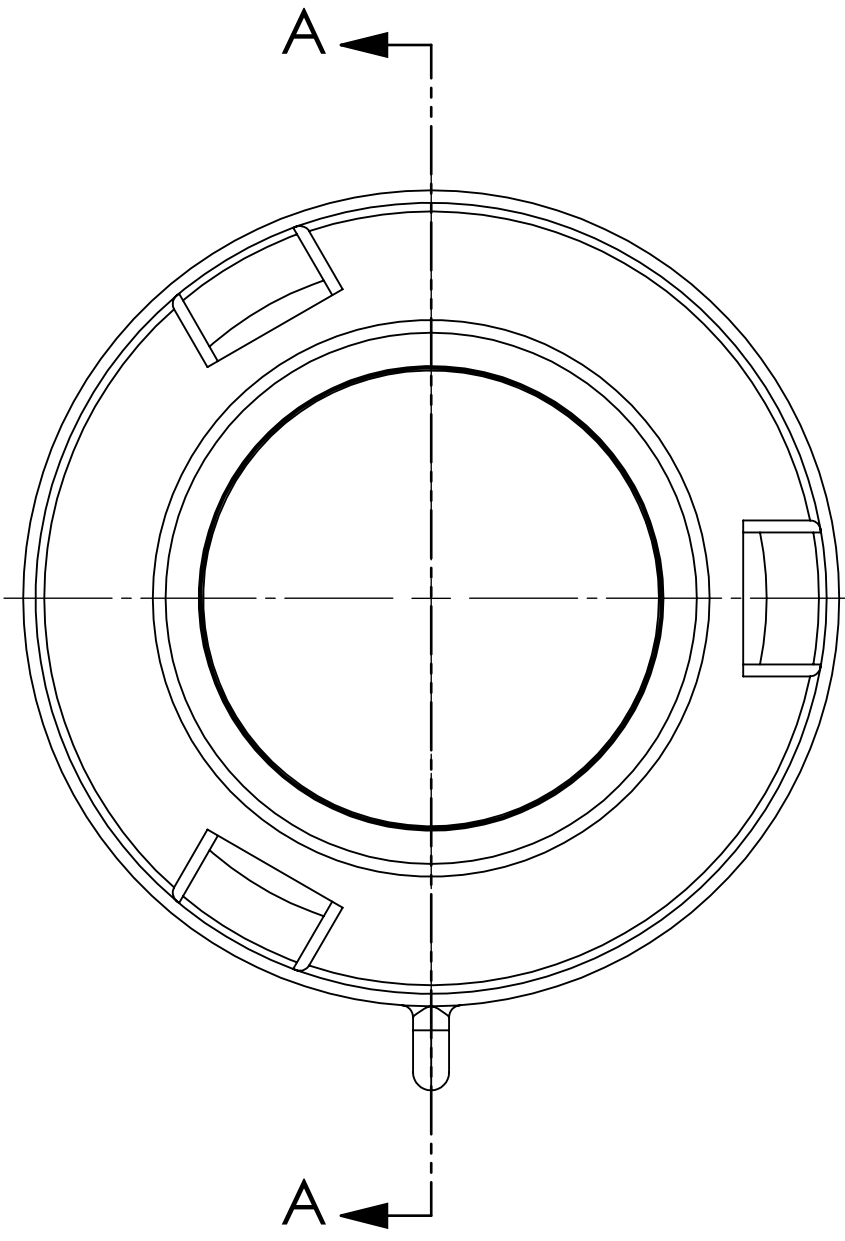
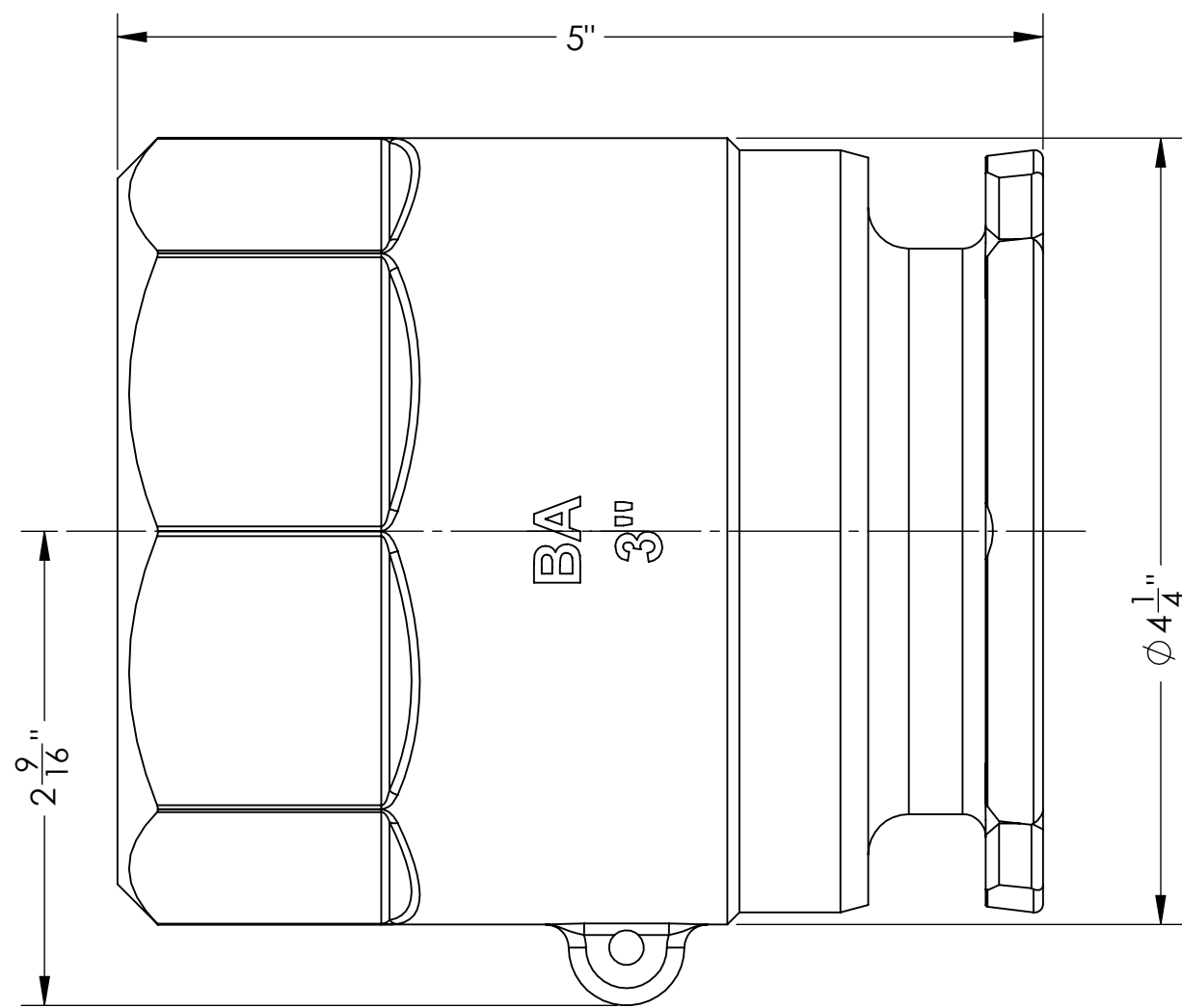


REVISIONS			
REV	DESCRIPTION	DATE	APPROVED



SECTION A-A
SCALE 1 : 1

Dixon Bayco USA Cincinnati, Ohio, U.S.A A DVCC Inc. Company		TITLE BA3X-300 & BA6X-300 CUSTOMER DRAWING	
THIS DRAWING IS CONFIDENTIAL PROPERTY OF DIXON BAYCO USA, A DIVISION OF DVCC AND IS SUBJECT TO RETURN ON DEMAND. © COPYRIGHT 2000 DO NOT COPY.		SIZE C	DRAWN BY FAHL
DIM. TOLERANCES UNLESS SPECIFIED INCHES .X +/- .050 MACHINE FRACTION +/- 1/64 .XX +/- .010 ROUGH CASTING +/- 1/32 .XXX +/- .005 SURF. FINISH 125 AA MAX ANGLES +/- 1/2		DWG NO. BAXX-300	REV
SCALE FULL		DATE 10AUG2011	SHEET 1 OF 1