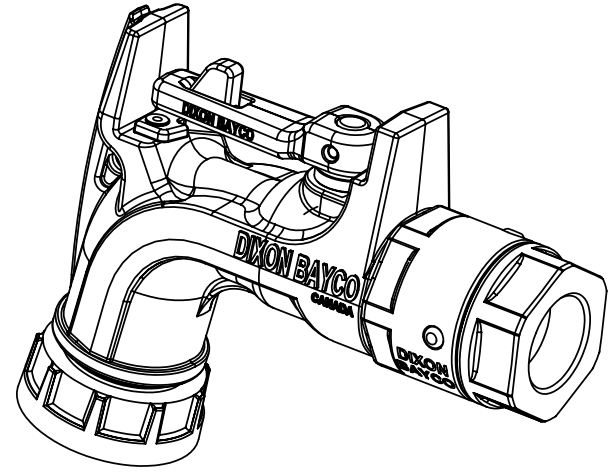
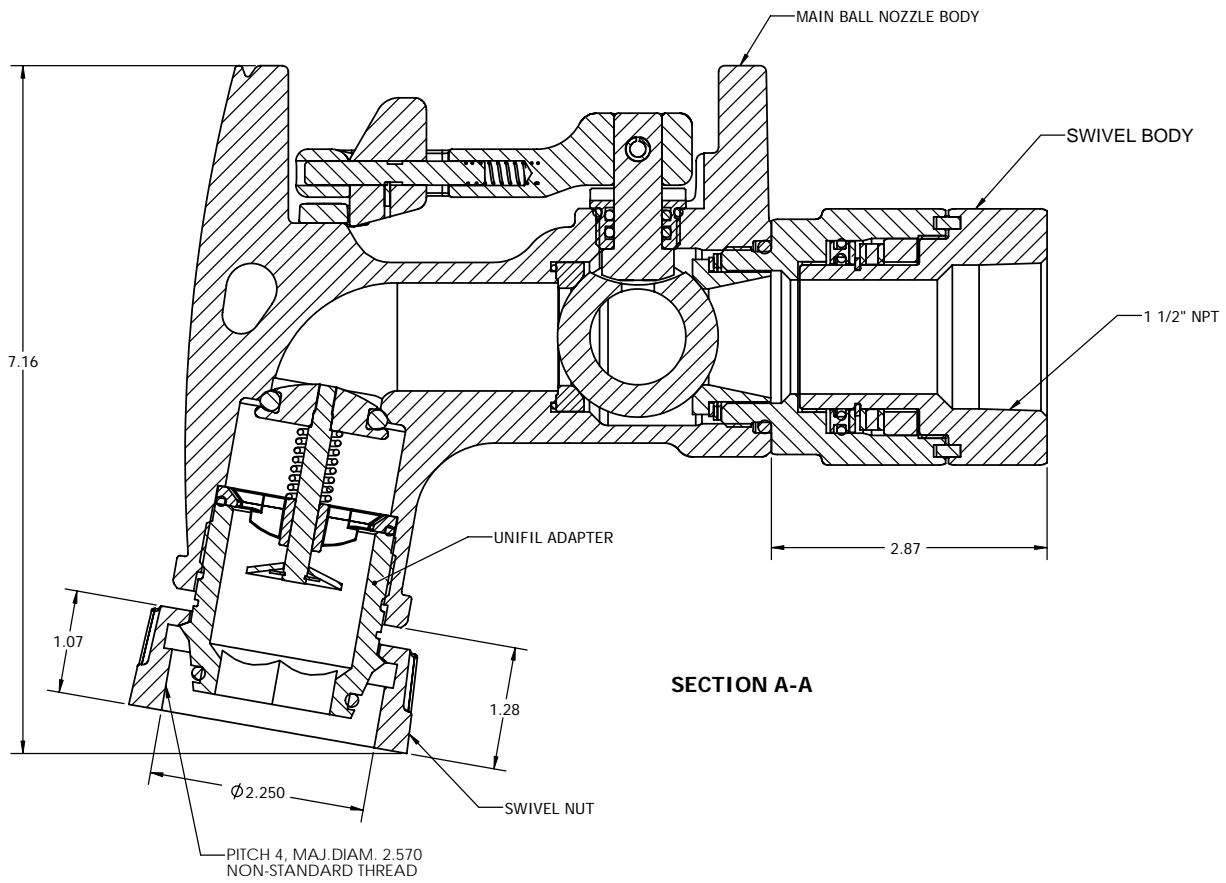
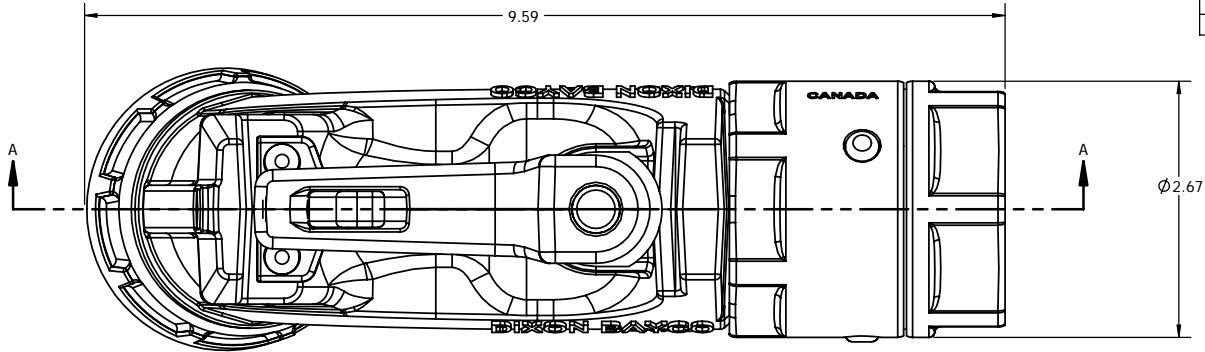


THE INFORMATION CONTAINED IN THIS DRAWING IS THE SOLE PROPERTY OF DIXON BAYCO LIMITED AND ANY REPRODUCTION IN PART OR WHOLE WITHOUT THE WRITTEN PERMISSION OF DIXON BAYCO LIMITED IS PROHIBITED.

REVISION TABLE				
REV.	ECO	DESCRIPTION	DATE	APPROVED



DIMENSIONS ARE IN INCHES UNLESS OTHERWISE SPECIFIED TOLERANCES ARE: FRACTIONS DECIMALS ANGLES			DIXON BAYCO LIMITED 2200 LOGAN AVE. WINNIPEG, MB. R2R 0J2 PHONE (204) 633-5650 FAX (204) 633-6119	
	CAD GENERATED DRAWING. DO NOT MANUALLY UPDATE. DO NOT SCALE DRAWINGS.			
MATERIAL	DONE BY F. Fidelino	APPROVALS [Signature]	DATE Jan 28/09	TITLE BL064 - BALL NOZZLE 1-1/4" NPT x Swivel Nut Adpt
	CHECKED BY R. Fahf	DATE Jan 28/09	Dwg. NO. 452133	CUSTOMER DRAWING [Signature]

ECO 1