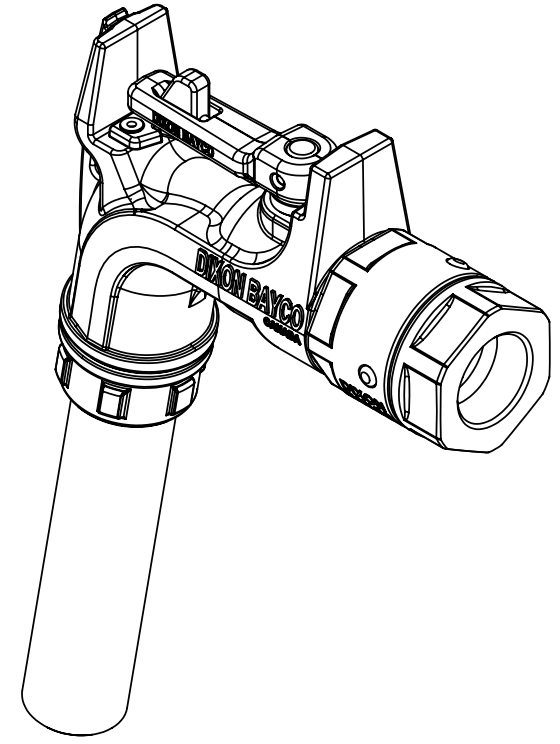
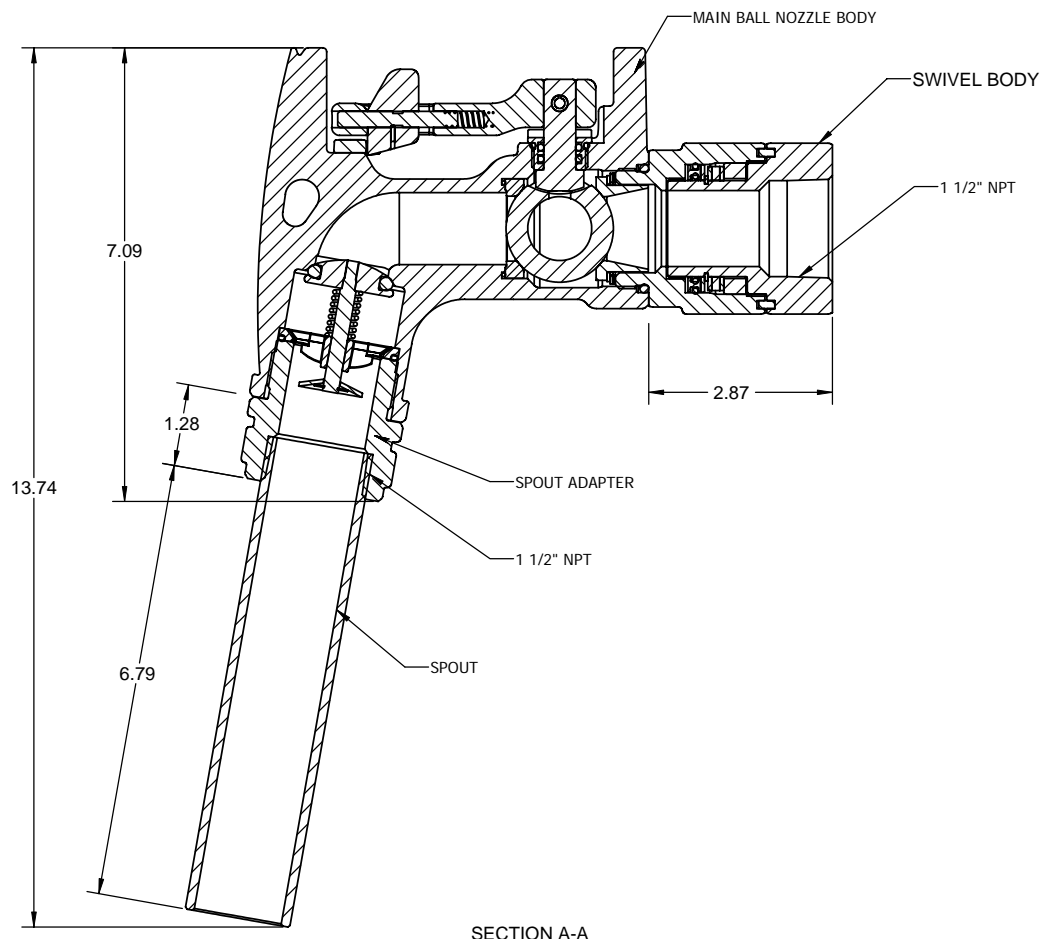
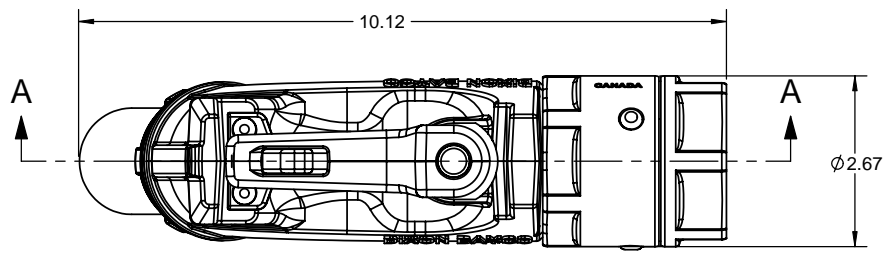


THE INFORMATION CONTAINED IN THIS DRAWING IS THE SOLE PROPERTY OF DIXON BAYCO LIMITED AND ANY REPRODUCTION IN PART OR WHOLE WITHOUT THE WRITTEN PERMISSION OF DIXON BAYCO LIMITED IS PROHIBITED.

REVISION TABLE				
REV.	ECO	DESCRIPTION	DATE	APPROVED



SECTION A-A

DIMENSIONS ARE IN INCHES UNLESS OTHERWISE SPECIFIED TOLERANCES ARE: FRACTIONS DECIMALS ANGLES	<b>DIXON BAYCO</b>		<b>DIXON BAYCO LIMITED</b> 2200 LOGAN AVE. WINNIPEG, MB. R2R 0J2 PHONE (204) 633-5650 FAX (204) 633-6119	
	CAD GENERATED DRAWING. DO NOT MANUALLY UPDATE DO NOT SCALE DRAWINGS		TITLE <b>BL072 - BALL NOZZLE</b> <b>1-1/2"NPT x 1-1/2" SPOUT</b>	
MATERIAL	DATE	APPROVALS	DATE	DATE
	DOE BY <b>F. FIDELINO</b>	<b>JAN 28/09</b>	<b>JAN 28/09</b>	<b>JAN 28/09</b>
	CHECKED BY <b>R. FAHL</b>	<b>JAN 28/09</b>		
	ECO	REV. NO.	REV. NO.	REV. NO.
		<b>C 452136</b>	<b>CUSTOMER DRAWING</b>	<b>0</b>
		SHEET 1 OF 1		