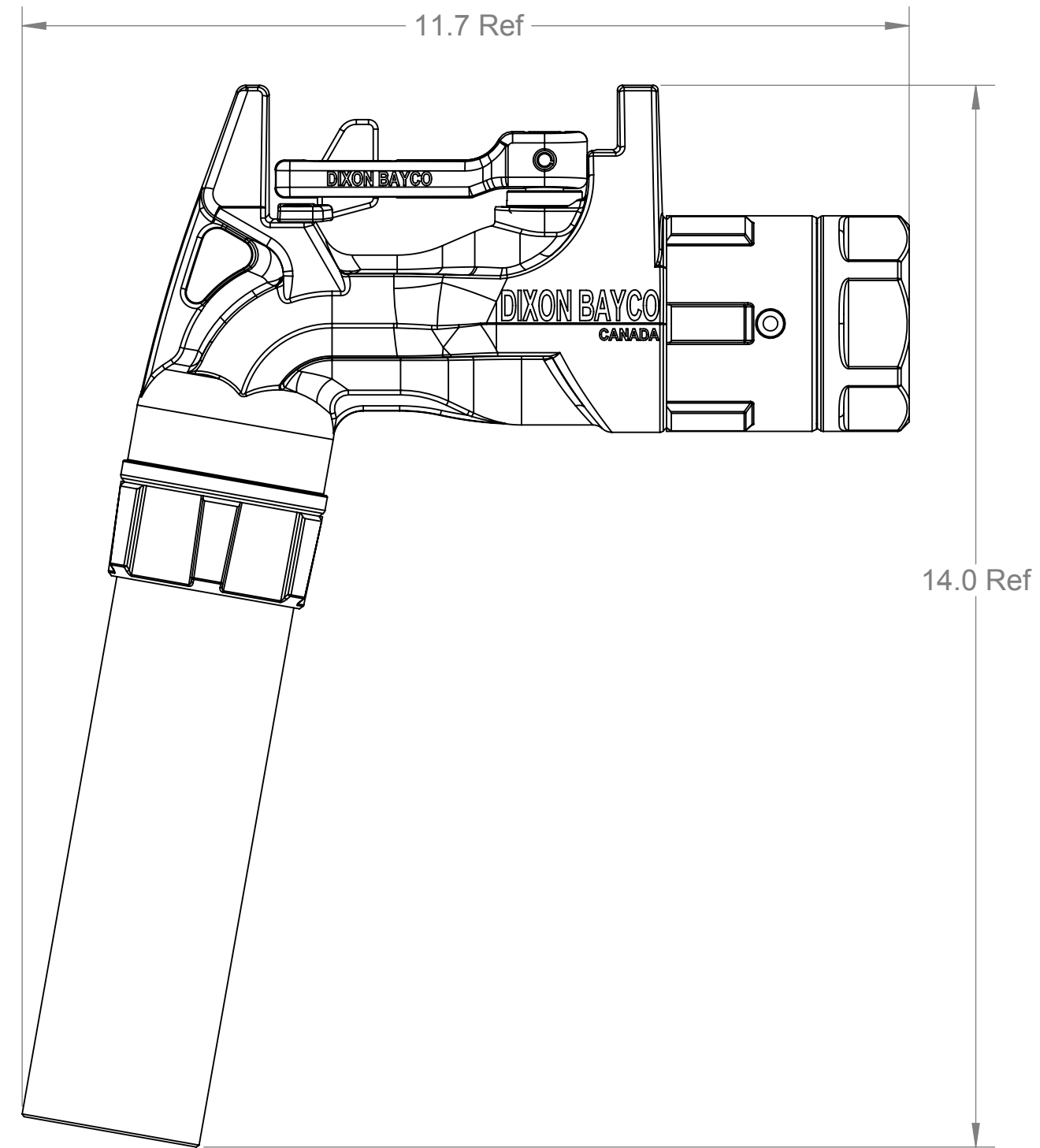
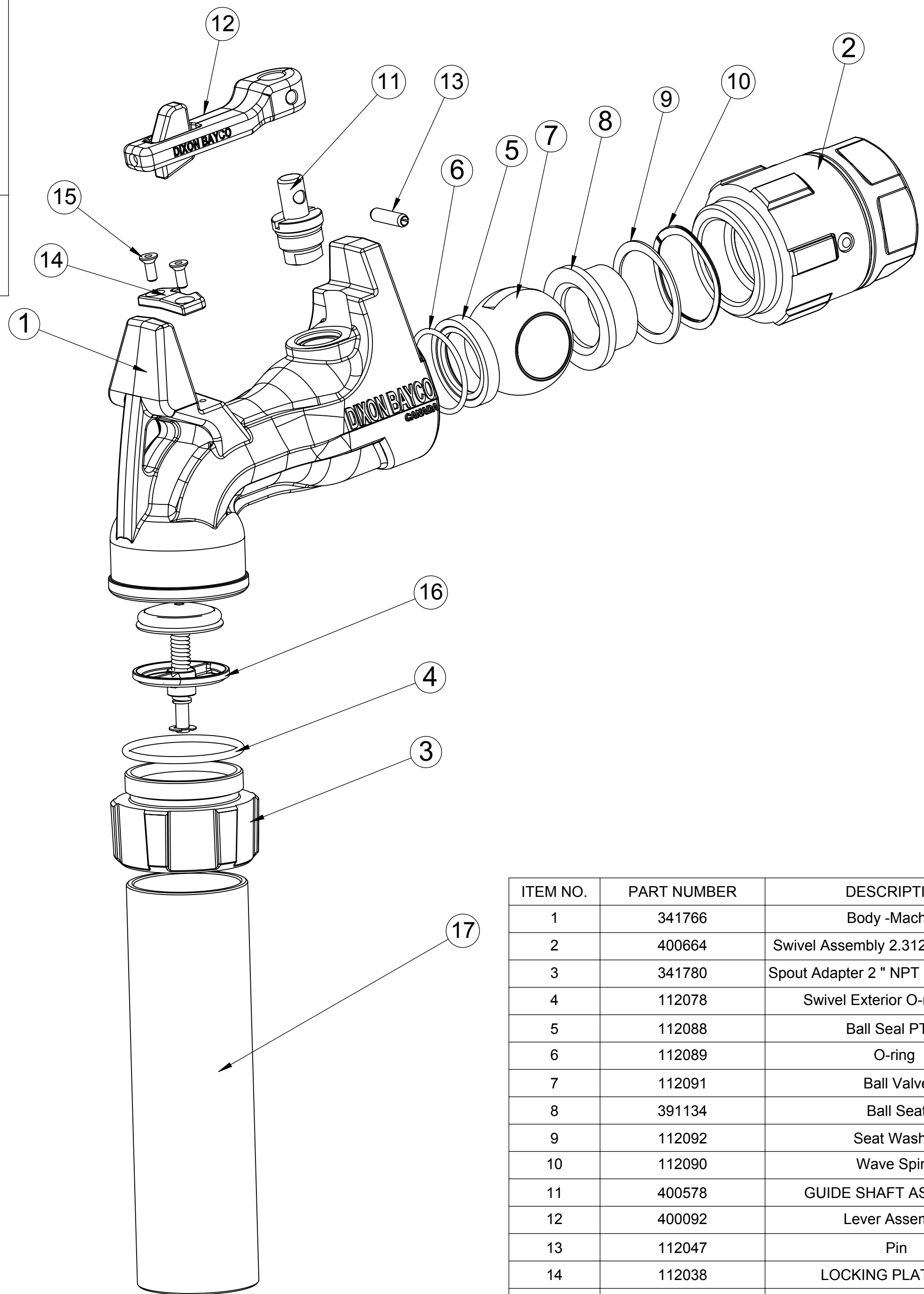


THE INFORMATION CONTAINED IN THIS DRAWING IS THE SOLE PROPERTY OF DIXON BAYCO LIMITED AND ANY REPRODUCTION IN PART OR WHOLE WITHOUT THE WRITTEN PERMISSION OF DIXON BAYCO LIMITED IS PROHIBITED.

REVISION TABLE				
REV.	ECO	DESCRIPTION	DATE	APPROVED



ITEM NO.	PART NUMBER	DESCRIPTION	Default/QTY.
1	341766	Body -Machine	1
2	400664	Swivel Assembly 2.3125UNS x 2NPT	1
3	341780	Spout Adapter 2 " NPT Female Thread	1
4	112078	Swivel Exterior O-ring 2-227	1
5	112088	Ball Seal PTFE	1
6	112089	O-ring	1
7	112091	Ball Valve	1
8	391134	Ball Seat	1
9	112092	Seat Washer	1
10	112090	Wave Sping	2
11	400578	GUIDE SHAFT ASSEMBLY	1
12	400092	Lever Assembly	1
13	112047	Pin	1
14	112038	LOCKING PLATE SST	1
15	110820	SCREW 10-24X.375, SS	2
16	400663	Check Valve Assy 3PSI	1
17	391137	SPOUT 2" NPT	1

DIMENSIONS ARE IN INCHES UNLESS OTHERWISE SPECIFIED TOLERANCES ARE: FRACTIONS DECIMALS ANGLES $\pm 1/16$.XX $\pm .03$ $\pm 1^\circ$ $.XXX \pm .010$		DIXON BAYCO LIMITED 2200 LOGAN AVE. WINNIPEG, MB. R2R 0J2 PHONE (204) 633-5650 FAX (204) 633-6119	
		TITLE BL920 BALL NOZZLE - 2" NPT IN x 2" NPT OUT	DATE Mar. 7, 2011
MATERIAL	DONE BY <i>F. Falduto</i>	APPROVALS 	REV. 0
CHECKED	SIZE C	ECO:	SHEET 1 OF 1