

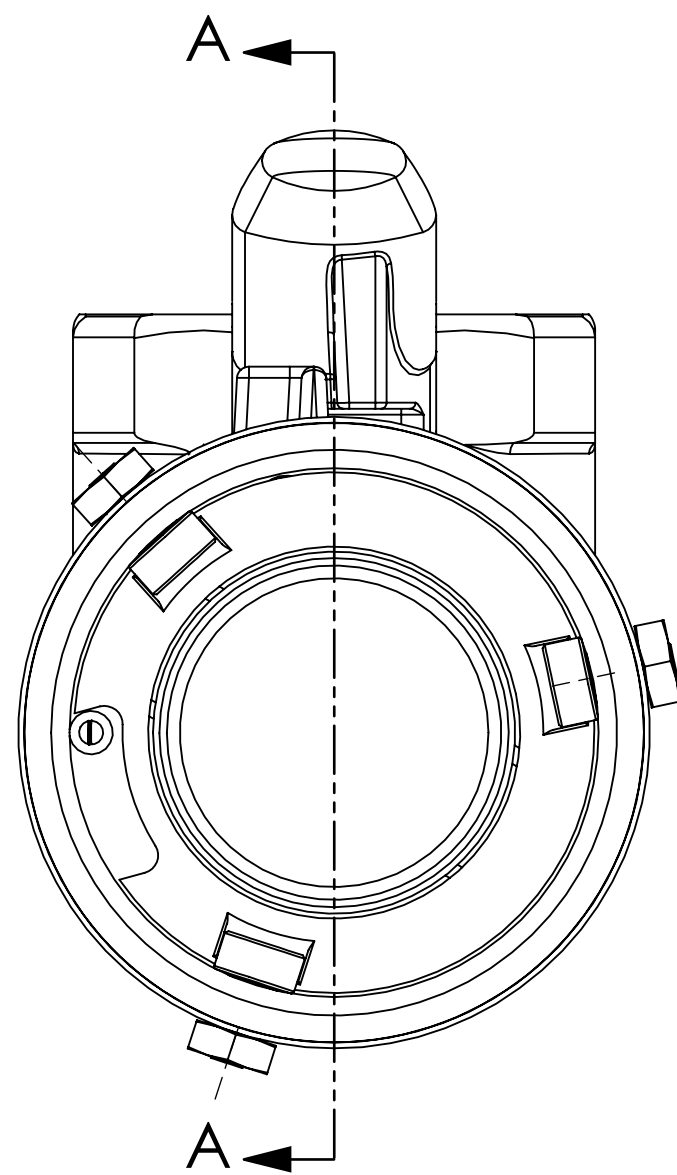
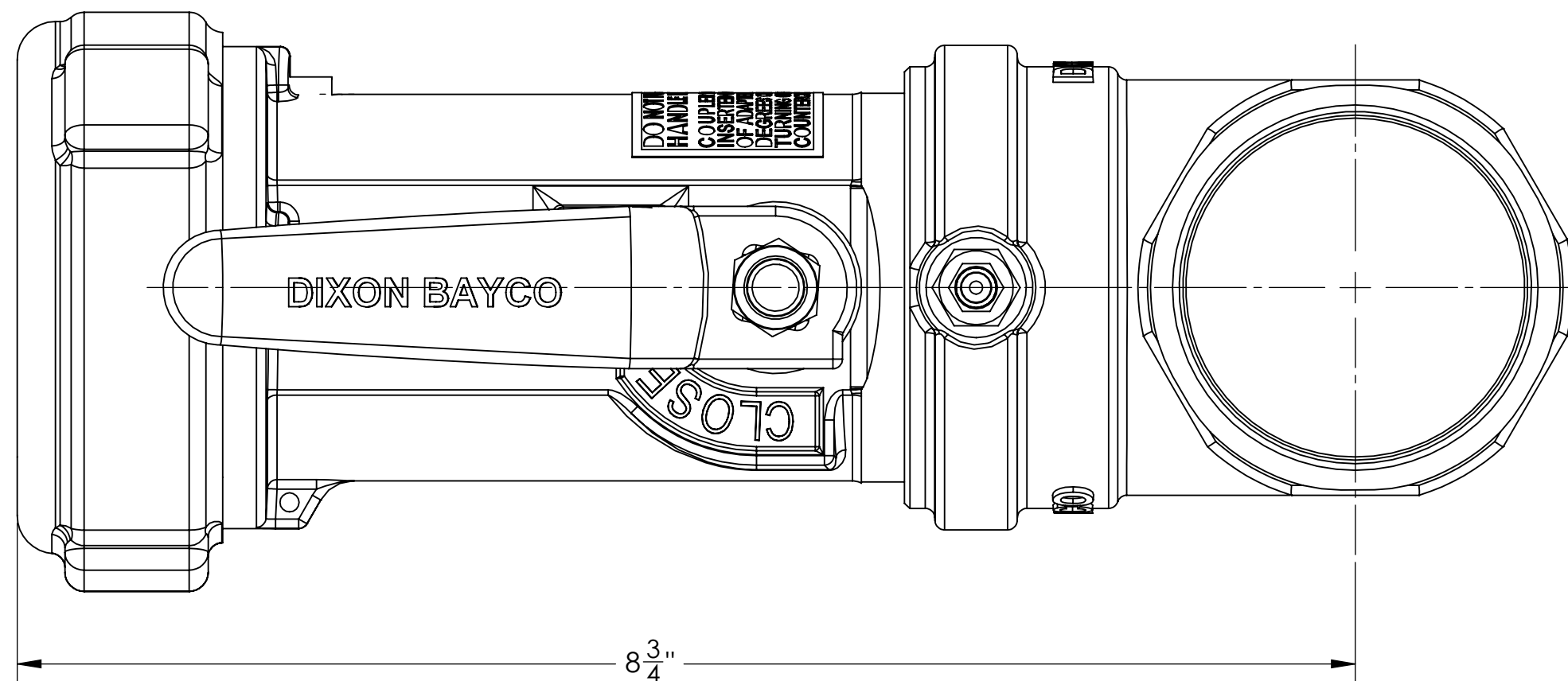
4

3

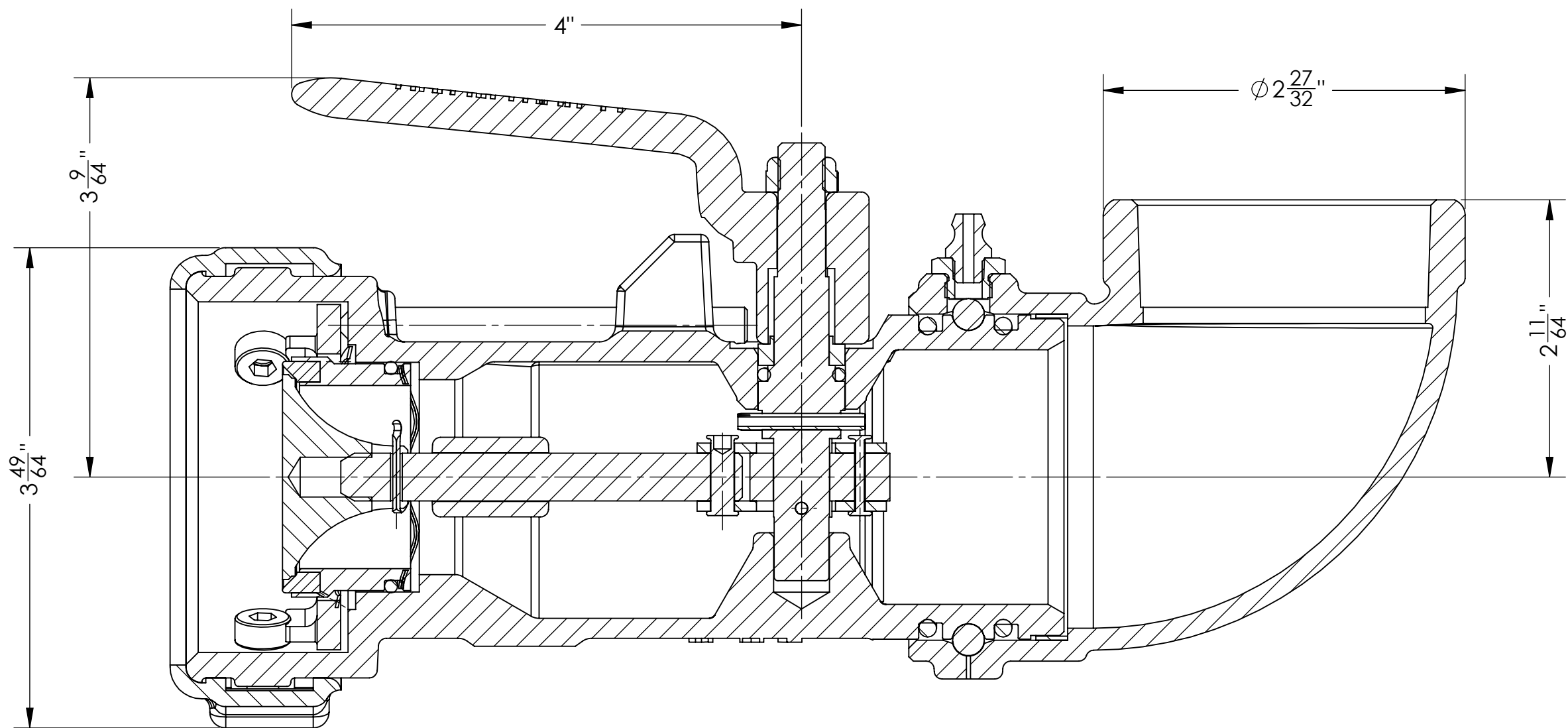
2

1

REVISIONS			
REV	DESCRIPTION	DATE	APPROVED



SHOWN WITH BUMPER RING REMOVED



SECTION A-A

Dixon Bayco USA Cincinnati, Ohio, U.S.A A DVCC Inc. Company		TITLE BS6X-200 2" BAYONET COUPLER W/ SWIVEL CUSTOMER DRAWING	
<small>THIS DRAWING IS CONFIDENTIAL PROPERTY OF DIXON BAYCO USA, A DIVISION OF DVCC AND IS SUBJECT TO RETURN ON DEMAND. © COPYRIGHT 2000 DO NOT COPY.</small>		SIZE C	DRAWN BY FAHL
<small>DIM. TOLERANCES UNLESS SPECIFIED INCHES .X +/- .050 MACHINE FRACTION +/- 1/64 .XX +/- .010 ROUGH CASTING +/- 1/32 .XXX +/- .005 SURF. FINISH 125 AA MAX ANGLES 1/2</small>		DWG NO. BS6X-200-CST	REV
SCALE FULL		DATE 10JUN2008	SHEET 1 OF 1

4

3

2

1

D

D

C

C

B

B

A

A