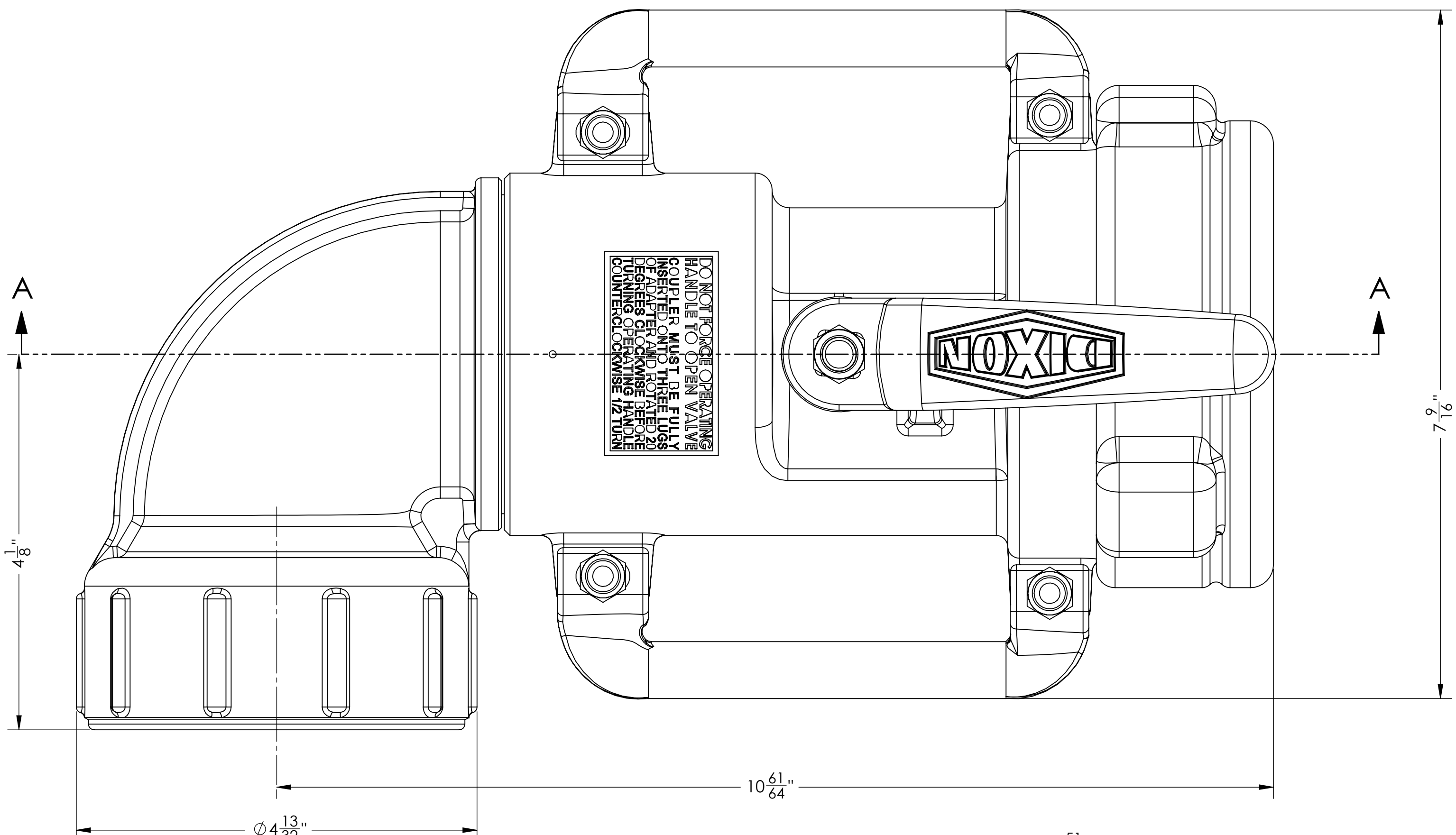
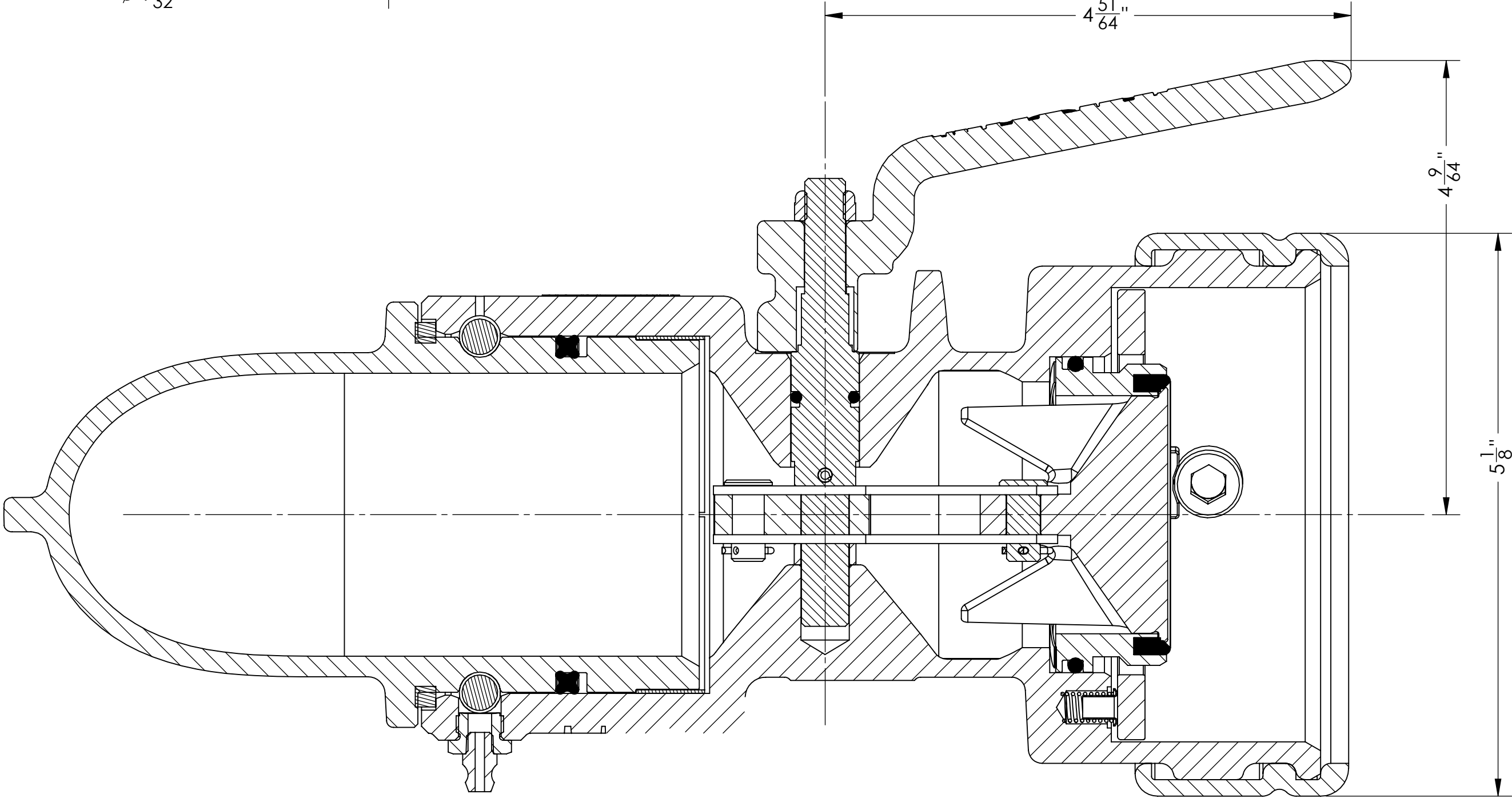


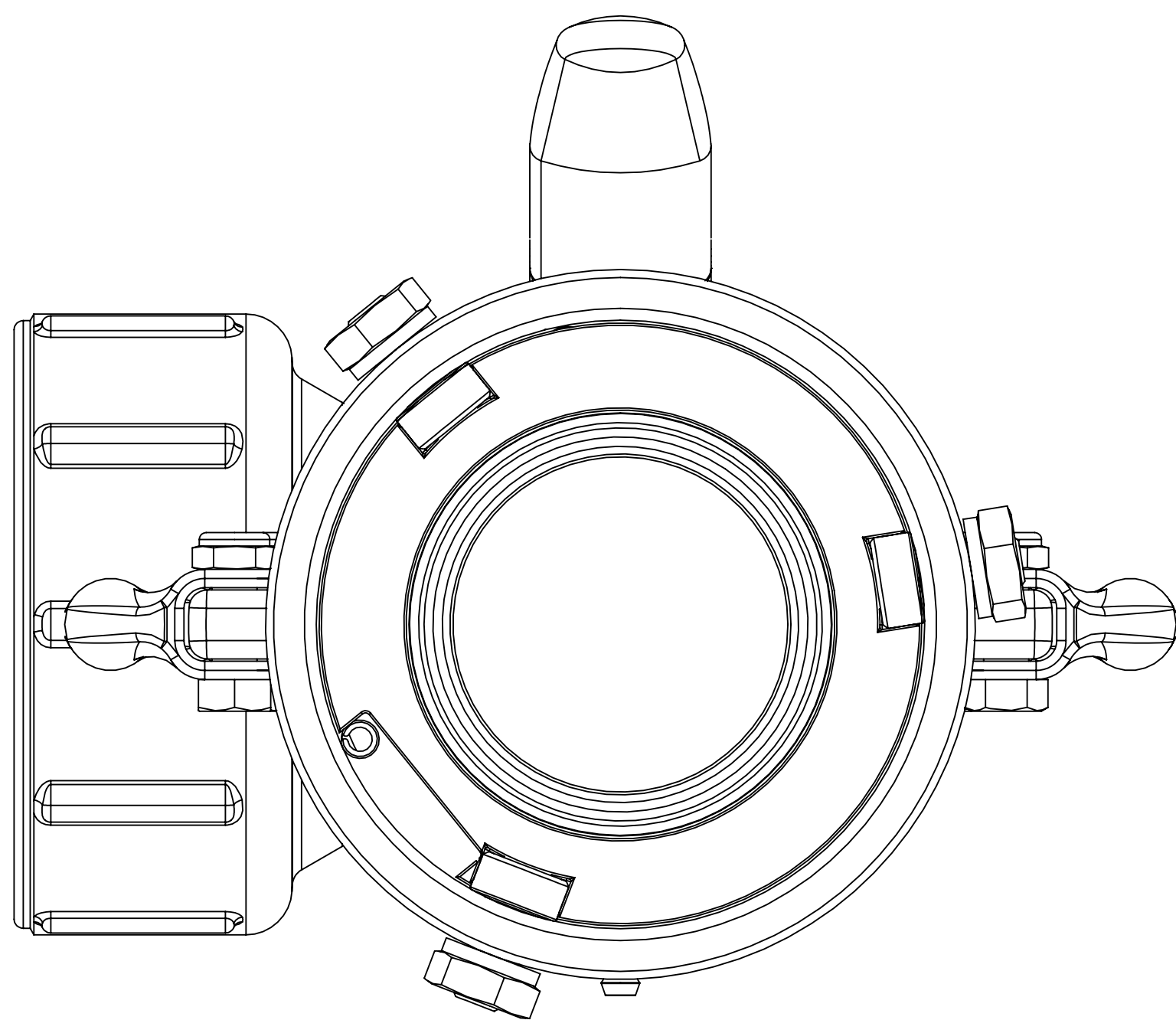
REVISIONS			
REV	DESCRIPTION	DATE	APPROVED



DO NOT FORCE OPERATING
HANDLE TO OPEN VALVE
COUPLER MUST BE FULLY
OPENED AND THEN TURNED
LEFT TO CHANGING SERVICE
POSITION. DO NOT OPERATE
HANDLE TO OPEN VALVE
UNTIL COUPLER IS FULLY
OPENED.



SECTION A-A
SCALE 1 : 1



SHOWN WITH BUMPER
RING REMOVED

Dixon Bayco USA Cincinnati, Ohio, U.S.A. <small>A DVCC Inc. Company</small> <small>THIS DRAWING IS CONFIDENTIAL PROPERTY OF DIXON BAYCO USA, A DIVISION OF DVCC AND IS SUBJECT TO RETURN ON DEMAND.</small> <small>© COPYRIGHT 2008 DO NOT COPY.</small> <small>DIM. TOLERANCES UNLESS SPECIFIED INCHES: ±.005 MACHINING FRACTION ±.004</small> <small>XXX ±.005 ROUGH CASTING</small> <small>XXX ±.005 SURF FINISH 125 AA MAX ANGLES 1:2</small>	TITLE 3" BAYONET COUPLER W/ SWIVEL CUSTOMER DRAWING		REV
	SIZE D	DRAWN BY FAHL	DWG NO. BS6X-300-CST
SCALE FULL	DATE 10JUN2008	SHEET 1 OF 1	