

4

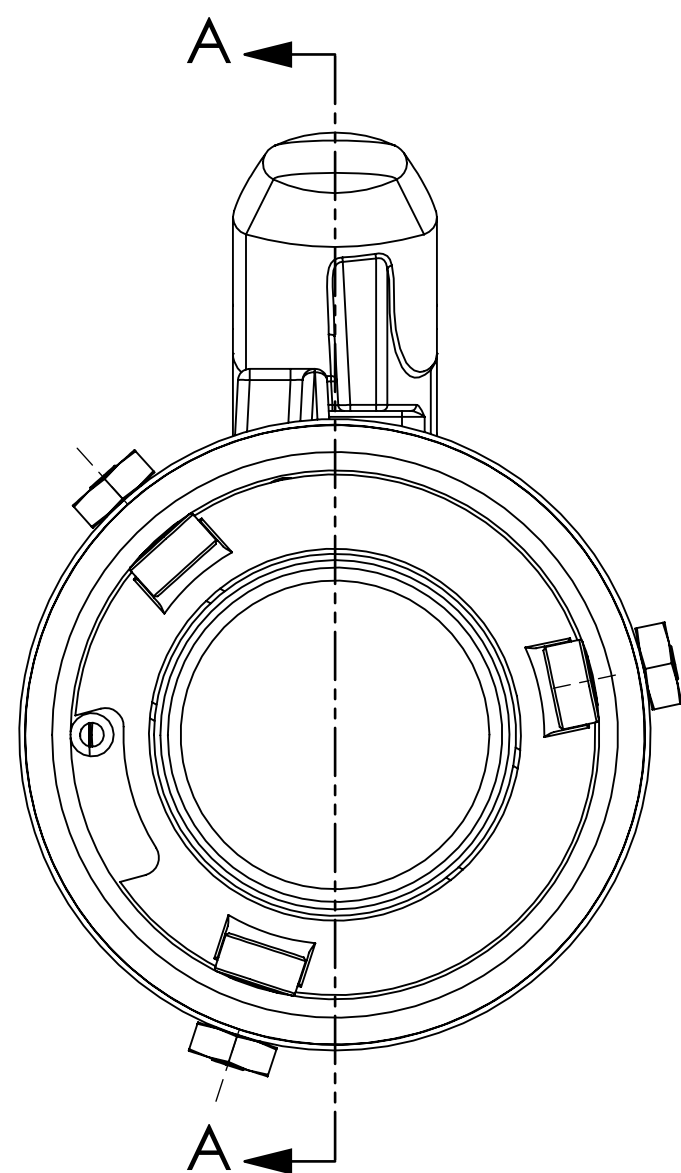
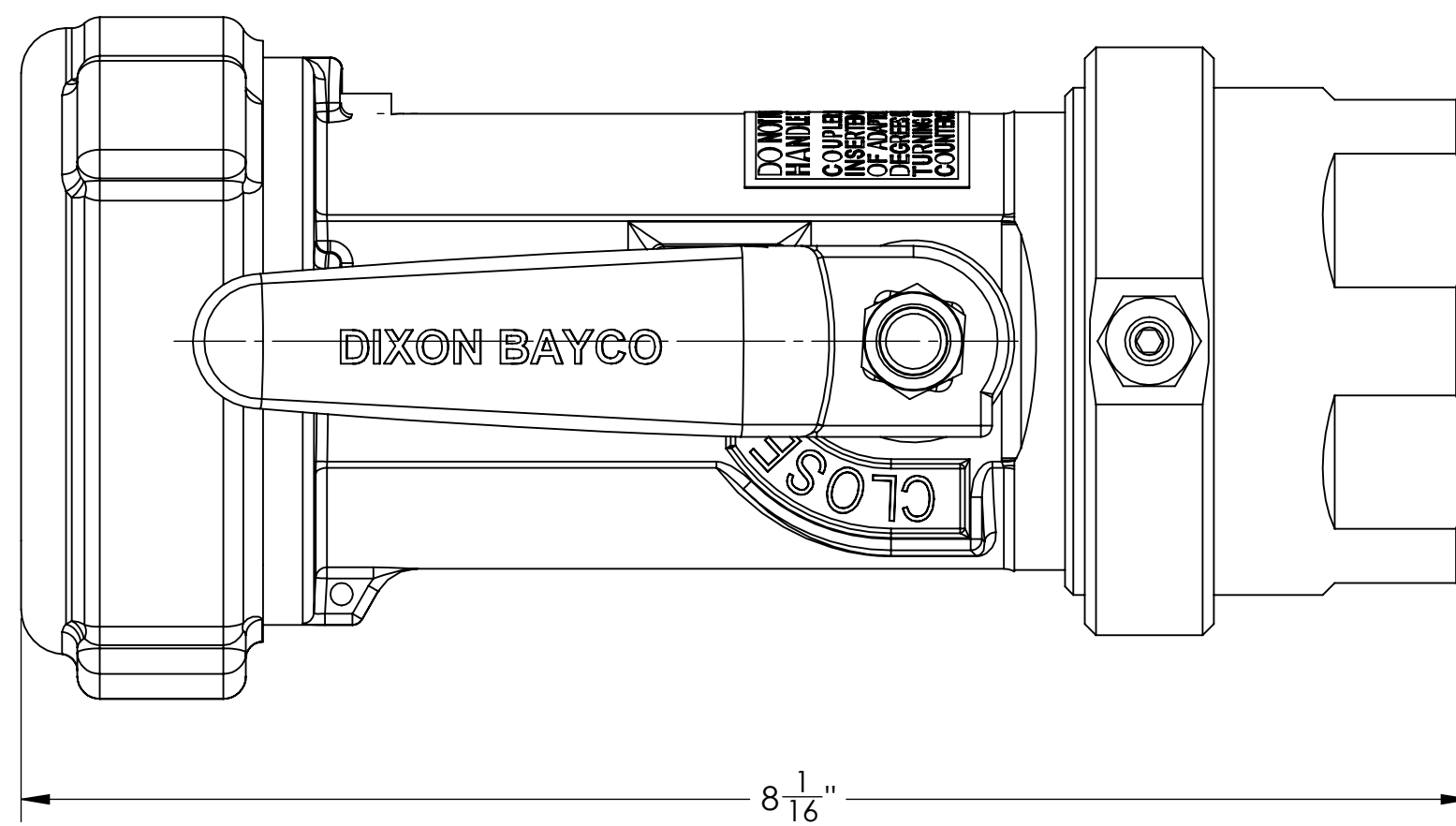
3

2

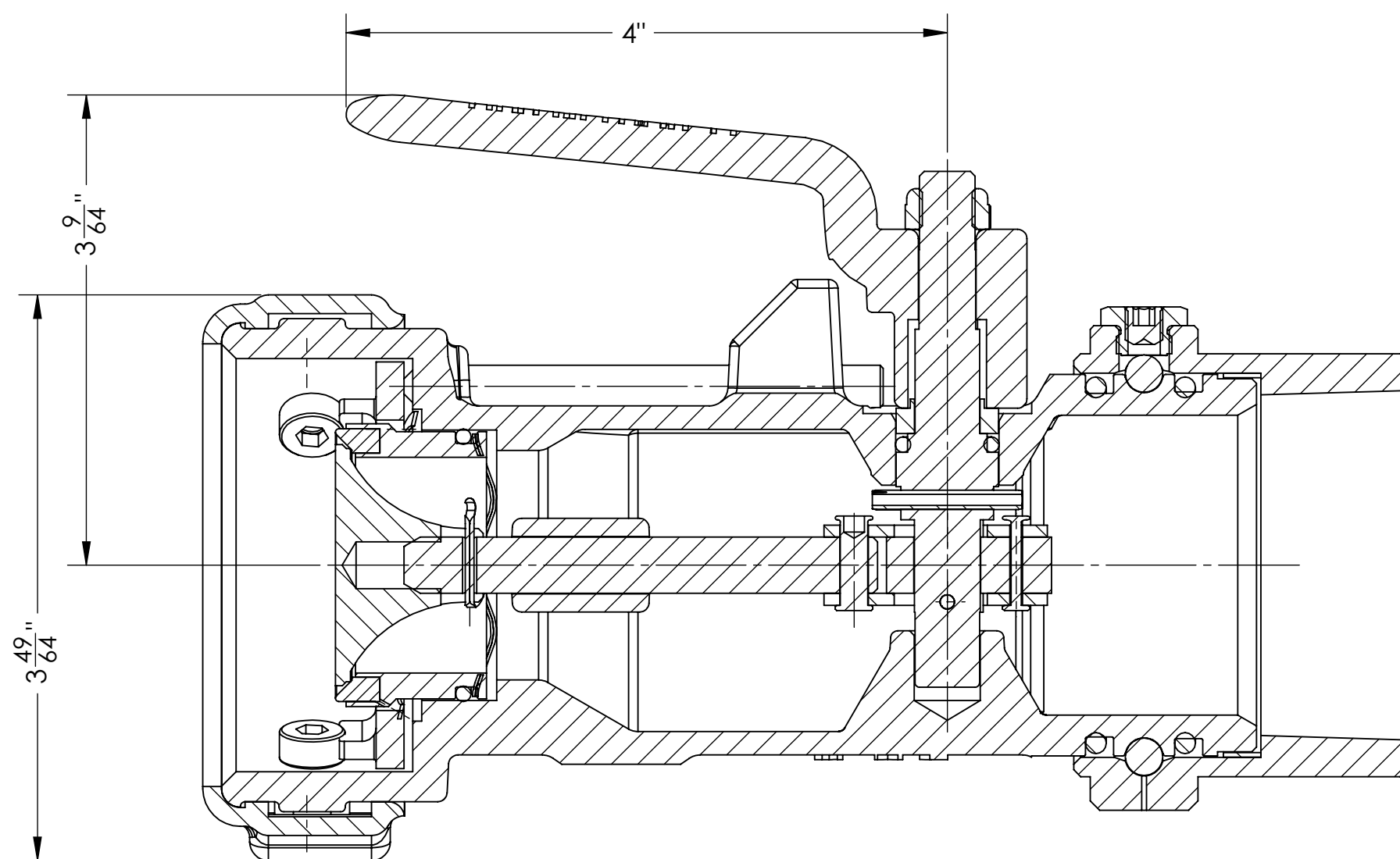
1

REVISIONS

REV	DESCRIPTION	DATE	APPROVED



SHOWN WITH BUMPER RING REMOVED



SECTION A-A

Dixon Bayco USA
Cincinnati, Ohio, U.S.A
A DVCC Inc. Company

THIS DRAWING IS CONFIDENTIAL PROPERTY OF DIXON BAYCO USA, A DIVISION OF DVCC AND IS SUBJECT TO RETURN ON DEMAND.
© COPYRIGHT 2000 DO NOT COPY.
DIM. TOLERANCES UNLESS SPECIFIED
INCHES .X +/- .050 MACHINE FRACTION +/- 1/64
.XX +/- .010 ROUGH CASTING +/- 1/32
.XXX +/- .005 SURF. FINISH 125 AA MAX
ANGLES +/- 1/2

TITLE **BSS6X-200 2" BAYONET COUPLER W/ STRAIGHT SWIVEL CUSTOMER DRAWING**

SIZE C	DRAWN BY FAHL	DWG NO. BSS6X-200-CST	REV
SCALE FULL	DATE 10JUN2008	SHEET 1 OF 1	

4

3

2

1

D

D

C

C

B

B

A

A